

PERIMETER SECURITY TRUSTED WORLDWIDE

DKS Maximum Security Systems are designed to protect the perimeter entry and exit points of the largest and most secure properties around the world. Our Maximum Security Gate Operators can be found at seaports, airports, prisons, and military bases, while our High Security Lane Barrier protects millions of dollars of inventory in dealer and rental lots domestically and abroad.

To begin with, the base of our Maximum Security Gate Operators is built solidly in order to

withstand the intense torque involved with moving thousands of pounds of gate. Our experience in the industry has taught us not to overlook this critical component — especially considering our Operators can move gates up to 160 feet long and 25,000 pounds. Not only can we move massive gates, but we can move them quickly in an emergency at a rate of 6 feet per second.

The High Security Lane Barrier not only provides a formidable barrier to unauthorized entry or exit, but the surface mount design means it can be installed virtually anywhere to effectively control traffic flow and provide superior wayfinding to drivers. Strength and versatility make this Lane Barrier one of the most cost effective Lane Barriers in the market today.

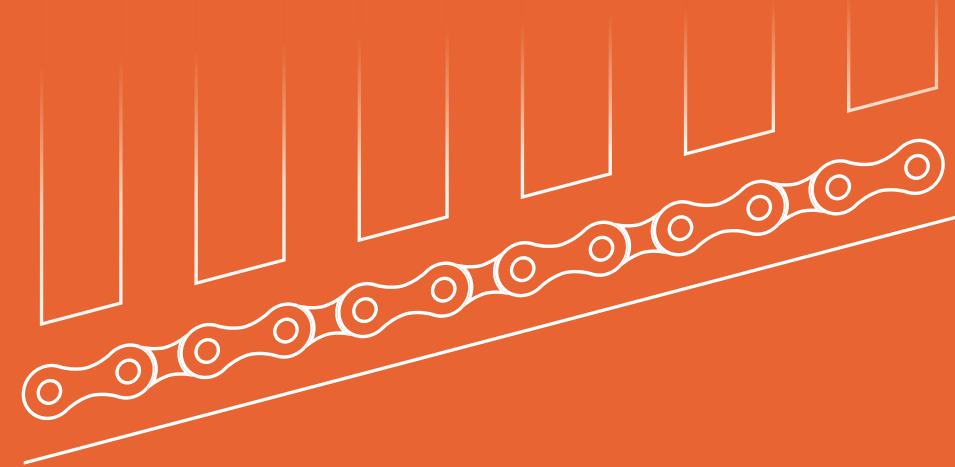


SECURE IN MORE WAYS THAN ONE

The steel enameled case with stainless steel doors and tamper-resistant door seams provide weather and vandal-resistant performance for years to come.

CHAIN-DRIVEN ENGINEERING

Eliminates any chance of slipping or intentional greasing of the wheels at the most critical access points.



STRENGTH WHERE IT'S NEEDED

Built tough to withstand the intense torque involved with moving 25,000 pound gates up to 160 feet long at variable rates.



MAXIMUM SECURITY SLIDE GATE OPERATORS 9500 SERIES HEAVY DUTY

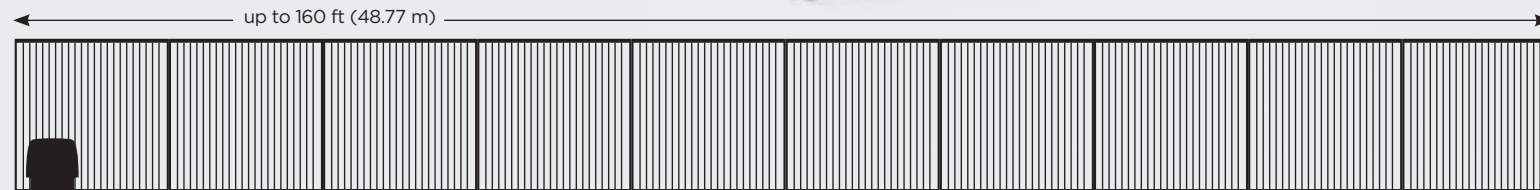
THE WORK HORSE OF MAXIMUM SECURITY WITH RACE HORSE FEATURES

DKS 9500 series of Vehicular Slide Gate Operators are designed for use on very large and very heavy gates in maximum security applications only. These Operators must never be used in applications serving the general public. These heavy duty Operators use a high tensile steel alloy roller chain as the pulling medium, which is immune to slippage and the challenges of uneven terrain — and also simplifies installation. Administrators can set the speed of the gate up to 4 ft/sec (1.2 m/sec), with an electronic braking option.



MODEL 9500
Series

MODEL 9500
10 Gauge Housing



9500 Series - Largest Gates

3 and 5 HP Slide Gates up to 160 ft (48 m), up to 28,000 lb (12,700 kg)
3 phase, 208/230/460 VAC

Model	Chain	Speed Variable	Maximum Gate Weight	Maximum Gate Length	Minimum Gate Length	Class of Operation ¹	Voltage VAC	HP	Gearbox Ratio	Magnetic Brake	Power Outlets	Loop Ports ²
9550	#100	1-2 ft/sec .3-.6 m/sec	15,000 lb ³ (6803 kg)	160 ft (48 m)	25 ft (7.6 m)	III, IV	208, 230, 460	5	30:1	Option	2	2
9555	#100	1-2 ft/sec .3-.6 m/sec	15,000 lb ³ (6803 kg)	160 ft (48 m)	25 ft (7.6 m)	III, IV	208, 230, 460	5	10:1	Standard	2	2
9570	#100	1-2 ft/sec .3-.6 m/sec	25,000 lb ³ (11,339 kg)	160 ft (48 m)	25 ft (7.6 m)	III, IV	208, 230, 460	7.5	30:1	Option	2	2
9575	#100	1-2 ft/sec .3-.6 m/sec	25,000 lb ³ (11,339 kg)	160 ft (48 m)	25 ft (7.6 m)	III, IV	208, 230, 460	7.5	10:1	Standard	2	2
9590	#100	1-2 ft/sec .3-.6 m/sec	28,000 lb ³ (12,700 kg)	160 ft (48 m)	25 ft (7.6 m)	III, IV	208, 230, 460	10	30:1	Option	2	2

1. III = Limited Access; IV = Restricted Access

2. Plug-in loop detector ports; open and reverse. DoorKing plug-in Loop Detectors only.

3. Assumes gate to be in good mechanical condition running on a level plane.



Heavy Duty



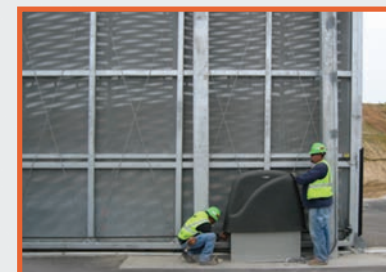
Gate Tracker™



Power to move massive gates up and down hills.

KEY FEATURES:

- Slow start and stop.
- Adjustable partial open limit.
- Selectable Stop / Reverse loop function.
- Tamper-proof direct driven limit switches for precise gate control.
- Built-in power and reset switches and 3-button control station (open-close-stop).
- 115 volt convenience outlets.
- Ports for plug-in open and reverse Loop Detectors (DKS Loop Detectors only).
- Warn-before-operate function.
- External obstruction sensing devices must be used with these operators.
- Available with 10 gauge heavy-duty steel housing.

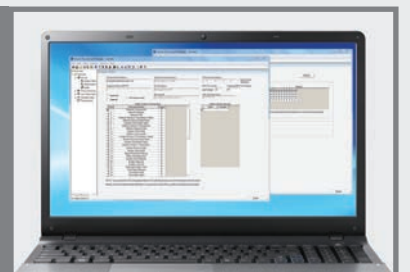


Large Gates

Moves gates up to 160 ft (48.7 m) and 28,000 lb (12,700 kg).

Gate Tracker™

Provides operator data to companion DKS Access Controller.



Limit Switches

Direct driven for precise gate control.

Adjustable Partial Open

Allows long gates to open 14 ft (4.2 m) for automobile traffic, or opens gate fully for large trucks or oversized vans.

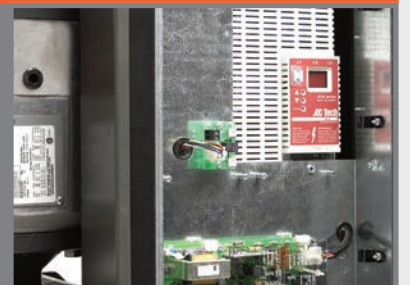


Chain Drive

Delivers a direct mechanical connection to the gate.

User Adjustable Variable Speed

Adjustable speed control circuit.



Commercial & Industrial



Maximum Security

MAXIMUM SECURITY TRAFFIC CONTROL SYSTEMS

1620 HIGH SECURITY LANE BARRIER

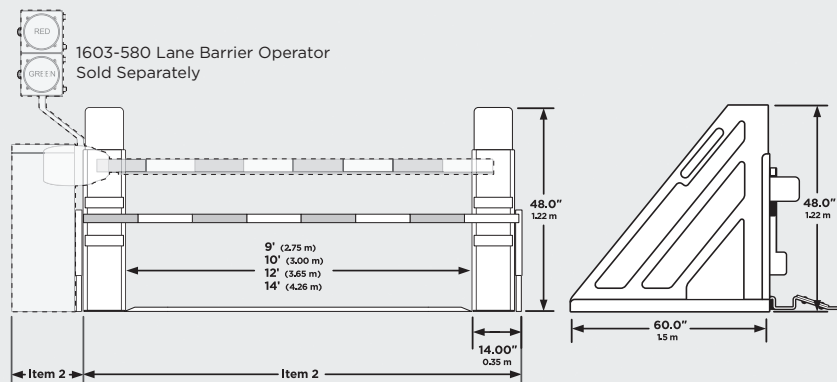
THE SWISS ARMY KNIFE OF TRAFFIC CONTROL

The DKS 1620 is comprised of the DKS 1603-580 Operator linked with the Lane Barrier Accessory System, keeping the Barrier Arm and Lane Barrier in sync to provide barrier protection and superior wayfinding — all with no separate motors or hydraulic valves to worry about. The 1620 Lane Barrier is ideal in applications where a higher degree of vehicle traffic control is desired, but without the expense of bollards, wedges or crash beams — making it ideal for apartment communities, gated condominiums, car rental agencies, parking lots and toll booths.

This Lane Barrier System is not crash rated. It is intended to provide a formidable barrier to help prevent vehicles from driving through a controlled traffic lane.



MODEL 1620
Surface Mount Lane Barrier



High Security Traffic Lanes
Maximum Lane Width 14 ft (4.3 m)

Model	Class of Operation	Lane Barrier	Available Lane Width	Overall Dimensions (Item 1 + Item 2)			Anchor Post	Base	Options
				Height	Width	Depth			
1620	II, III, IV	LED Lighted	9 ft (2.74 m)	48 in.	13 ft, 6 in.	5 ft	8 in. x 8 in. x 1/4 in. Steel (203.2 mm x 203.2 mm x 6.35 mm) 30 in. High + Cap (762 mm)	12 in. x 48 in. (304.8 mm x 1219 mm) 1/2 in. Steel (12.7 mm) 8 Anchor Points	Red/Green Traffic Signal
			10 ft (3.0 m)	48 in.	14 ft, 6 in.	5 ft			
			12 ft (3.66 m)	48 in.	16 ft, 6 in.	5 ft			
			14 ft (4.27 m)	48 in.	18 ft, 6 in.	5 ft			

* The 1620 Lane Barrier is not a stand-alone product. It must be used with a Model 1603-580 Lane Barrier Operator (sold separately). The 1620 is not crash rated. It is intended to provide a more formidable barrier in conjunction with a standard Barrier Arm Operator System. The 1620 is ideally used with passenger vehicles and light-duty trucks.



Ideal in applications where a higher degree of vehicle traffic control is desired, but without the expense of bollards, wedges or crash beams.

KEY FEATURES:

- Surface mount for quick, easy installation.
- Integrated Lighted Barrier Arm and Lane Barrier for high visibility.
- Fast speed — raises and lowers in less than 2 seconds.
- Simple mechanical linkage to DKS 1603-580 Lane Barrier Operator keeps Barrier Arm and Lane Barrier in sync — no separate motors or hydraulic valves to worry about.
- Available for lane widths of 9, 10, 12 and 14 ft (2.74, 3.0, 3.66, 4.27 m).
- System includes red/green Traffic Control Signal, and Type B1 Entrapment Prevention Photo Eye.
- Red (down) / Green (up) LED Lighted Barrier Arm for high visibility.
- Installs for thousands of dollars less than crash rated systems.

<p>Internal 4-Ply Nylon Strap</p> <p>Provides 22,000 lb capacity.</p>	<p>Steel Barrier Arm</p> <p>Rotates into surface mount speed bump for easy vehicle entrance</p>	
<p>Installs Where It's Needed</p> <p>Surface mount design means it installs for thousands of dollars less than crash rated systems.</p>	<p>Lighted Top Arm</p> <p>Increases visibility and safety for improved wayfinding.</p>	
<p>Octagonal Barrier Arm</p> <p>Barrier Arm and Post are synchronized for visual and physical breach prevention.</p>	<p>Heavy Duty</p> <p>Reinforced steel helps prevent vehicle barrier runners.</p>	

