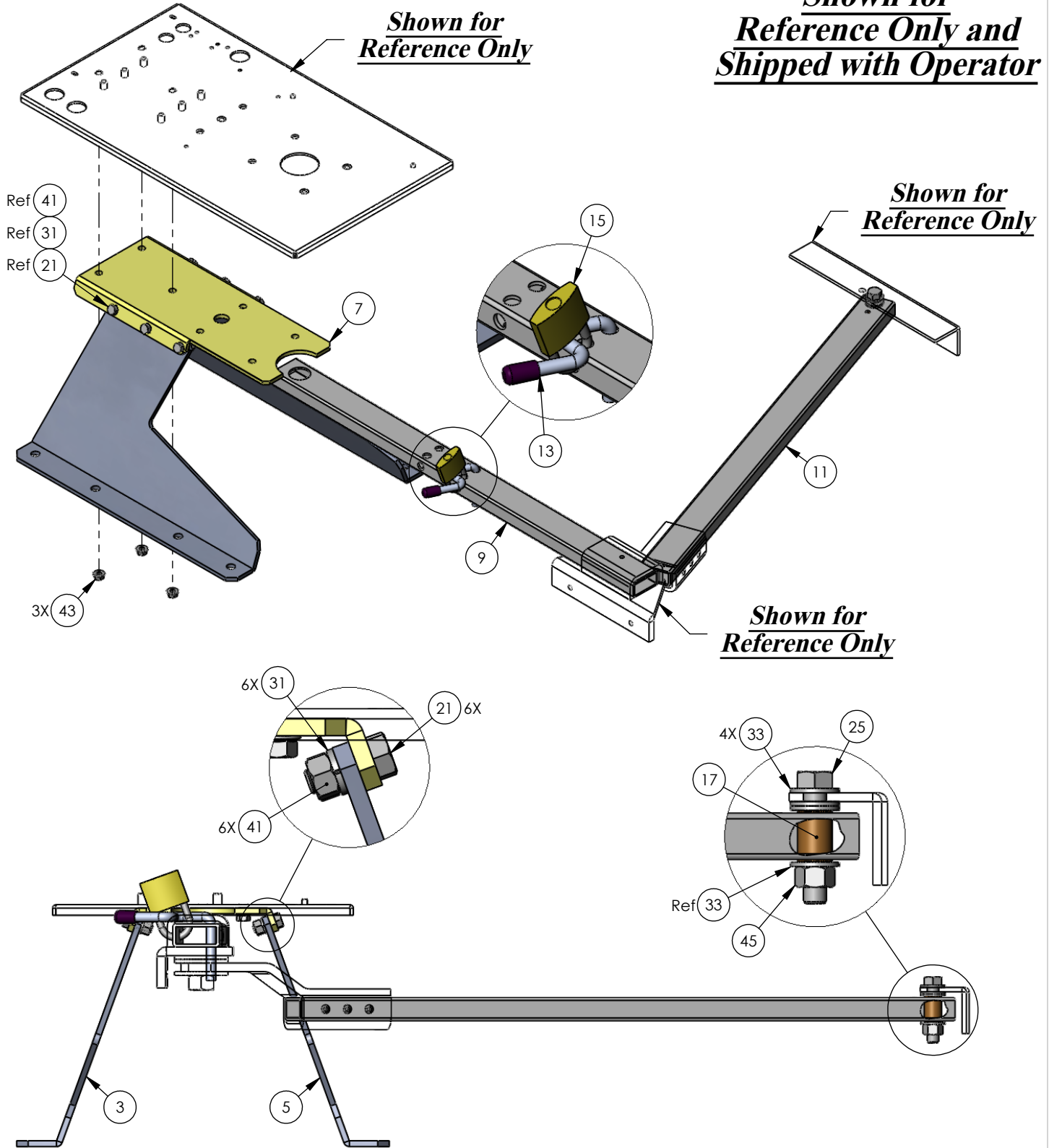


REVISIONS


REV	DESCRIPTION	DATE	APPR
C	Added Item 1 (IPB); Deleted: 2620-030, 2615-055, 2620-019, 1514-020.	Scal 10/22/08	D.C. 10/22/08

**Shown for Reference Only and Shipped with Operator**



1. See attached reference sheet for BOM Reference Movex 2600-671 Rev C.

Notes: Unless Otherwise Specified

<b>PROPRIETARY AND CONFIDENTIAL</b>		NAME	DATE	 <b>IPB-Pad Mount, 2600-671</b> <b>6050/6100 Swing Gate Operator</b> SIZE <b>A</b> DWG <b>6100-871</b> REV <b>C</b>
THE INFORMATION CONTAINED IN THIS DRAWING IS THE SOLE PROPERTY OF Door King. ANY REPRODUCTION IN PART OR AS A WHOLE WITHOUT THE WRITTEN PERMISSION OF Door King IS PROHIBITED.		Scal	10/23/08	
		CHECKED		
		COMMENTS:		
		SCALE: 1:24		SHEET 1 of 2

**IPB 6100-871 Rev C**  
**(Model and Movex No. 2600-671 Rev C)**

**10/23/2008 1:25 PM**

<b>Item</b>	<b>Part Number</b>	<b>Qty</b>	<b>UM</b>	<b>Description</b>	<b>REV</b>
1	6100-871	1	EA	IPB-Pad Mount 6050/6100 Swing Gate Operator	C
3	2600-781	1	EA	Left Leg Plated 6050/6100	
5	2600-780	1	EA	Right Leg Plated 6050/6100	
7	2600-782	1	EA	Base Plated 6050/6100	
9	2600-716	1	EA	Crank Arm Model 610 605 Blk	
11	2600-714	1	EA	Connecting Rod 1" x 2" x 60"	
13	2600-179	1	EA	Release Handle 6050,6100,6300	
15	2600-767	1	EA	Lock Padlock Brass B745C	
17	2600-054	1	EA	Spacer 3/4 OD x 1/2 ID x 1 1/8 L	
21	2615-052	6	EA	Bolt Hex Head 3/8-16 x 1	
25	2615-084	1	EA	Bolt Hex Head 1/2-13 x 2 1/2	
31	2620-047	6	EA	Lockwasher 3/8	
33	2620-021	4	EA	Washer 1/2 SAE	
41	2620-405	6	EA	Nut Hex 3/8-16	
43	2620-411	3	EA	Nut Hex Flange Lock 5/16-18	
45	2620-320	1	EA	Nut Center Lock 1/2-13	
50	6100-067	1	EA	Manual	