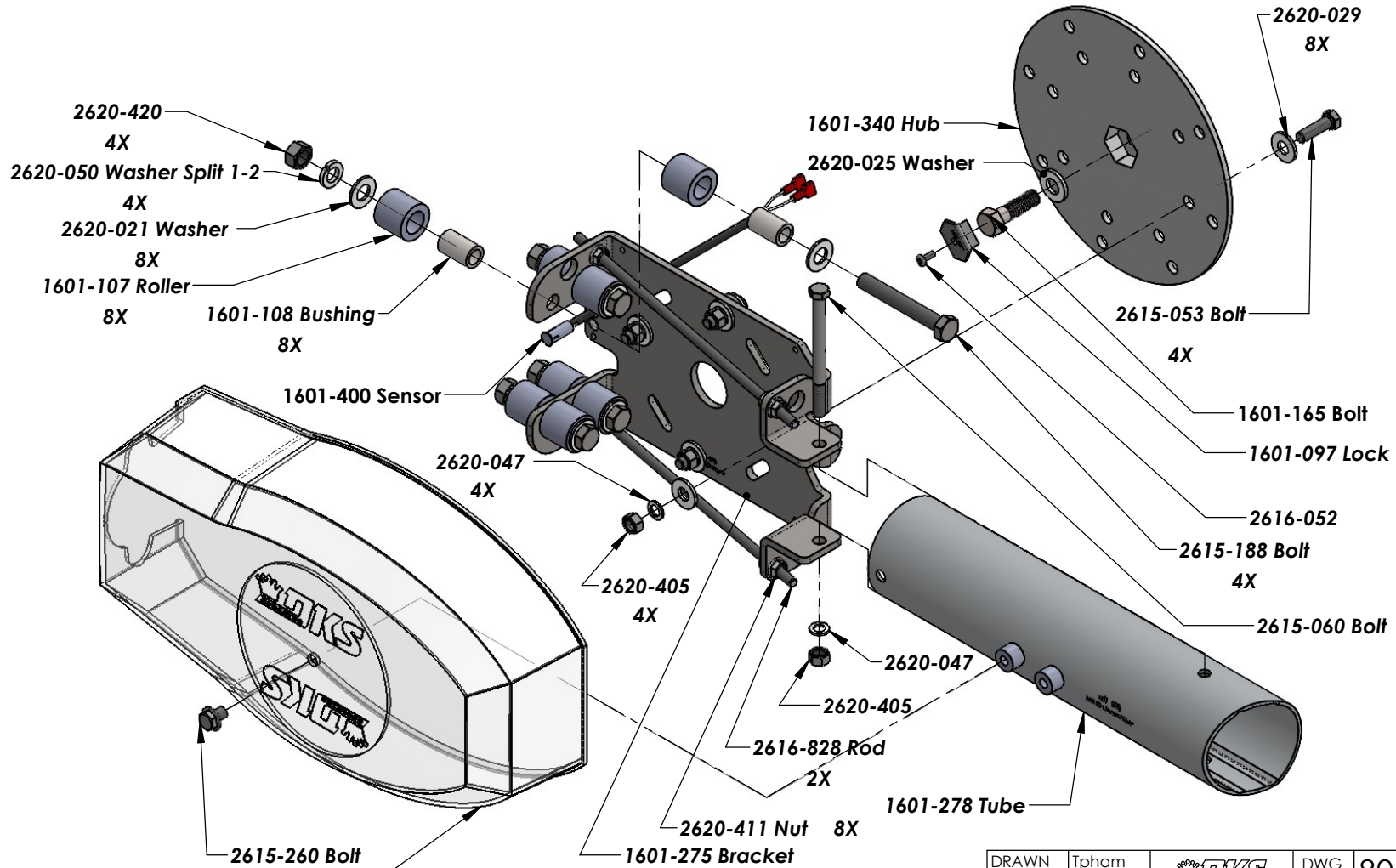
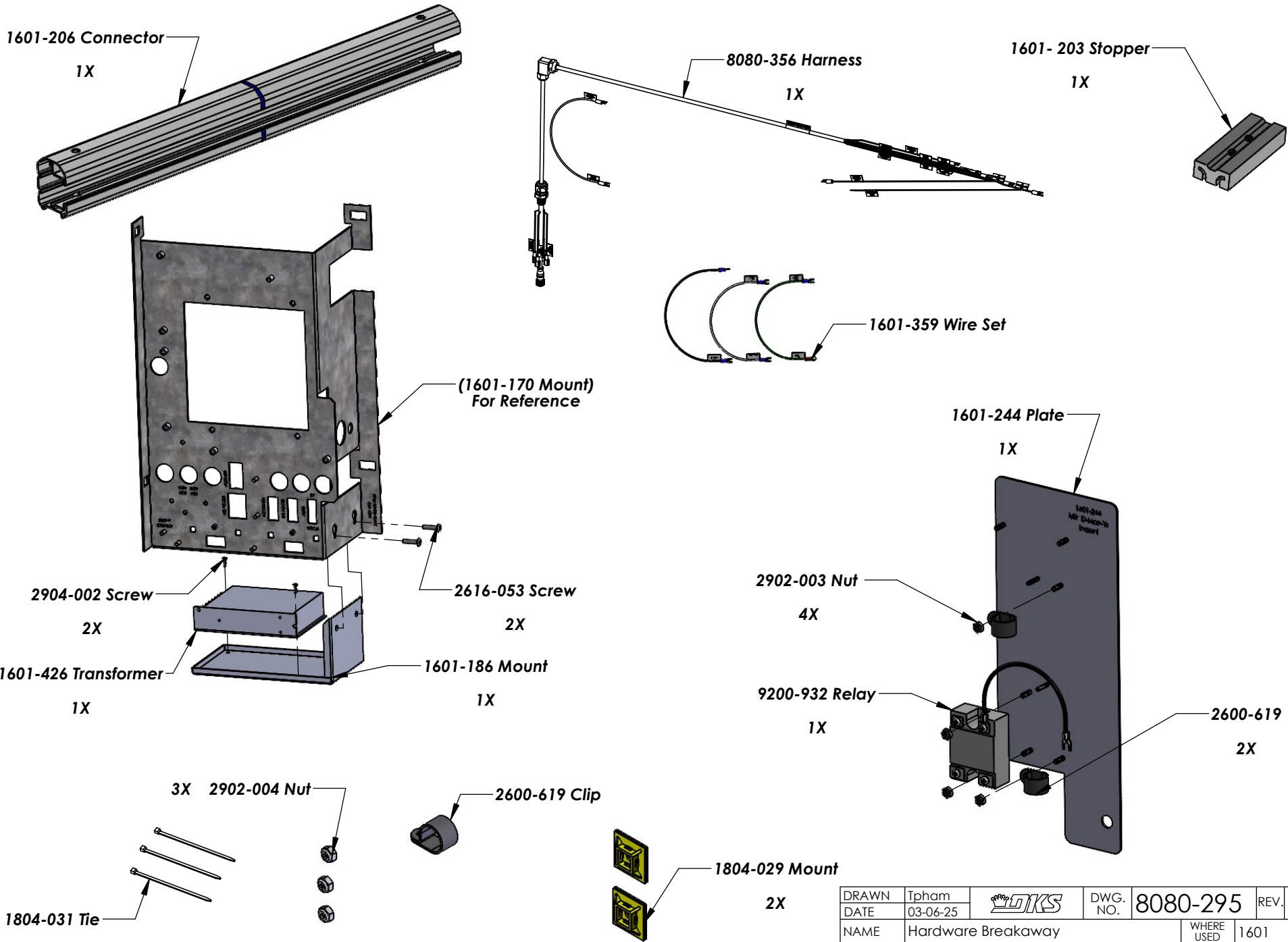


REVISIONS			
REV.	DESCRIPTION	DATE	APPROVED
A	New kit: 8080-295 replaced 1601-295	03-06-25	Tpham



DRAWN	Tpham		DWG. NO.	8080-295	REV.	A
DATE	03-06-25		WHERE USED	1601		
NAME	Hardware Breakaway					
PROPRIETARY & CONFIDENTIAL: The information contained in this drawing is the sole property of Doorking, Inc. Any reproduction in part or as a whole without written permission of Doorking, Inc. is prohibited.						
DO NOT SCALE TO DRAWING	SHEET SIZE	A	SCALE: 1:16	SHEET 1 OF 2		



DRAWN	Tpham		DWG. NO.	8080-295	REV.	A
DATE	03-06-25		WHERE USED	1601		
NAME	Hardware Breakaway		DO NOT SCALE TO DRAWING			
SHEET SIZE		A	SCALE: 1:16	SHEET 2 OF 2		

PROPRIETARY & CONFIDENTIAL: The information contained in this drawing is the sole property of Doorking, Inc. Any reproduction in part or as a whole without written permission of Doorking, Inc. is prohibited.