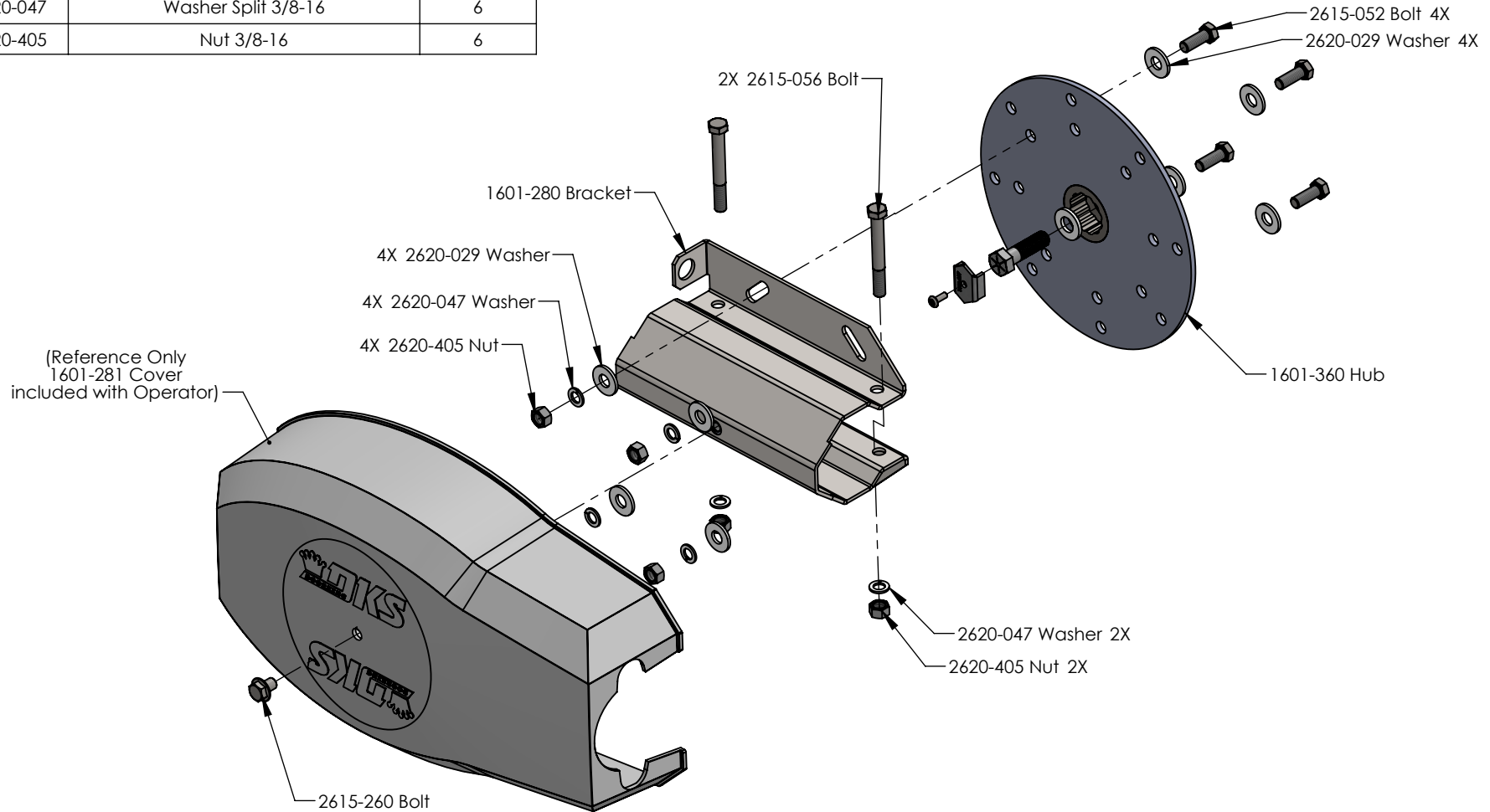


PartNo	Description	QTY.
1601-280	Aluminum Arm Bracket	1
1601-360	Hub Steel Kit	1
2615-052	Bolt Hex 3/8-16 x 1.0	4
2615-056	Bolt Hex 3/8-16 x 3.0	2
2615-260	18-8 SS Flange Head Cap Screw 3/8"-16 Thread, 1/2" Length, Fully Threaded	1
2620-029	Washer 3-8 ID USS	8
2620-047	Washer Split 3/8-16	6
2620-405	Nut 3/8-16	6

REVISIONS			
REV.	DESCRIPTION	DATE	APPROVED
F	Updated IPB to match with new part numbers: 1601-360 hub steel kit replaced: (1601-079, 1601-165, 1601-097, 2616-052)	12/14/2023	Tpham



DRAWN	Tpham		DWG. NO.	1601-242	REV.	F
DATE	11/27/19		WHERE USED	1601		
NAME	Hardware for Octagon Arm and Edge					
<b>PROPRIETARY &amp; CONFIDENTIAL:</b> The information contained in this drawing is the sole property of DoorKing, Inc. Any reproduction in part or as a whole without written permission of DoorKing, Inc. is prohibited.						
DO NOT SCALE TO DRAWING		SHEET SIZE	A	SCALE: 1:20	SHEET 1 OF 1	