



2108 eVolve

VIDEO ENTRY SYSTEM



2108 eVolve
Surface Mount

Voice or Video calling and access management from anywhere with the DKS Cloud

- The 2108 eVolve is our most advanced and versatile Video Entry System, allowing the homeowner or system users the ability to grant entry to guests even from thousands of miles away.
- The 2108 features Video or Voice calls in a broadcast mode for up to 4 phones simultaneously when the call button is pushed.
- Available with built-in paper directory for 12 names
- The 2108 control dashboard is browser based, so all that's needed is an internet connection and a web browser to access Entry System settings such as users, access time zones, entry codes and more.
- Residents can quickly grant guests access from their home phone or smartphone.
- Able to control up to three entry points, the 2108 eVolve operates with an internet connection or an optional cellular connection.

Internet Connection - Wired or Wireless



NEW eVolve Technology Inside



Wireless Cellular Connection Option
Used if an internet connection is not possible.



Internet Connection
Use your existing internet connection for easy Plug & Play connectivity



Live Video Streaming
Users with the DKS video calling app downloaded to their smartphone are able to communicate with guests via video stream



Voice Communication
Talk to guests at a front door or gate from any telephone in the home, or mobile phone



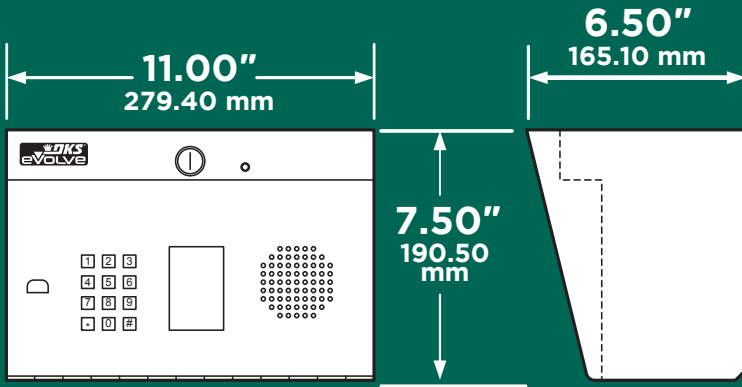
Broadcast Calling
Access requests from the call button can ring up to 4 phones simultaneously.



Control from Any Device, Anywhere
Administrators can access system settings from any browser via the cloud.



2108 eVolve VIDEO ENTRY SYSTEM



2108 eVolve

Surface Mount
w/Directory

MODEL	2108
PHONE NUMBERS	10 Residents, four (4) phone numbers per resident
ENTRY CODES ¹	Programmable to four (4) or five (5) digits
RELAYS	Three (3) Type C

1. Entry codes grant access when entered on the system keypad

TECHNICAL FEATURES

PROGRAMMING/USER FEATURES

Programming via Internet Browser using a laptop, tablet or smartphone

DKS Video Calling app

All programming is shared in the cloud

Updates show as they occur

CONNECTIVITY NETWORK CONNECTION

User provided Internet connection required

Standard Residential Package Registration is required

CONNECTIVITY CELLULAR CONNECTION

Cellular connection available if Internet connection is not possible. Additional cellular connection fee applies.

FEATURES

Cloud Based system

Built-in IP Camera for Video Calling

Broadcast Calling (up to four numbers simultaneously)

10 Residents, maximum of four (4) phone numbers per resident

Entry codes can be set to either four (4) or five (5) digits

Do Not Call schedule

Hold Open schedule for each relay

Entry Code schedule

Relay (Door/Gate) Status: Closed - Open - Held Open

Each relay (Entry Point) can be named

Independent relay strike times

Relay (Door/Gate) control: Close - Open - Hold Open

ELECTRICAL/MECHANICAL

16VAC, 20 VA transformer provided

12VDC Backup power input

Three (3) Form C relays, 1A max

Back Lighted Metal Keypad

Back Lighted Metal Push to Call button

Stainless Steel Faceplate

Galvanized Steel sub plate

MISCELLANEOUS

Environmental: 10°F to 145°F (-12°C to 62°C)

Shipping weight approximately 15 lb (7 kg)

FCC (US) DUF6VT-12874-OT-T
DOC (CAN) 1736 4528 A

DoorKing®, Inc.

Access Control Solutions since 1948



120 S. Glasgow Avenue,
Inglewood, California 90301 U.S.A.
Tel: 310-645-0023 FAX: 310-641-1586
www.doorking.com

© 2024 All Rights Reserved.
Product specifications may
change without notice. Rev. 7/24



MEMBER:



DISTRIBUTED BY:

