

# 1834 90 SERIES

## TELEPHONE ENTRY SYSTEM



**Best suited for applications requiring control of a single door or gate and in applications where card readers or other expansion options are not required**

- Provides both resident and visitor access control into apartment buildings, gated communities, condominiums, office buildings, factories and industrial sites
- Built-in electronic directory
- Large, easy-to-use A-Z-CALL buttons
- Program from the DKS Cloud (requires DKS connection service subscription) with your laptop or tablet or from your dedicated PC using the Remote Account Manager software (free download at [doorking.com/software](http://doorking.com/software)).
- Voice and data programming connection via cellular, internet, or copper POTS lines
- 2-Year limited factory warranty

Shown with 10 Gauge Stainless Steel Hood sold separately



**Voice and Remote Programming**  
use DKS service options for connection and programming

**One Box That Mounts Anywhere**



**Optional**  
internal TCP / IP for internet connection



**Internal LED**  
lit keypad and A-Z-CALL buttons



**DKS Cloud Programming**  
available with DKS Cellular, VoIP Internet or IM Server subscriptions.



**Surface**



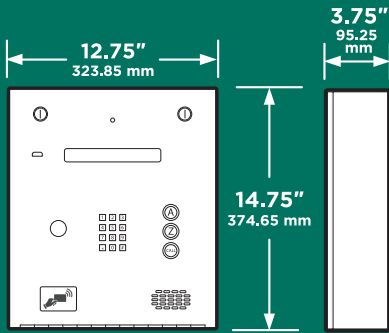
**Flush**  
shown with trim ring sold separately



**Post**

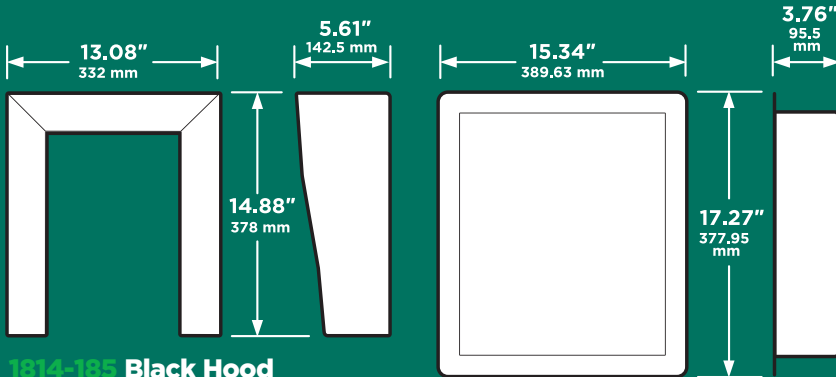


# 1834 90 SERIES TELEPHONE ENTRY SYSTEM



## 1834 90 SERIES

### OPTIONAL MOUNTING ACCESSORIES



1814-185 Black Hood

1814-180 Stainless Steel Hood

1814-200 Stainless Steel Flush Mount Kit

## 1834 90 SERIES

PHONE # MEMORY	3000 Phone Numbers, 255 Area Codes
ENTRY CODES	3000 (4-digit)
DEVICE CODES	0
DOOR CONTROL	2 Entry Points
DIRECTORY	Single-Line 20-Character Super-Twist LCD Display (1/2 inch characters)
ELEVATOR CONTROL	No
PROGRAMMING	DKS Cloud or a PC with Remote Account Manager Software*
TRANSACTION BUFFER	8000 Events

\* DKS Remote Account Manager Software for PC is available as a free download at [doorking.com/software](http://doorking.com/software). Cloud Account Manager Programming is available at [doorking.com/easy-connect/programming/cloud](http://doorking.com/easy-connect/programming/cloud)

## TECHNICAL FEATURES

### MECHANICAL

- Stainless steel faceplate
- Galvanized steel sub-plate
- Metal internally-lit LED keypad and A-Z-CALL buttons
- Offset speaker holes for protection
- Built-in postal lock provision
- Flush mount requires flush mounting kit
- Stainless steel & black 10 gauge hood available
- Enclosures are rated NEMA 4x
- Internal provision for TCP/IP adapter (1830-185, 1830-186 only)
- Space for optional LCD heater

### CONNECTION OPTIONS<sup>1</sup>

- Cellular *powered by AT&T 4G LTE*
  - Internet *select DK VoIP or your own VoIP provider*
  - POTS *Plain Old Telephone Service<sup>2</sup>*
1. Connection options noted will incur additional cost for required hardware and/or service subscriptions. DKS Cloud programming included at no charge with DKS connection subscriptions.
  2. POTS connection is not recommended for programming as modem communications can no longer be guaranteed.

### SPECIFICATIONS

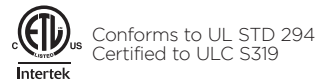
- 16 VAC (2 Power Transformers included)
- Full duplex hands-free voice communication
- Programmable directory codes (1 to 4 digits)
- 10 & 11-digit dialing capability
- Built-in clock / calendar
- Live Transactions feature (requires TCP / IP internet connection or RS-232 connection)

### MISCELLANEOUS

- Environmental: 10° F to 145° F (-12° C to 62° C)
- Heater Kit (P/N 2600-584) Recommended when temperatures routinely fall below 35° F (1.6° C)
- Optional high-resolution camera kits *additional CCV equipment and cabling required*
- Shipping weight approximately 15-20 lb (6.8-9 kg)

A card reader can be installed in the 1834 cabinet. However, the 1834 has no input for a card reader and this card reader would have to be connected to a separate access controller. For an integrated built-in card reader, see our 1835 or 1837 90 Series models.

FCC (US) DUF6VT-12874-OT-T  
DOC (CAN) 1736 4528 A



AT&T, the AT&T logo and all other AT&T marks contained herein are trademarks of AT&T Intellectual Property and/or AT&T affiliated companies.

## DoorKing® Inc.

Access Control Solutions since 1948



120 S. Glasgow Avenue,  
Inglewood, California 90301 U.S.A.  
Tel: 310-645-0023 FAX: 310-641-1586  
[www.doorking.com](http://www.doorking.com)

© 2022 All Rights Reserved.  
Product specifications may change without notice. Rev. 5/22



### MEMBER:



### DISTRIBUTED BY:

