

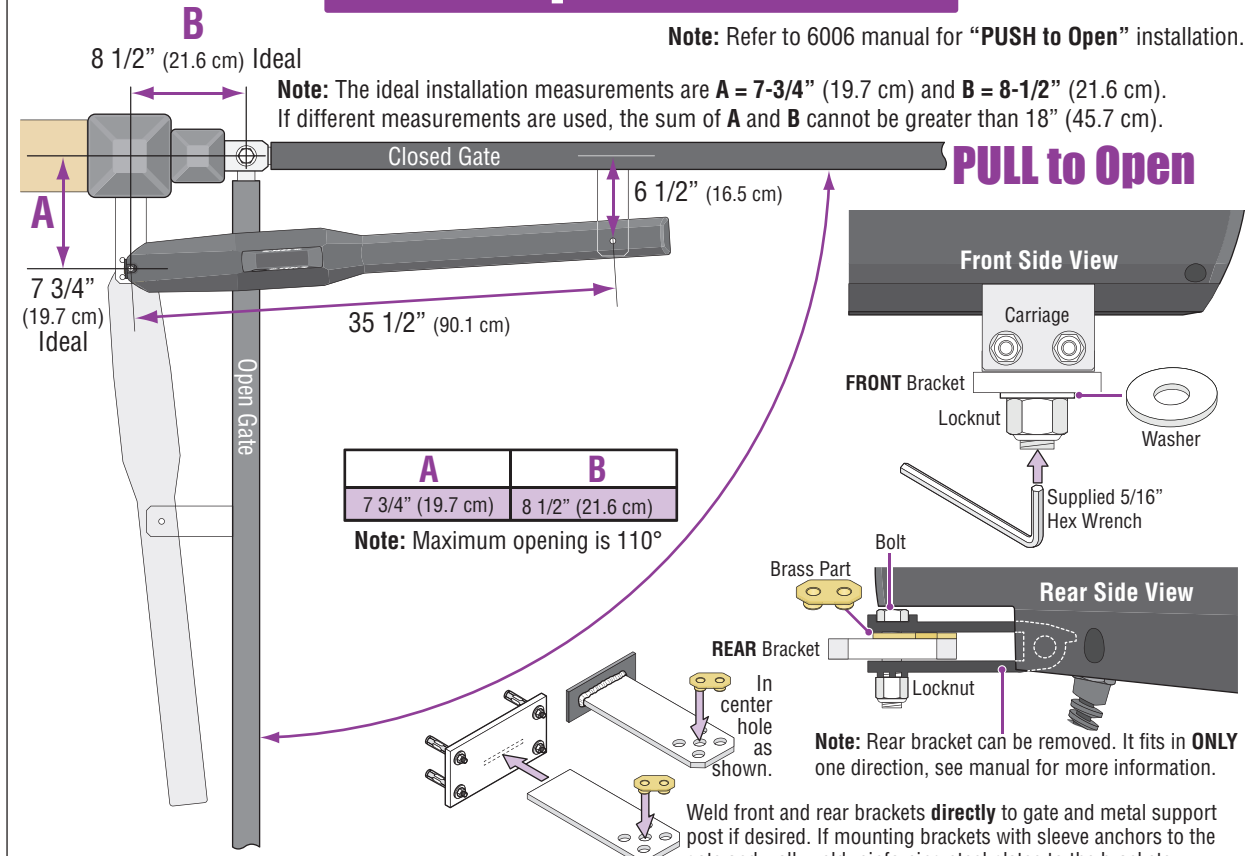
# QUICKSTART "BASIC" GUIDELINES FOR MODEL 6006 - FOR A GATE UP TO 18 FEET, 600LBS AND "PULL TO OPEN"

UL 325 August 2018 Standard



120 S. Glasgow Avenue  
Inglewood, California 90301  
U.S.A.

## "PULL to Open" Installation



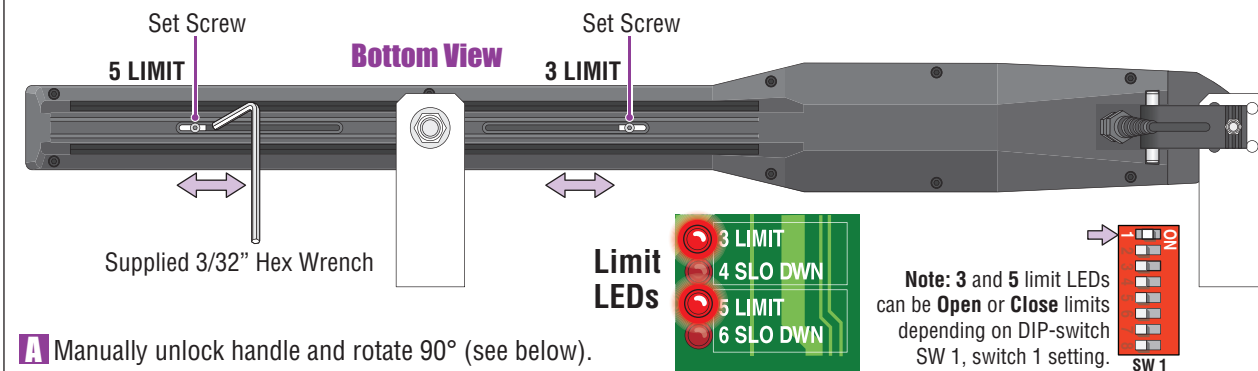
**THIS PRODUCT IS TO BE INSTALLED AND SERVICED BY A TRAINED GATE SYSTEMS TECHNICIAN ONLY.**  
Visit [www.dkslocator.com](http://www.dkslocator.com) to find a professional installing and servicing dealer in your area.

**The 6006 is intended for installation only on swing gates used for vehicles.**  
Pedestrians must be supplied with a separate access opening. For safety and installation instructions, please refer to **6006 Actuator Arm and Control Box Mounting manual, 115 VAC or Solar Control Box Wiring/Owner's manuals.**

## Limit Sensors Adjustment

Operator Opens to the Inside

**Power to the circuit board must be ON when adjusting the limit sensors.**

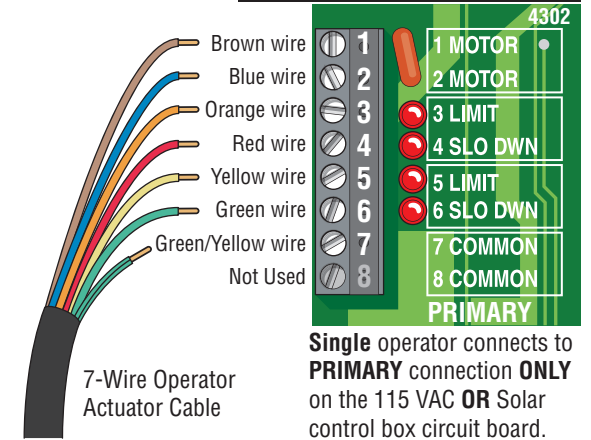


**A** Manually unlock handle and rotate 90° (see below).

**B** Manually move the gate to the desired open or closed position. Loosen set screw and slowly slide the limit assembly. **SLOW DOWN** LED will light first, continue sliding until the corresponding **LIMIT LED** on the circuit board lights up. Tighten screw. Manually move the gate to other position. Repeat process with the other limit assembly.

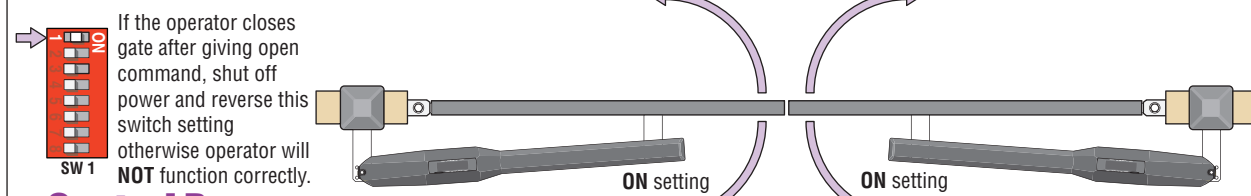
## Wiring to Circuit Board

**Note:** If factory wired jumpers are on operator terminal, they **MUST** be removed.



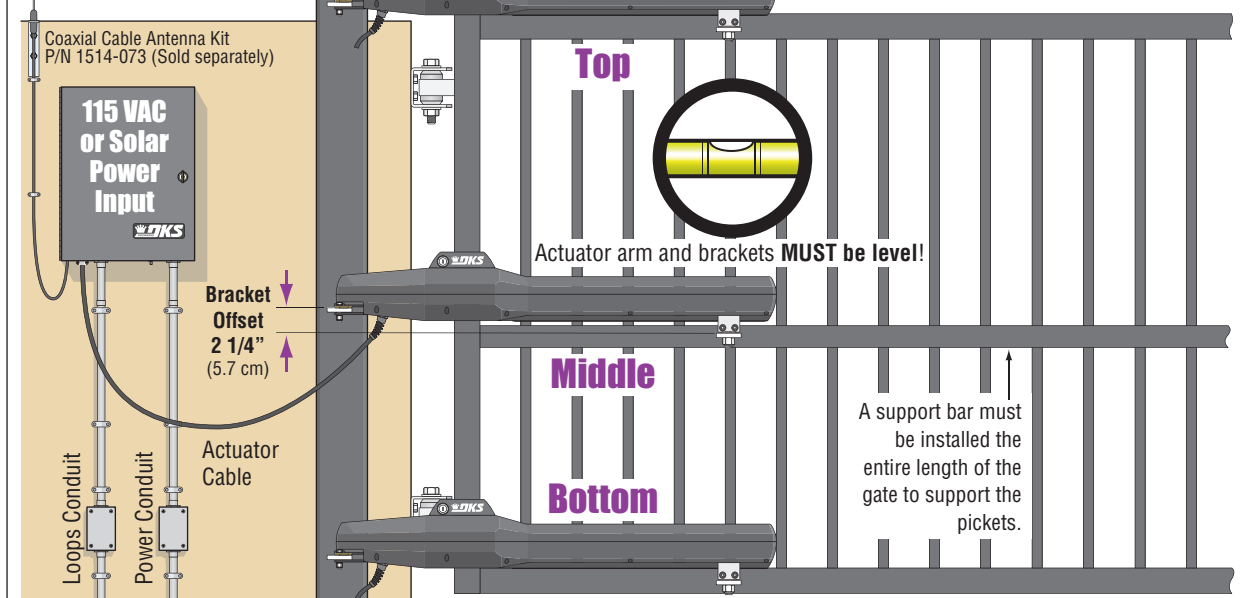
## Opening Direction DIP-Switch 1 (SW 1)

The operator **MUST OPEN GATE** upon initial power up and **OPEN** command. **PUSH to Open** - Refer to 6006 manual

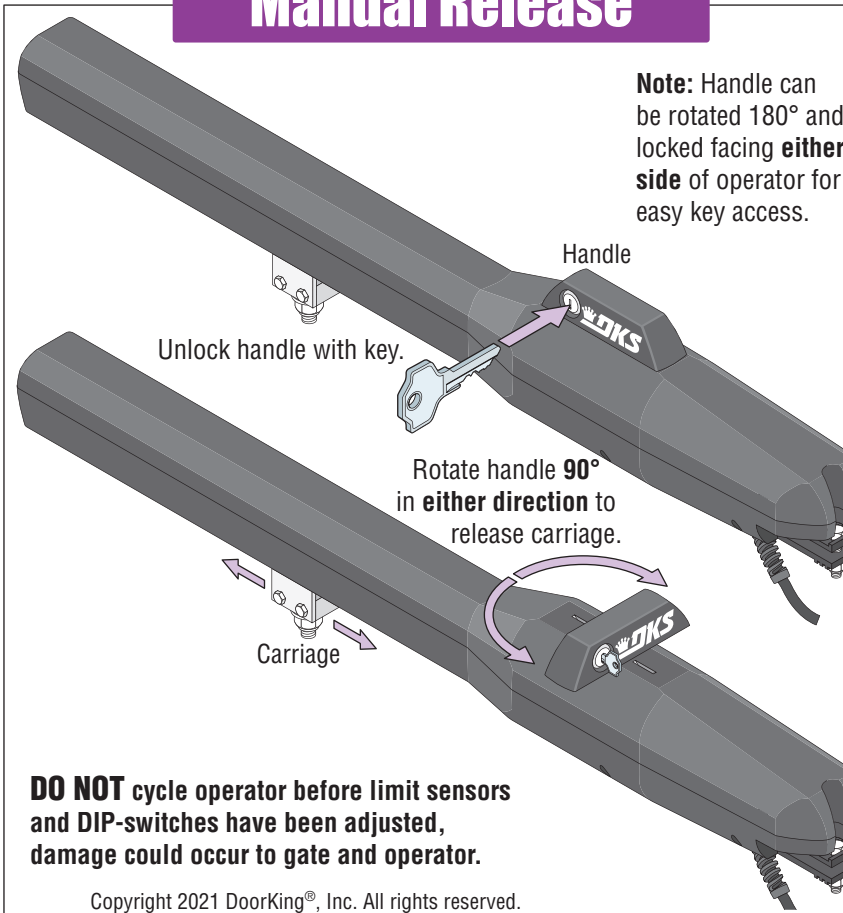


## Control Box

Securely mount a control box near the actuator arm with appropriate hardware not supplied).



## Manual Release



**Note:** Only 1 monitored Device can be connected for each cycling direction. An **OPTIONAL** Expansion Kit (sold separately) will allow connection for additional devices. Refer to **YOUR** chosen 115 VAC **OR** Solar powered control box manuals to wire entrapment protection devices.

## Photo Sensors Height

