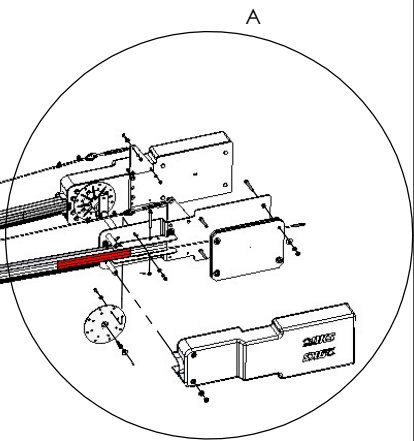
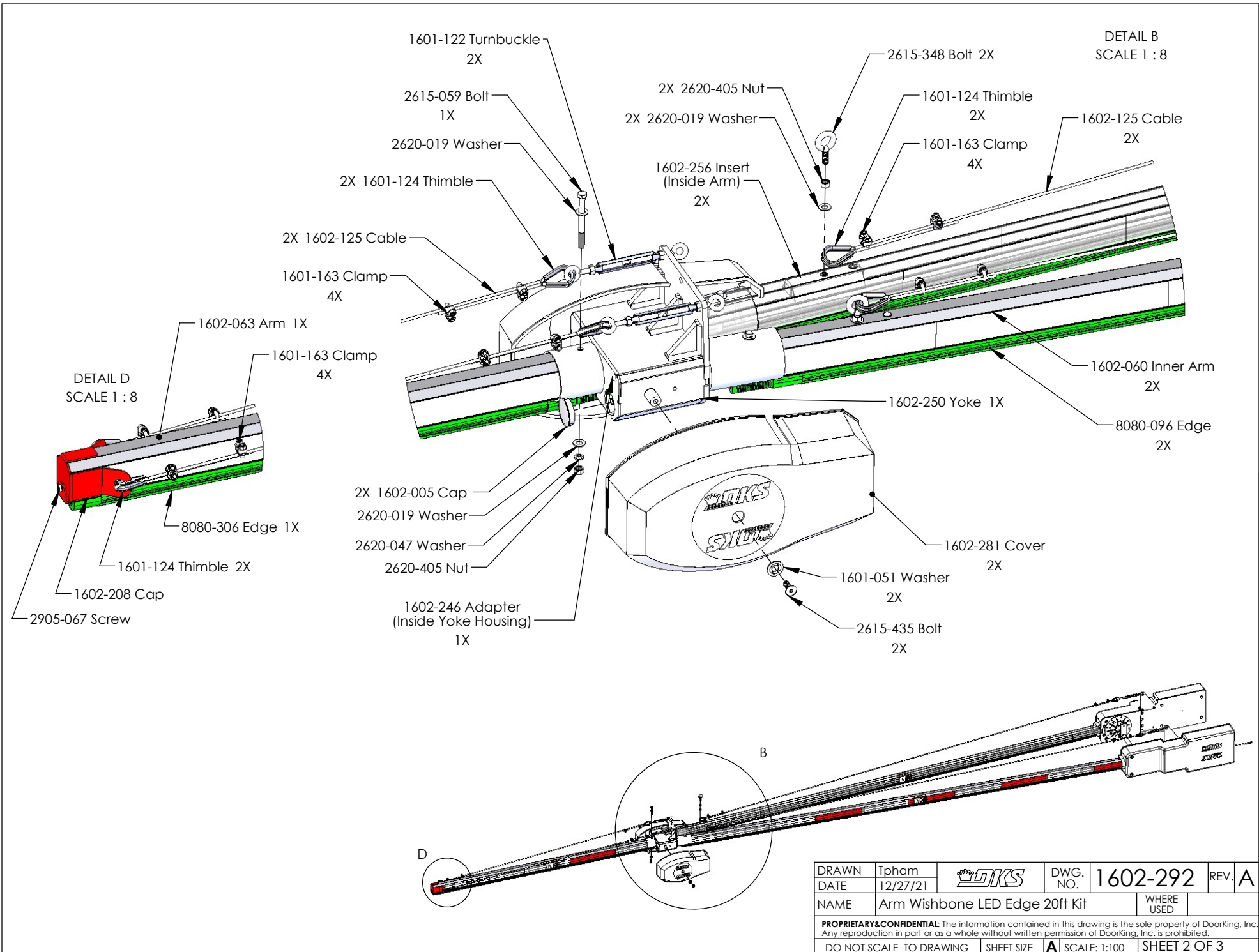


| REVISIONS | | | |
|-----------|-------------|------------|----------|
| REV. | DESCRIPTION | DATE | APPROVED |
| A | New Number | 12/27/2021 | Tpham |

- 2615-052 Bolt 2X
- 2620-019 Washer 2X
- 1602-197 Bracket 2X
- 2620-047 Washer 2X
- 2620-405 Nut 2X
- 2615-052 Bolt 4X
- 2620-047 Washer 4X
- 2620-405 Nut 4X
- 2X 1601-122 Turnbuckle
- 2X 1601-124 Thimble
- 4X 1601-163 Clamp
- 2615-188 Bolt 8X
- 1602-222 Counterweight 2X
- 2620-490 Nut 8X
- 1602-219 Plate 6X
- 1602-248 Cable 1X
- 2620-030 Washer 8X
- 2620-050 Washer 8X
- 2620-420 Nut 8X
- 1602-210 Pin 6X
- 2620-019 Washer 8X
- 2620-047 Washer 8X
- 2620-405 Nut 8X
- (2620-019 Washer 12X) Ref.
- (2601-298 Pin 12X) Ref.
- 8X 2615-052 Bolt
- 8X 2620-019 Washer
- 2X 1601-079 Hub
- 2X 1601-165 Bolt
- 2X 1601-097 Lock
- 2X 2616-052 Screw
- (1602-051 Washer) Ref.
- (2615-435 Bolt) Ref.

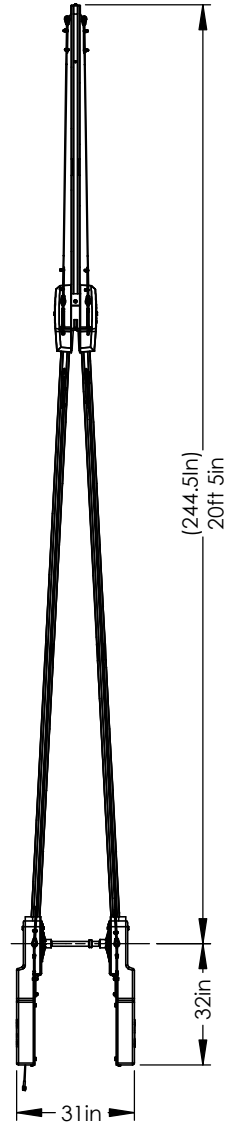


| | | | | | | |
|--|----------|------------|----------|--------------------------------|--------------|---|
| DRAWN | Tpham | | DWG. NO. | 1602-292 | REV. | A |
| DATE | 12/27/21 | | NAME | Arm Wishbone LED Edge 20ft Kit | WHERE USED | |
| PROPRIETARY & CONFIDENTIAL: The information contained in this drawing is the sole property of DoorKing, Inc. Any reproduction in part or as a whole without written permission of DoorKing, Inc. is prohibited. | | | | | | |
| DO NOT SCALE TO DRAWING | | SHEET SIZE | A | SCALE: 1:100 | SHEET 1 OF 3 | |

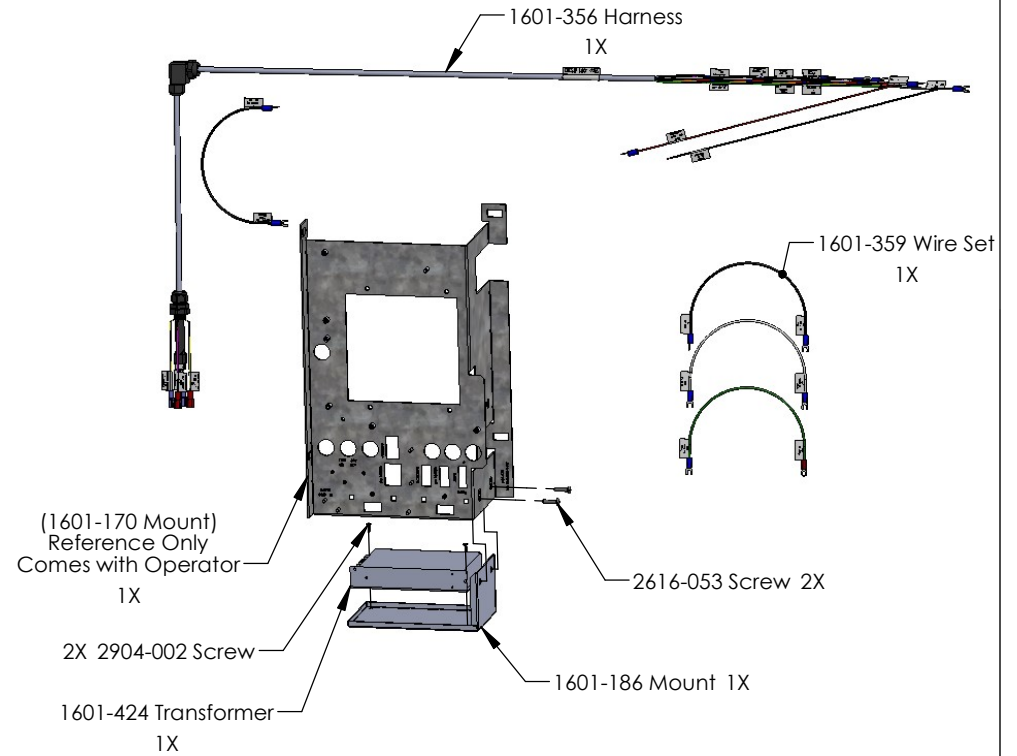


| | | | | | | |
|--|----------|--|------------|--------------------------------|--------------|--------------|
| DRAWN | Tpham | | DWG. NO. | 1602-292 | REV. | A |
| DATE | 12/27/21 | | NAME | Arm Wishbone LED Edge 20ft Kit | WHERE USED | |
| <small>PROPRIETARY & CONFIDENTIAL: The information contained in this drawing is the sole property of Doorking, Inc. Any reproduction in part or as a whole without written permission of Doorking, Inc. is prohibited.</small> | | | | | | |
| DO NOT SCALE TO DRAWING | | | SHEET SIZE | A | SCALE: 1:100 | SHEET 2 OF 3 |

| PartNo | Description | QTY. |
|-------------|---------------------------------------|------|
| 1601-079 | Hub Die Cast Painted | 2 |
| 1601-097 | Hub Bolt Lock Washer | 2 |
| 1601-122 | Turnbuckle Stainless | 4 |
| 1601-124 | Thimble Eye Bare End | 8 |
| 1601-163 | Cable Clamp 1/8 Dia Rope | 16 |
| 1601-165 | Bolt Hex Head 1/2-13 x 1.75 | 2 |
| 1602-005 | Cap White for 1 3/4" ID | 2 |
| 1602-006 | Cover Plastic Weight Counter Assy | 2 |
| 1602-051 | Washer Nylon 1.125ODx.468IDx0.072Th | 2 |
| 1602-060 | Octagon Wishbone Inner Arm | 2 |
| 1602-063 | Wishbone Outer Arm 20FT | 1 |
| 1602-125 | Cable Wishbone | 4 |
| 1602-149 | Manual Wishbone Arms | 1 |
| 1602-197 | Bracket Cable Mount | 2 |
| 1602-208 | Metal Cap 1602 Wishbone Red | 1 |
| 1602-210 | Pin UHMW Assy | 6 |
| 1602-219 | Plate Counterweight 20lbs | 6 |
| 1602-222 | Counterweight Plate Assy | 2 |
| 1602-246 | Harness Adapter 3 to 1 | 1 |
| 1602-248 | Harness Long Adapter | 1 |
| 1602-250 | Wishbone Yoke Connector | 1 |
| 1602-256 | Eye Bolt Insert Support | 2 |
| 1602-281 | Cover 1602 Wishbone | 2 |
| 1602-292IPB | Arm wishbone LED Edge 20ft Kit | 1 |
| 2615-052 | Bolt Hex 3/8-16 x 1.0 | 14 |
| 2615-059 | Bolt Hex 3/8-16 x 4.0 | 1 |
| 2615-188 | Bolt Hex 1/2-13 x 3.5 | 8 |
| 2615-348 | Eye Bolt 3/8-16 x 1 inch Zinc Plated | 2 |
| 2615-435 | Bolt Flat Head Hex 3-8-16x1.0 SS | 2 |
| 2616-052 | Screw 10-32 x 1/2 Phillips Head | 2 |
| 2620-019 | Washer 3/8 ID SAE | 22 |
| 2620-030 | Washer 1/2 ID USS | 8 |
| 2620-047 | Washer Split 3/8-16 | 15 |
| 2620-050 | Washer Split 1/2 | 8 |
| 2620-405 | Nut 3/8-16 | 17 |
| 2620-420 | Nut 1/2-13 Hex | 8 |
| 2620-490 | Nut Jam 1/2-13 | 8 |
| 2905-067 | Screw 1/4-20 x 0.75 Pan Head Phillips | 1 |
| 8080-096 | Reverse Edge LED 13FT | 2 |
| 8080-306 | Lighted Reverse Edge 6FT | 1 |



| PartNo | Description | QTY. |
|----------|-------------------------------------|------|
| 1601-186 | Transformer Mount | 1 |
| 1601-356 | Wire Harness Lighted Arms | 1 |
| 1601-359 | Wire Set for 8.5-12.5A Transformers | 1 |
| 1601-424 | 1601-424 Transformer 12.5Amp | 1 |
| 2616-053 | Screw 10-32 x 3/4 | 2 |
| 2904-002 | Screw Round Head 4-40x3/8 | 2 |



| | | | | | | |
|--|--------------------------------|---|--------------|--------------|------|---|
| DRAWN | Tpham | | DWG. NO. | 1602-292 | REV. | A |
| DATE | 12/27/21 | | WHERE USED | | | |
| NAME | Arm Wishbone LED Edge 20ft Kit | | | | | |
| PROPRIETARY & CONFIDENTIAL: The information contained in this drawing is the sole property of DoorKing, Inc. Any reproduction in part or as a whole without written permission of DoorKing, Inc. is prohibited. | | | | | | |
| DO NOT SCALE TO DRAWING | SHEET SIZE | A | SCALE: 1:100 | SHEET 3 OF 3 | | |