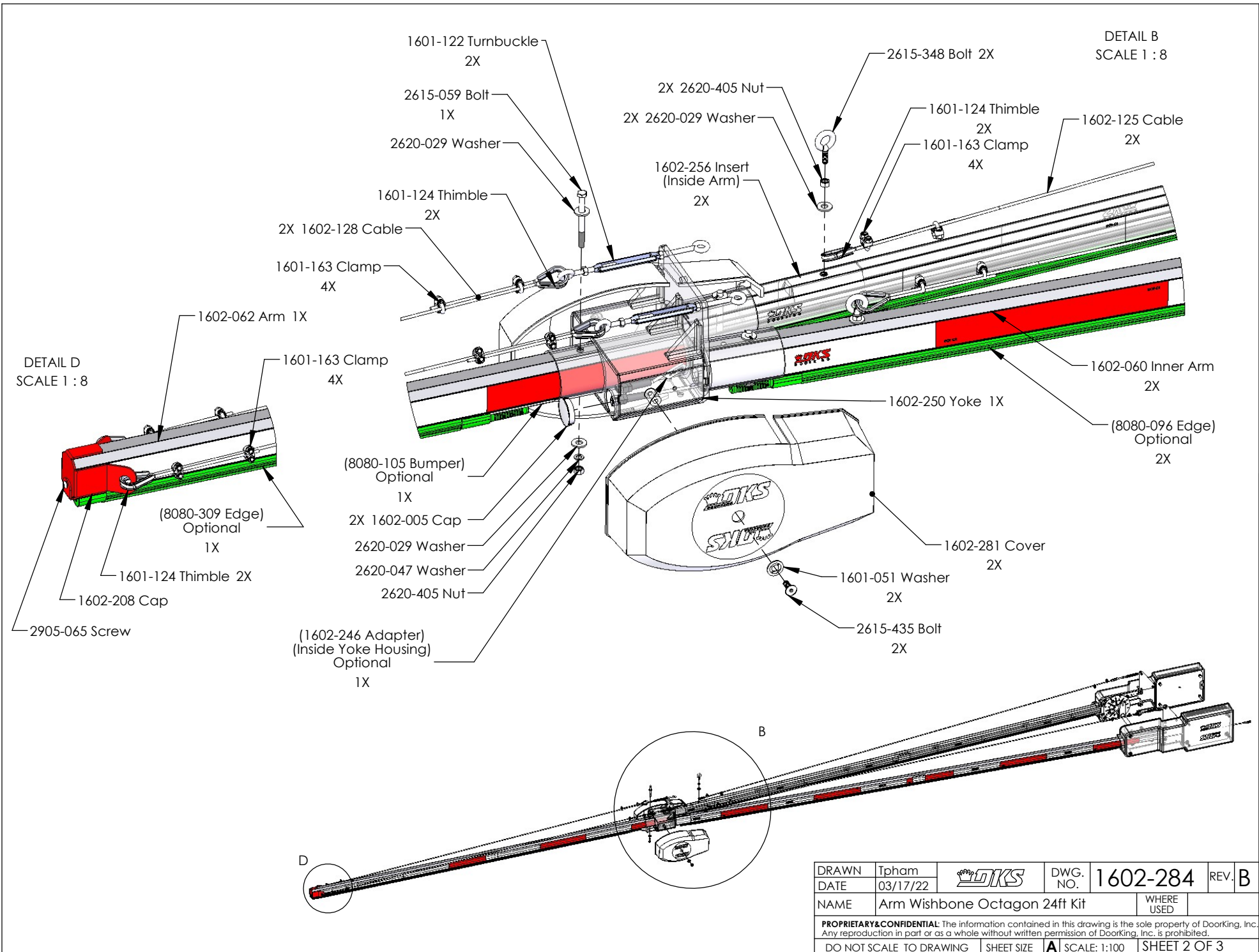


REVISIONS			
REV.	DESCRIPTION	DATE	APPROVED
A	New Number	03/17/22	Tpham
B	1601-340 Hub 2X was 1601-079 Hub 2X; 1602-219 Plate 10X was 8X; 2615-088 Bolt 8X was 2615-188 Bolt 8X; Added 2620-025 Washer 2X.	10/19/23	Tpham

DRAWN	Tpham		DWG. NO.	1602-284	REV.	B
DATE	03/17/22		NAME	Arm Wishbone Octagon 24ft Kit	WHERE USED	
PROPRIETARY & CONFIDENTIAL: The information contained in this drawing is the sole property of DoorKing, Inc. Any reproduction in part or as a whole without written permission of DoorKing, Inc. is prohibited.						
DO NOT SCALE TO DRAWING		SHEET SIZE	A	SCALE: 1:100	SHEET 1 OF 3	

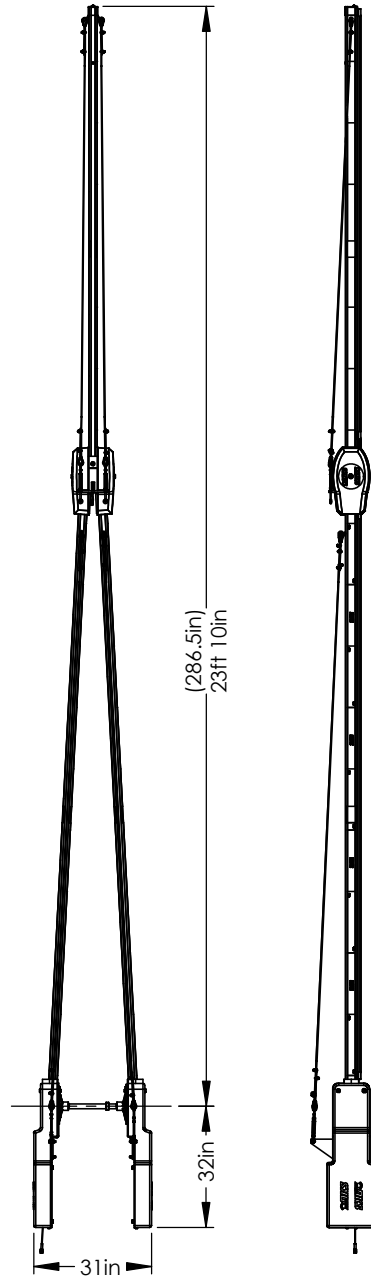


DETAIL B
SCALE 1 : 8

DETAIL D
SCALE 1 : 8

DRAWN	Tpham		DWG. NO.	1602-284	REV.	B
DATE	03/17/22		NAME	Arm Wishbone Octagon 24ft Kit	WHERE USED	
<p>PROPRIETARY & CONFIDENTIAL: The information contained in this drawing is the sole property of Doorking, Inc. Any reproduction in part or as a whole without written permission of Doorking, Inc. is prohibited.</p>						
DO NOT SCALE TO DRAWING			SHEET SIZE	A	SCALE: 1:100	SHEET 2 OF 3

PartNo	Description	QTY.
1601-097	Hub Bolt Lock Washer	2
1601-122	Turnbuckle Stainless	4
1601-124	Thimble Eye Bare End	8
1601-163	Cable Clamp 1/8 Dia Rope	18
1601-165	Bolt Hex Head 1/2-13 x 1.75	2
1601-340	Hub Steel Plated	2
1602-005	Cap White for 1 3/4" ID	2
1602-006	Cover Plastic Weight Counter Assy	2
1602-051	Washer Nylon 1.125ODx.468IDx0.072Th	2
1602-060	Octagon Wishbone Inner Arm	2
1602-062	Wishbone Outer Arm 24FT	1
1602-125	Cable Wishbone	4
1602-158	Manual Wishbone Arms	1
1602-197	Bracket Cable Mount	2
1602-208	Metal Cap 1602 Wishbone Red	1
1602-210	Pin UHMW Assy	12
1602-219	Plate Counterweight 20lbs	10
1602-222	Counterweight Plate Assy	2
1602-250	Wishbone Yoke Connector	1
1602-256	Eye Bolt Insert Support	2
1602-281	Cover 1602 Wishbone	2
1602-284IPB	Arm Wishbone Octagon 24ft Kit	1
2615-053	Bolt Hex Head 3/8-16x1.25	16
2615-059	Bolt Hex 3/8-16 x 4.0	1
2615-088	Bolt Hex Hd 1/2-13 x 4.5 SS Full Thread	8
2615-348	Eye Bolt 3/8-16 x 1 inch Zinc Plated	2
2615-435	Bolt Flat Head Hex 3-8-16x1.0 SS	2
2616-052	Screw 10-32 x 1/2 Phillips Head	2
2620-029	Washer 3/8 ID USS	24
2620-030	Washer 1/2 ID USS	8
2620-047	Washer Split 3/8-16	17
2620-050	Washer Split 1/2	8
2620-405	Nut 3/8-16	19
2620-420	Nut 1/ 2-13 Hex	8
2620-490	Nut Jam 1/2-13	8
2905-065	Screw Phillips Head 1/4-20x1/2	1
2620-025	Washer 1/2 ID Gr8	2



1602 Octagonal Wishbone Arm Options

Length	Standard Arm Kit	LED Edge Kit - Optional
20 Feet	1602-282	1602-292
24 Feet	1602-284	1602-294
27 Feet	1602-287	1602-297

DRAWN	Tpham		DWG. NO.	1602-284	REV.	B
DATE	03/17/22		WHERE USED			
NAME	Arm Wishbone Octagon 24ft Kit					
PROPRIETARY & CONFIDENTIAL: The information contained in this drawing is the sole property of DoorKing, Inc. Any reproduction in part or as a whole without written permission of DoorKing, Inc. is prohibited.						
DO NOT SCALE TO DRAWING		SHEET SIZE	A	SCALE: 1:100	SHEET 3 OF 3	