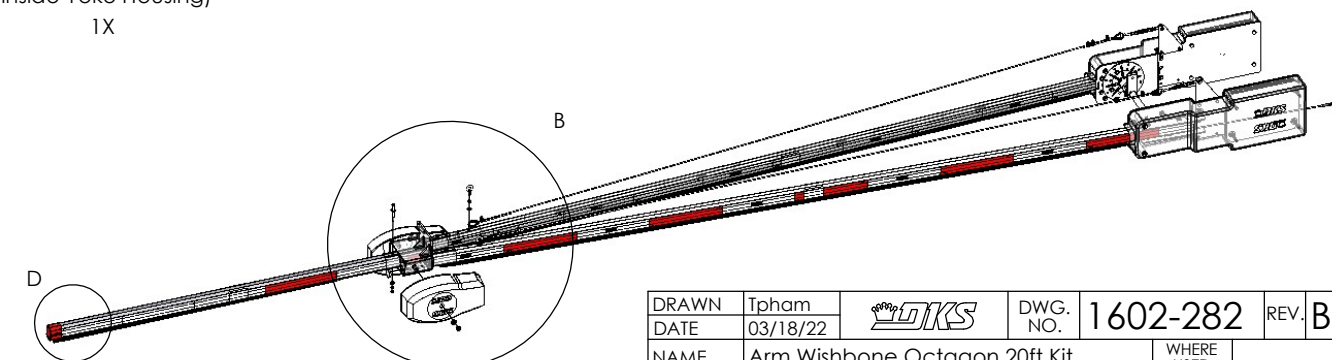
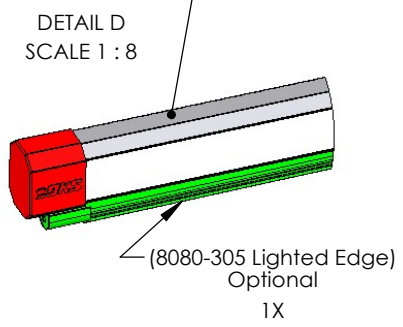
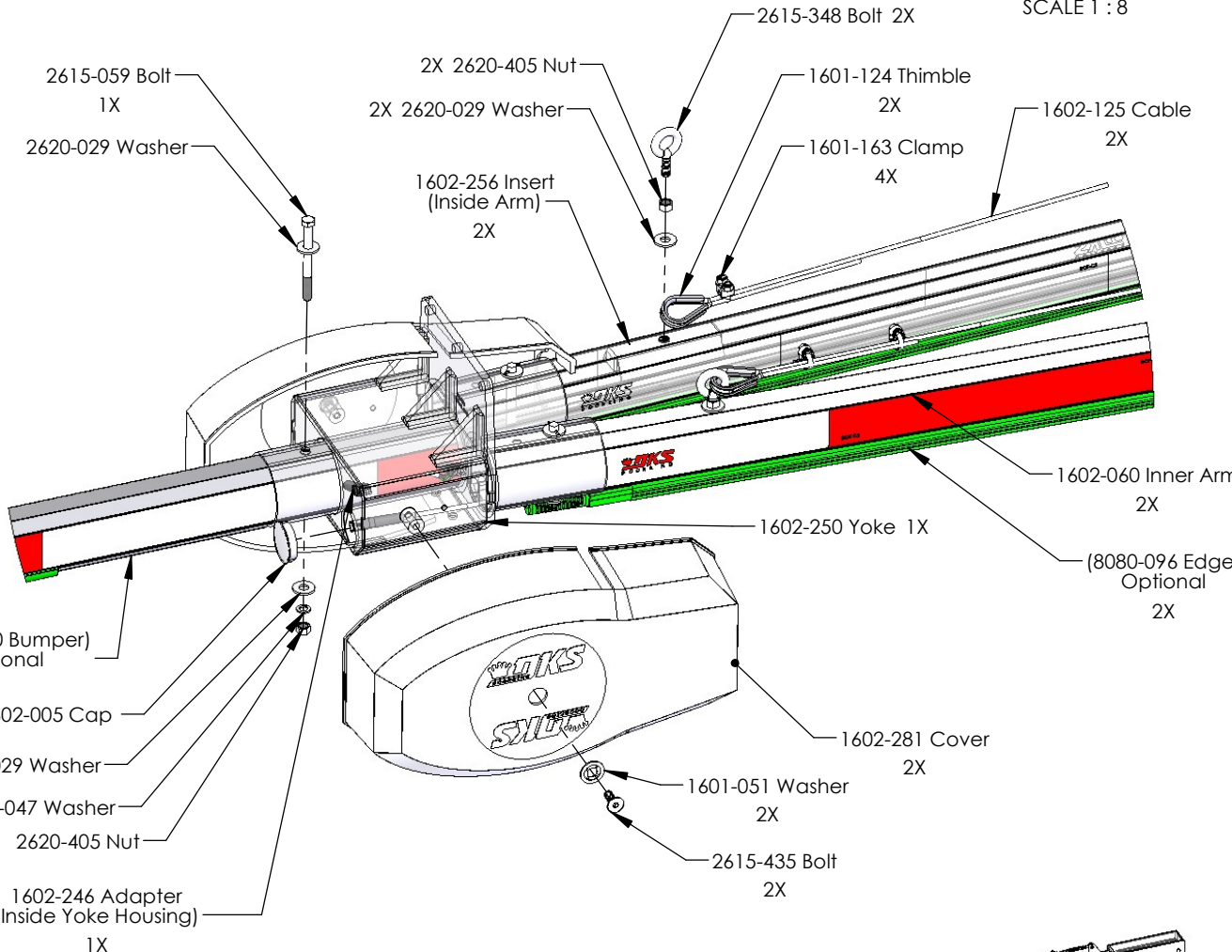


REVISIONS			
REV.	DESCRIPTION	DATE	APPROVED
A	New Number	03/18/22	Tpham
B	1601-340 Hub 2X was 1601-079 Hub 2X; 1602-219 Plate 7X was 6X; 2615-088 Bolt 8X was 2615-188 Bolt 8X; Added 2620-025 2X	10/19/2023	Tpham

- 2615-053 Bolt 2X
- 2620-029 Washer 2X
- 1602-197 Bracket 2X
- 2620-047 Washer 2X
- 2620-405 Nut 2X
- 2X 1601-122 Turnbuckle
- 2X 1601-124 Thimble
- 4X 1601-163 Clamp
- 2615-053 Bolt 4X
- 2620-047 Washer 4X
- 2620-405 Nut 4X
- 2615-088 Bolt 8X
- 1602-222 Counterweight 2X
- 2620-490 Nut 8X
- 1602-219 Plate 7X
- (1602-248 Cable) Optional 1X
- 2620-030 Washer 8X
- 2620-050 Washer 8X
- 2620-420 Nut 8X
- 1602-210 Pin 6X
- 2620-029 Washer 8X
- 2620-047 Washer 8X
- 2620-405 Nut 8X
- (2620-019 Washer 12X) Ref.
- (2601-298 Pin 12X) Ref.
- 8X 2615-053 Bolt
- 8X 2620-029 Washer
- 2X 1601-340 Hub
- 2X 2620-025 Washer
- 2X 1601-165 Bolt
- 2X 1601-097 Lock
- 2X 2616-052 Screw
- (1602-051 Washer) Ref.
- (2615-435 Bolt) Ref.
- 1602-006 Cover 2X

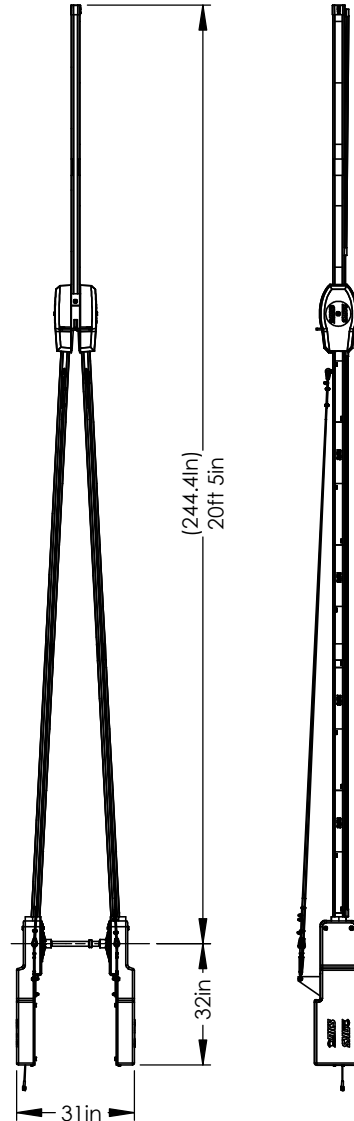
DRAWN	Tpham		DWG. NO.	1602-282	REV.	B
DATE	03/18/22		WHERE USED			
NAME	Arm Wishbone Octagon 20ft Kit					
<small>PROPRIETARY & CONFIDENTIAL: The information contained in this drawing is the sole property of DoorKing, Inc. Any reproduction in part or as a whole without written permission of DoorKing, Inc. is prohibited.</small>						
DO NOT SCALE TO DRAWING		SHEET SIZE	A	SCALE: 1:100	SHEET 1 OF 3	

DETAIL B
SCALE 1 : 8



DRAWN	Tpham		DWG. NO.	1602-282	REV.	B
DATE	03/18/22		NO.			
NAME	Arm Wishbone Octagon 20ft Kit			WHERE USED		
<small>PROPRIETARY & CONFIDENTIAL: The information contained in this drawing is the sole property of Doorking, Inc. Any reproduction in part or as a whole without written permission of Doorking, Inc. is prohibited.</small>						
DO NOT SCALE TO DRAWING			SHEET SIZE	A	SCALE: 1:100	SHEET 2 OF 3

PartNo	Description	QTY.
1601-097	Hub Bolt Lock Washer	2
1601-122	Turnbuckle Stainless	2
1601-124	Thimble Eye Bare End	4
1601-163	Cable Clamp 1/8 Dia Rope	10
1601-165	Bolt Hex Head 1/2-13 x 1.75	2
1601-340	Hub Steel Plated	2
1602-005	Cap White for 1 3/4" ID	2
1602-006	Cover Plastic Weight Counter Assy	2
1602-051	Washer Nylon 1.125ODx.468IDx0.072Th	2
1602-060	Octagon Wishbone Inner Arm	2
1602-063	Wishbone Outer Arm 20FT	1
1602-125	Cable Wishbone	2
1602-158	Manual Wishbone Arms	1
1602-197	Bracket Cable Mount	2
1602-210	Pin UHMW Assy	12
1602-219	Plate Counterweight 20lbs	7
1602-222	Counterweight Plate Assy	2
1602-250	Wishbone Yoke Connector	1
1602-256	Eye Bolt Insert Support	2
1602-281	Cover 1602 Wishbone	2
1602-282IPB	Arm Wishbone Octagon 20ft Kit	1
2615-053	Bolt Hex Head 3/8-16x1.25	16
2615-059	Bolt Hex 3/8-16 x 4.0	1
2615-088	Bolt Hex Hd 1/2-13 x 4.5 SS Full Thread	8
2615-348	Eye Bolt 3/8-16 x 1 inch Zinc Plated	2
2615-435	Bolt Flat Head Hex 3-8-16x1.0 SS	2
2616-052	Screw 10-32 x 1/2 Phillips Head	2
2620-029	Washer 3/8 ID USS	24
2620-030	Washer 1/2 ID USS	8
2620-047	Washer Split 3/8-16	17
2620-050	Washer Split 1/2	8
2620-405	Nut 3/8-16	19
2620-420	Nut 1/ 2-13 Hex	8
2620-490	Nut Jam 1/2-13	8
2620-025	Washer 1/2 ID Gr8	2



1602 Octagonal Wishbone Arm Options

Length	Standard Arm Kit	LED Edge Kit - Optional
20 Feet	1602-282	1602-292
24 Feet	1602-284	1602-294
27 Feet	1602-287	1602-297

DRAWN	Tpham		DWG. NO.	1602-282	REV.	B
DATE	03/18/22		NAME	Arm Wishbone Octagon 20ft Kit	WHERE USED	
PROPRIETARY & CONFIDENTIAL: The information contained in this drawing is the sole property of DoorKing, Inc. Any reproduction in part or as a whole without written permission of DoorKing, Inc. is prohibited.						
DO NOT SCALE TO DRAWING		SHEET SIZE	A	SCALE: 1:100	SHEET 3 OF 3	