

3-PIECE OCTAGON ARM WITH LED/REVERSE EDGE KIT INSTALL

These LED/Reverse Edge kits are designed **ONLY** for the 1602 model barrier gate operator.

IMPORTANT NOTE: Installation of arms without LED/Reverse Edge kit see pages 7-9.

DoorKing Part Numbers:

1602-282

20 ft Arm Only

AND

1602-292

20 ft LED/Reverse Edge Kit
(Optional for 1602-282 Arm)

1602-284

24 ft Arm Only

AND

1602-294

24 ft LED/Reverse Edge Kit
(Optional for 1602-284 Arm)

1602-287

27 ft Arm Only

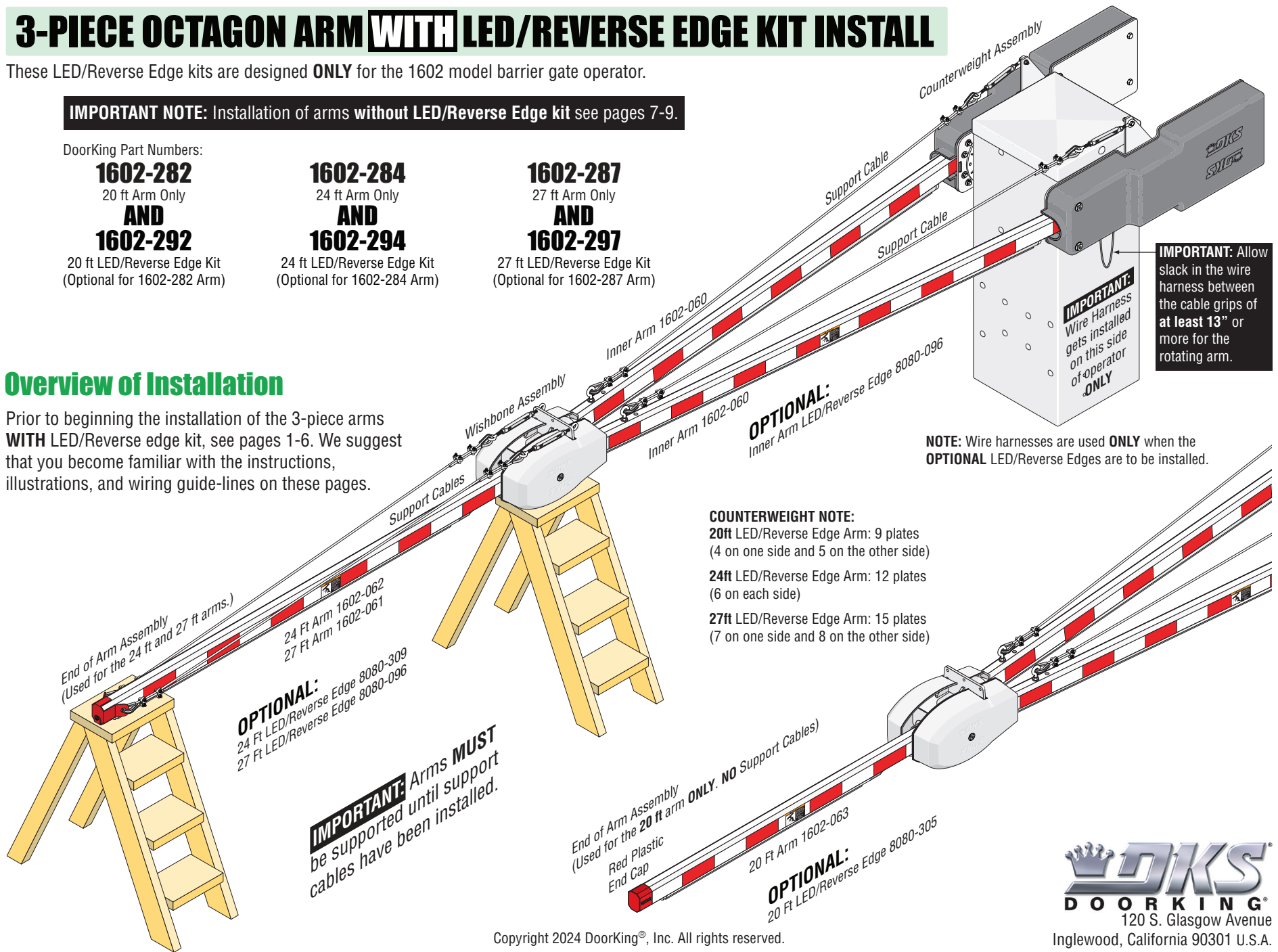
AND

1602-297

27 ft LED/Reverse Edge Kit
(Optional for 1602-287 Arm)

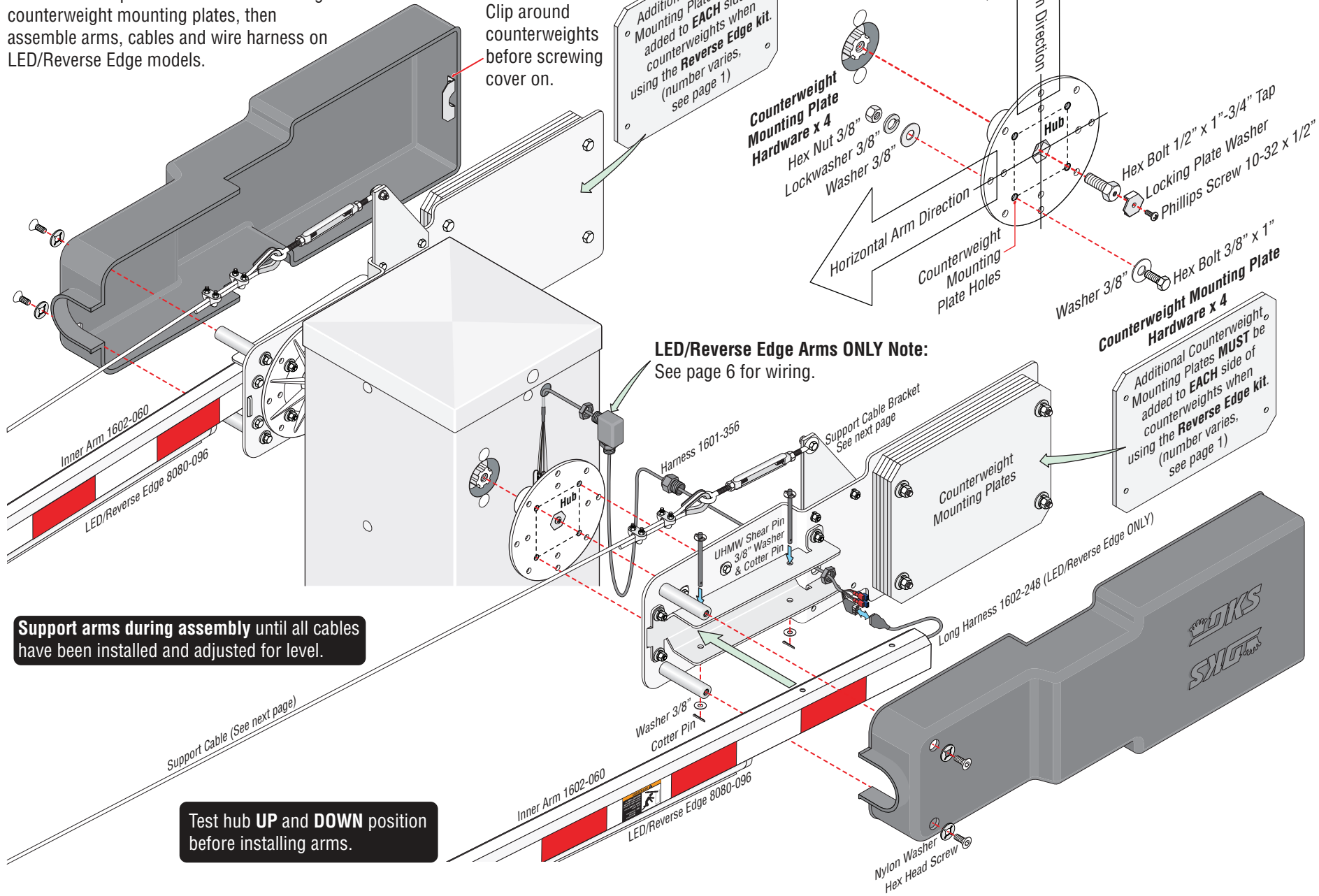
Overview of Installation

Prior to beginning the installation of the 3-piece arms **WITH** LED/Reverse edge kit, see pages 1-6. We suggest that you become familiar with the instructions, illustrations, and wiring guide-lines on these pages.



Counterweight Assembly

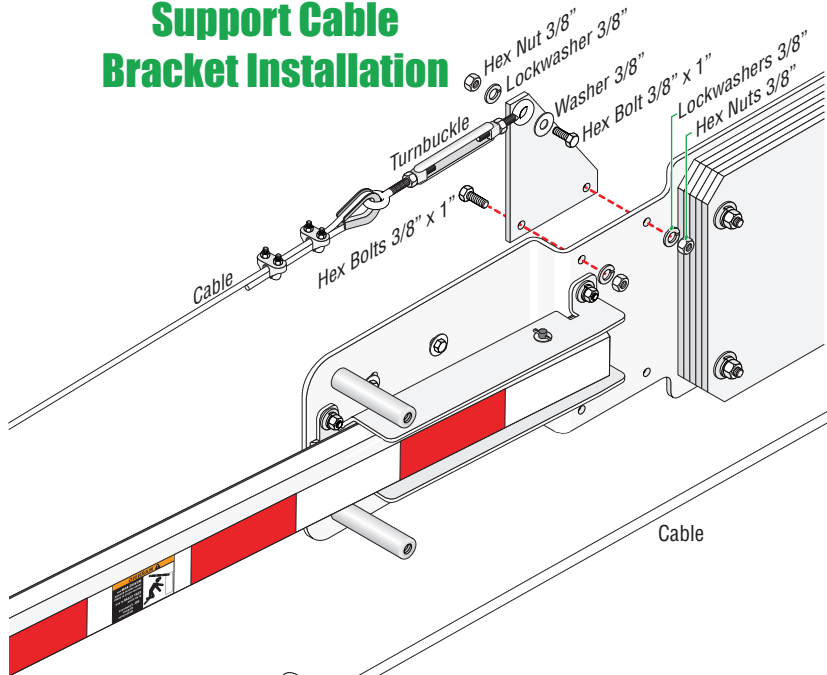
Mount hubs on operator **FIRST** Test hubs **UP** and **DOWN** positions **BEFORE** installing counterweight mounting plates, then assemble arms, cables and wire harness on LED/Reverse Edge models.



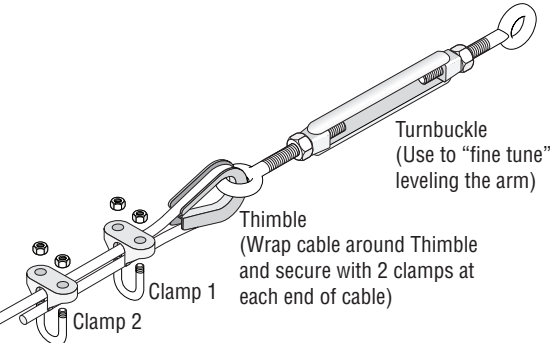
Support arms during assembly until all cables have been installed and adjusted for level.

Test hub UP and DOWN position before installing arms.

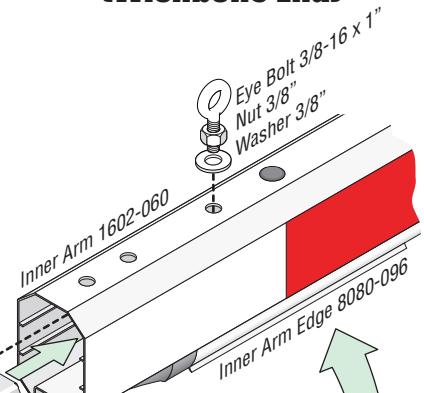
Support Cable Bracket Installation



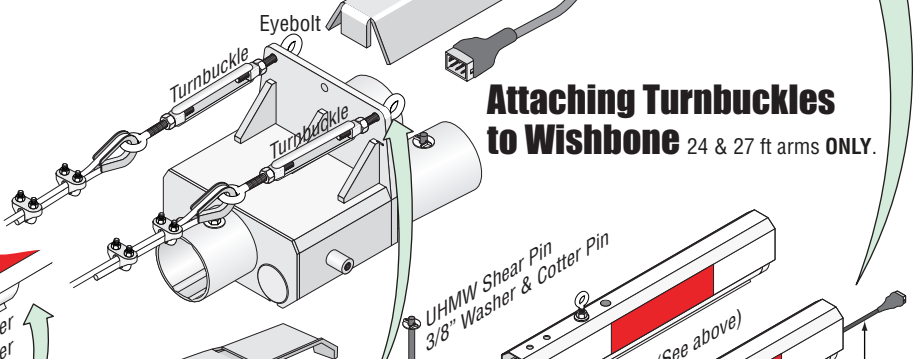
Typical Support Cable Installation



Inner Arms Assembly (Wishbone End)

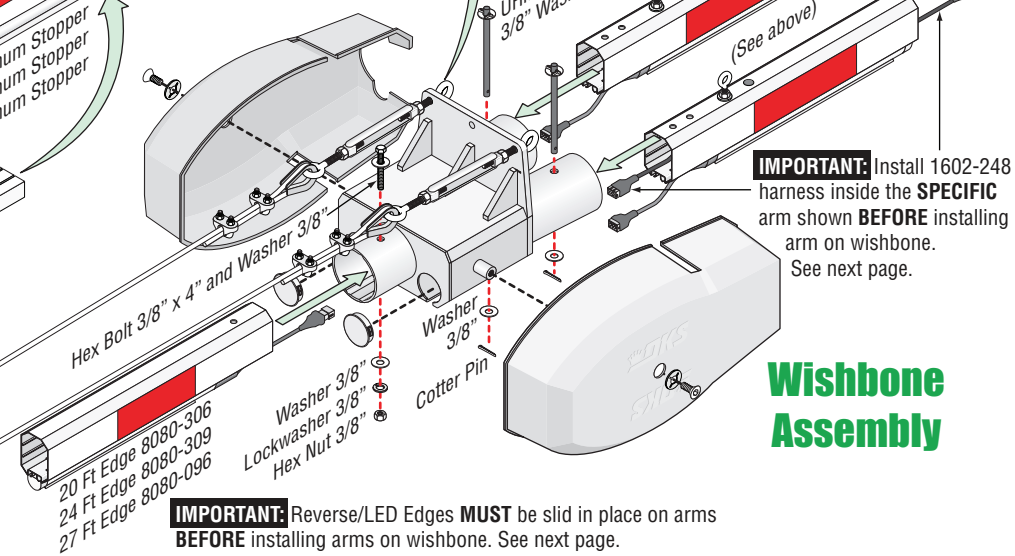
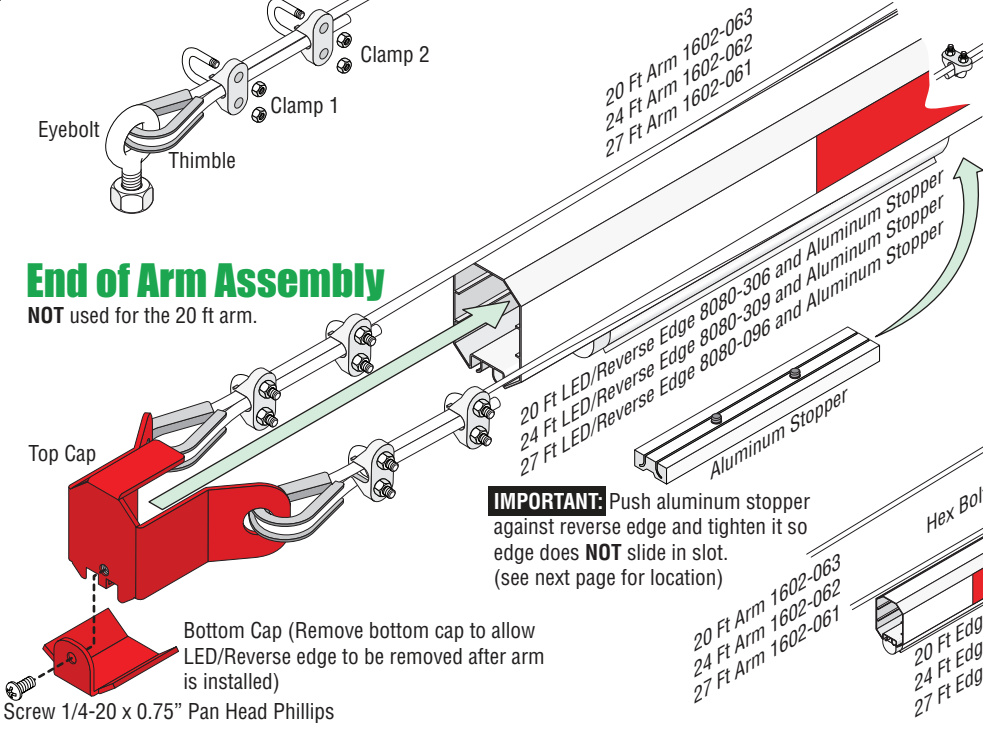


Attaching Turnbuckles to Wishbone 24 & 27 ft arms ONLY.



End of Arm Assembly

NOT used for the 20 ft arm.

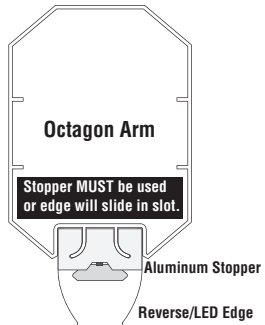


Wishbone Assembly

IMPORTANT: Reverse/LED Edges **MUST** be slid in place on arms **BEFORE** installing arms on wishbone. See next page.

LED/Reverse Edge Wiring

20 Ft LED/Reverse Edge 8080-306 and Aluminum Stopper
 24 Ft LED/Reverse Edge 8080-309 and Aluminum Stopper
 27 Ft LED/Reverse Edge 8080-096 and Aluminum Stopper



Tip: Liquid soap will help LED/reverse edge slide on easier.

Aluminum Stopper (Outer Arm ONLY)

Bottom View of Arm

3-in-1 Harness 1602-246

Wishbone Box

Inner Arm LED/Reverse Edge 8080-096

Red and Blue Plugs NOT Used

Long Harness 1602-248 (Inside this arm shown ONLY)

ONLY use existing hole inside arm mount

Inside Operator (see page 6)

Harness 1601-356

Inner Arm LED/Reverse Edge 8080-096

Long Harness 1602-248 (Inside this arm shown ONLY)

ONLY use existing hole inside arm mount

plug Cap
 Plug Hole & Slot

NOTE: All plug connections will fit inside wishbone box. Use the 2 plug holes to make all connections through and slide connected plugs in wishbone box. Use slots to run LED/reverse edge wires through.

KNOCKOUT

IMPORTANT: KNOCKOUT for wire harness is located on ONE SIDE of operator ONLY. There needs to be slack in the wire harness 1601-356 for rotating arm.

IMPORTANT: Wire harness MUST remain clear of the rotating arm and the arm cover to avoid wire chaffing.

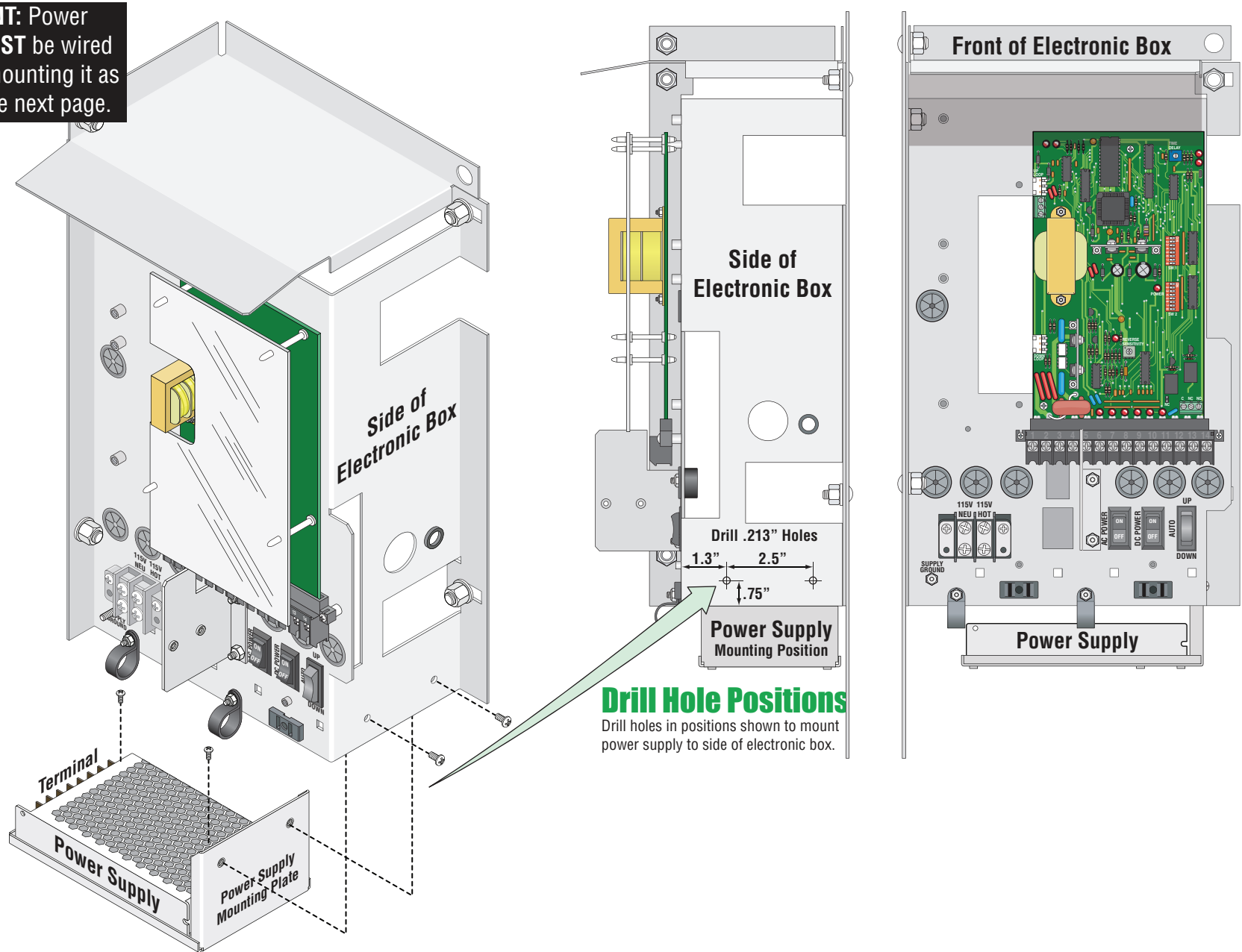
Counterweight Mounting Bracket

Run cable through hole in counterweight mounting bracket.

Long Harness inside Arm 1602-248

Mount Power Supply

IMPORTANT: Power supply **MUST** be wired **BEFORE** mounting it as shown. See next page.



Drill Hole Positions
Drill holes in positions shown to mount power supply to side of electronic box.

3-PIECE OCTAGON ARM ONLY INSTALL

These 3-Piece Arm ONLY are designed **ONLY** for the 1602 model barrier gate operator.

IMPORTANT NOTE: Installation of arms WITH LED/Reverse Edge kit see pages 1-6.

DoorKing Part Numbers:

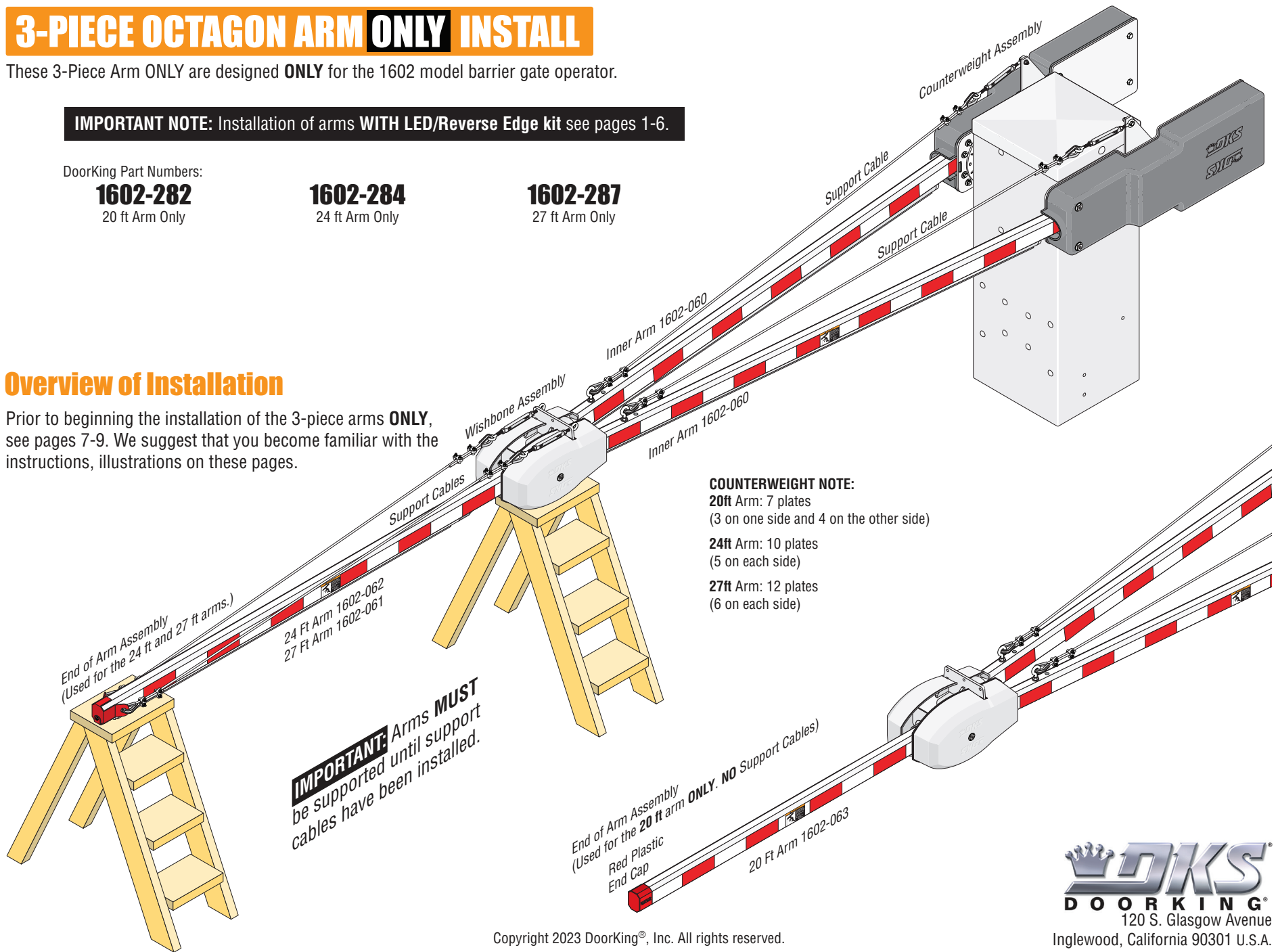
1602-282
20 ft Arm Only

1602-284
24 ft Arm Only

1602-287
27 ft Arm Only

Overview of Installation

Prior to beginning the installation of the 3-piece arms **ONLY**, see pages 7-9. We suggest that you become familiar with the instructions, illustrations on these pages.



COUNTERWEIGHT NOTE:
 20ft Arm: 7 plates
 (3 on one side and 4 on the other side)
 24ft Arm: 10 plates
 (5 on each side)
 27ft Arm: 12 plates
 (6 on each side)

IMPORTANT: Arms **MUST** be supported until support cables have been installed.

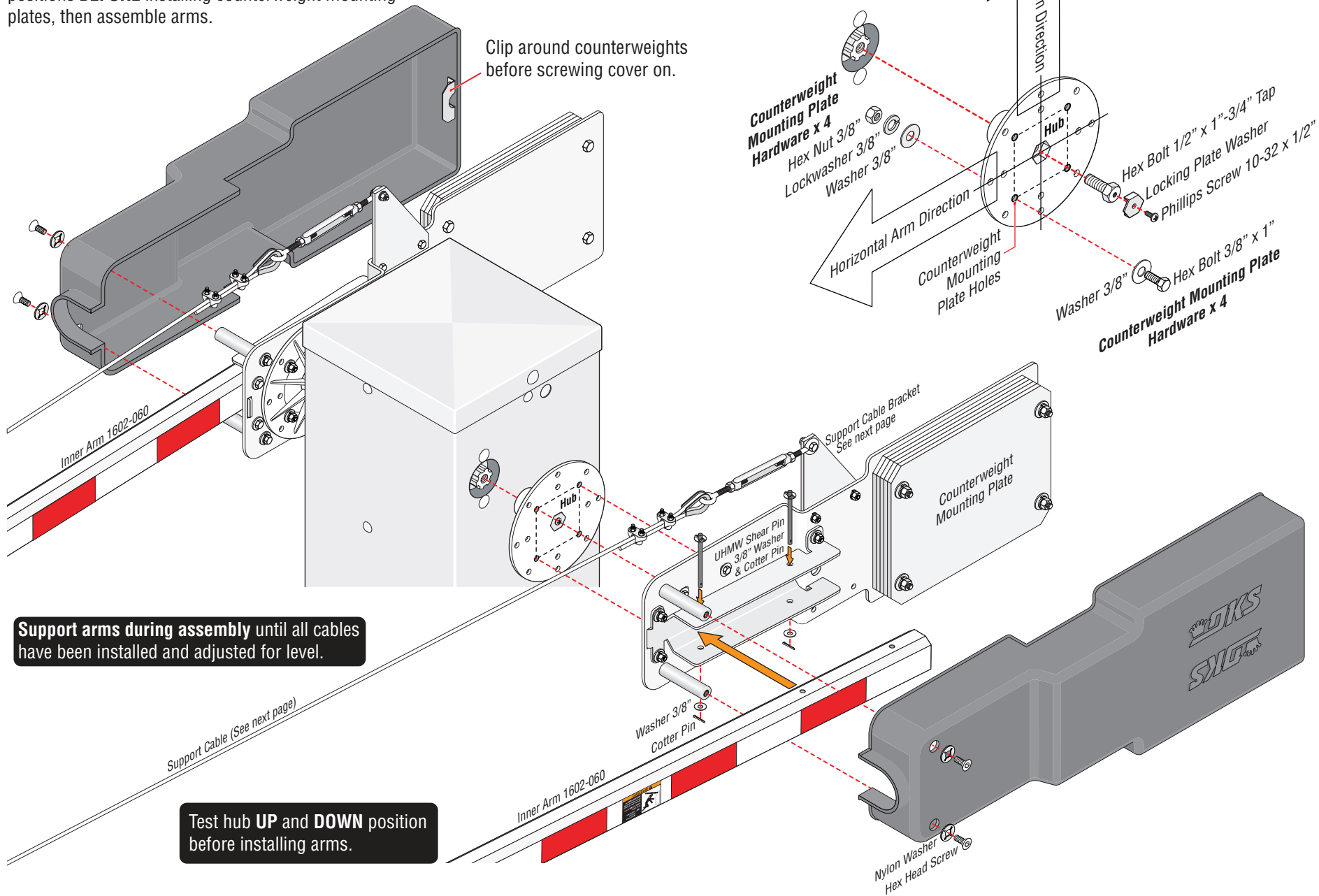
End of Arm Assembly
 (Used for the 20 ft arm **ONLY**. NO Support Cables)
 Red Plastic End Cap
 20 Ft Arm 1602-063



Copyright 2023 DoorKing®, Inc. All rights reserved.

Counterweight Assembly

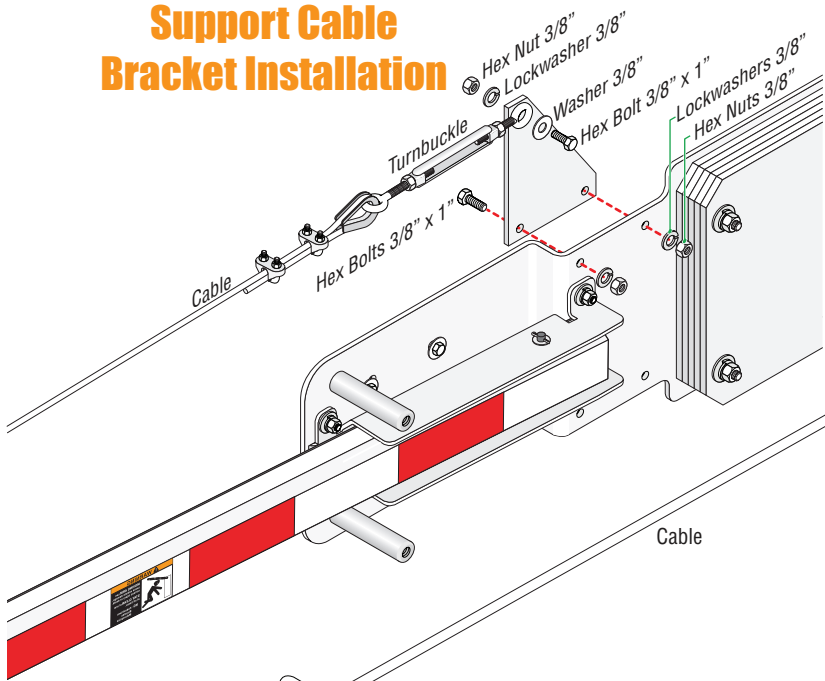
Mount hubs on operator **FIRST** Test hubs **UP** and **DOWN** positions **BEFORE** installing counterweight mounting plates, then assemble arms.



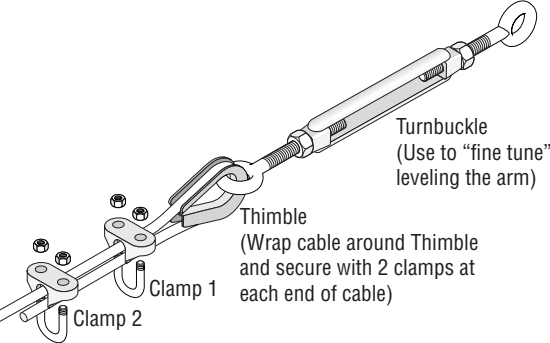
Support arms during assembly until all cables have been installed and adjusted for level.

Test hub **UP** and **DOWN** position before installing arms.

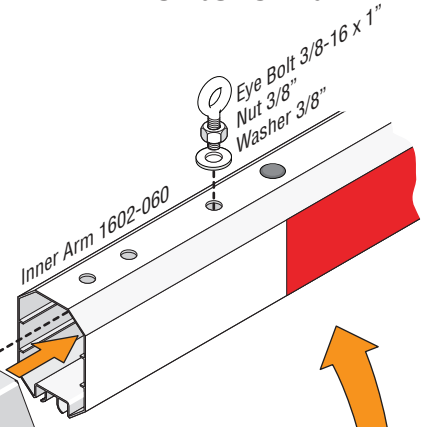
Support Cable Bracket Installation



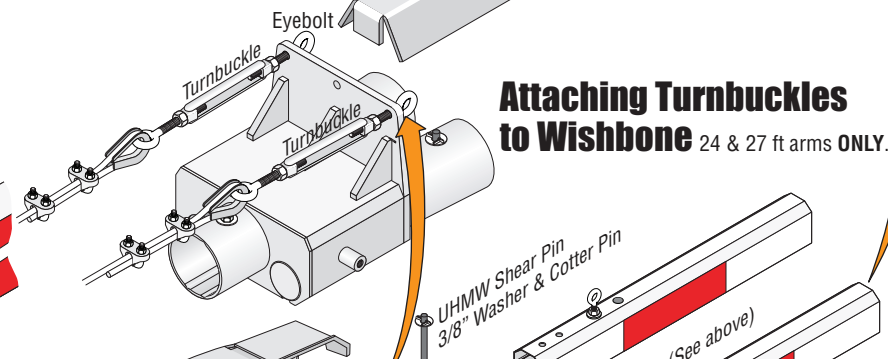
Typical Support Cable Installation



Inner Arms Assembly (Wishbone End)

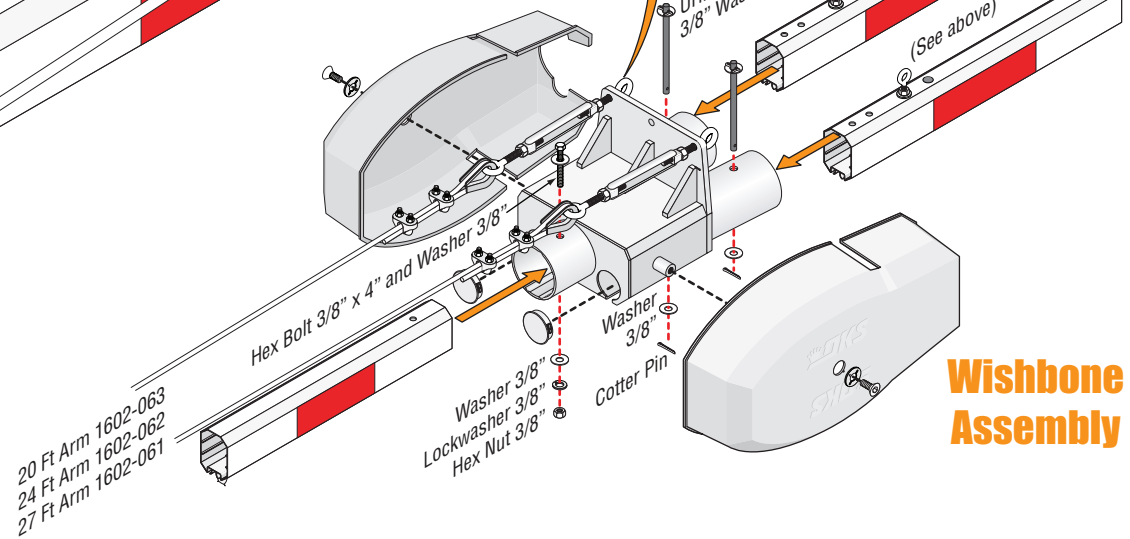
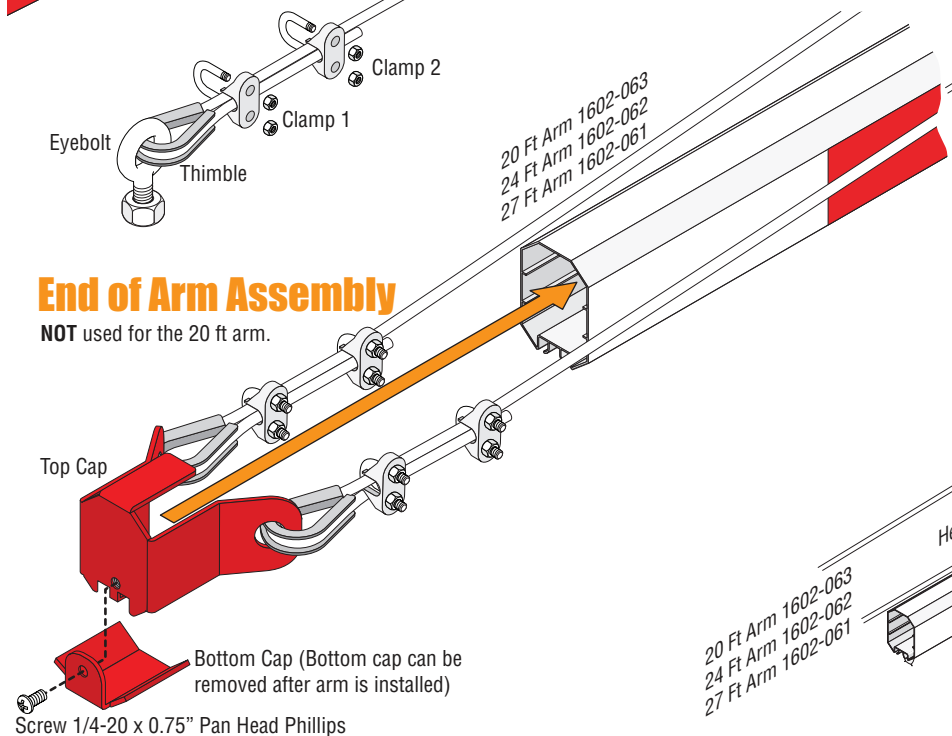


Attaching Turnbuckles to Wishbone 24 & 27 ft arms ONLY.



End of Arm Assembly

NOT used for the 20 ft arm.



Wishbone Assembly