

1601 - 154 115VAC 3.3 Amp HEATER / FAN KIT

DoorKing Part Number

1601-154

115VAC Model
3.3 Amp

This kit is designed for DoorKing **6050/6100, 6300, 9000, 9024 AC Powered 115 VAC Input power ONLY, 9050/9100, 9150, 1601/1602/1603 and 6550** model gate operators. For cold weather climates where temperatures routinely drop below 10°F (-12°C). A built-in thermostat will automatically control the temperature inside operator housing. Find **your specific operator** on next 8 pages.

DO NOT USE the “high voltage wire size and distance limitations” table in the Installation/Owner’s manuals to determine the high voltage AC input power wire size and distance limitations for the gate operator because of a **much greater current draw** when using the heater.

Use the wire run tables in this manual to determine the wire size and distances for **your chosen gate operator when a heater is installed**.



If the high voltage AC input power wiring is greater than the maximum distance shown, it is recommended that a service feeder be installed.

When large gauge wire is used, a separate junction box must be installed for the operator connection. Wire run calculations are based on NEC 310.15(B)(16) with a maximum voltage drop of 3%. These wire runs are a general guideline but these distances may vary.

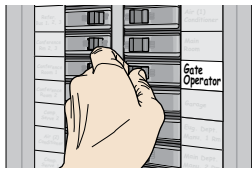
Never run low voltage rated wire insulation in the same conduit as high voltage rated wire insulation. Keep them in separate conduits.

6050 / 6100

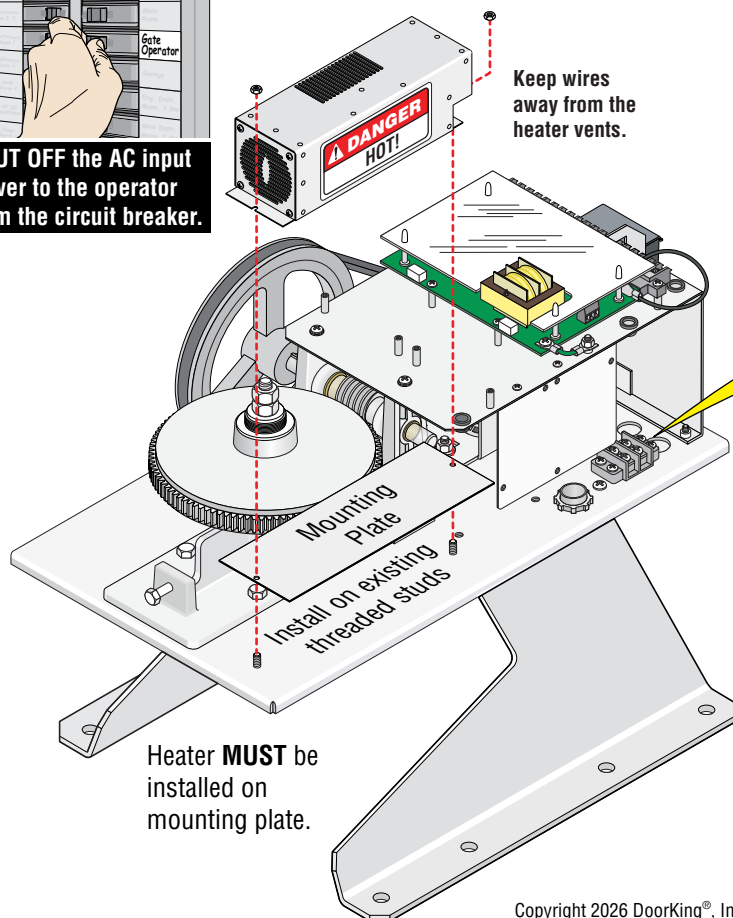
High voltage AC input wire size and distance limitations for a single gate operator with a heater.

Model	Horsepower	Volts	Operator and Heater Amps	Wire Size / Max Distance in Feet			
				12 AWG	10 AWG	8 AWG	6 AWG
	1/2 HP	115	8.7	100	150	250	400
Wire run distances are shown for a single 6050 operator with heater. In bi-parting (dual) gate applications, reduce the distance by one-half.							
	1/2 HP	115	8.7	100	150	250	400
Wire run distances are shown for a single 6100 operator with heater. In bi-parting (dual) gate applications, reduce the distance by one-half.							

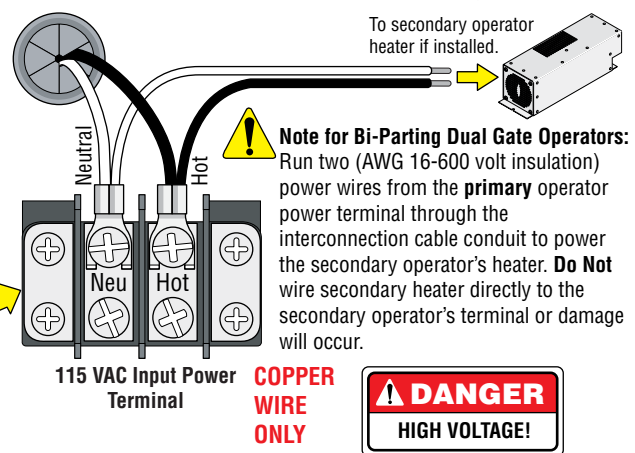
SHUT-OFF POWER!



SHUT OFF the AC input power to the operator from the circuit breaker.



Power Connection



Heater Switch



ON - Normal setting. Automatically turns the heater and fan **ON** when the temperature drops below 40°F (4°C) inside the operator, and turns the heater and fan **OFF** when the temperature rises above 55°F (13°C) inside the operator.


OFF - Turns the heater and fan off.



120 S. Glasgow Avenue
Inglewood, California 90301 U.S.A.

IMPORTANT: DO NOT install this heater kit if your gate operator has the optional **high voltage** kit installed on it.

High voltage AC input wire size and distance limitations for a single gate operator with a heater.

Model	Horsepower	Volts	Operator and Heater Amps	Wire Size / Max Distance in Feet			
				12 AWG	10 AWG	8 AWG	6 AWG
	1/2 HP	115	8.7	100	150	250	400
	1 HP	115	13.0	60	100	160	260

Wire run distances are shown for a single 6300 operator with heater. In bi-parting (dual) gate applications, reduce the distance by one-half.

Heater Switch

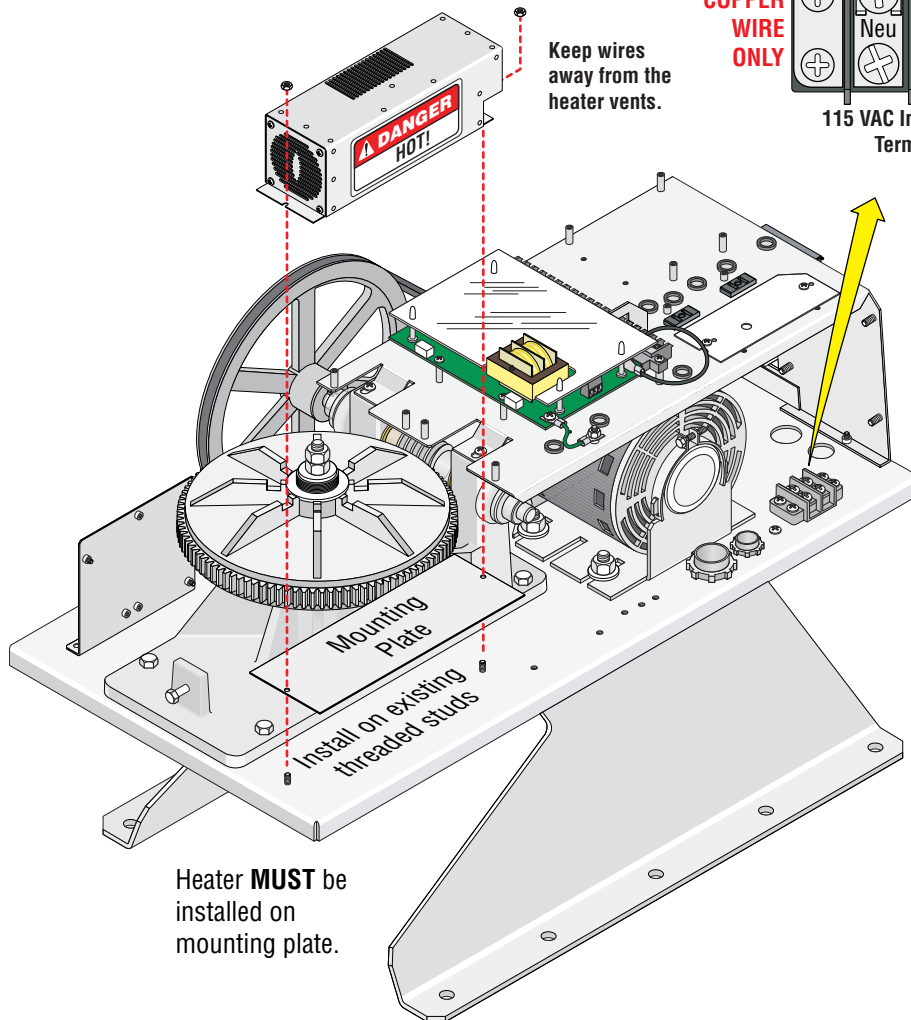
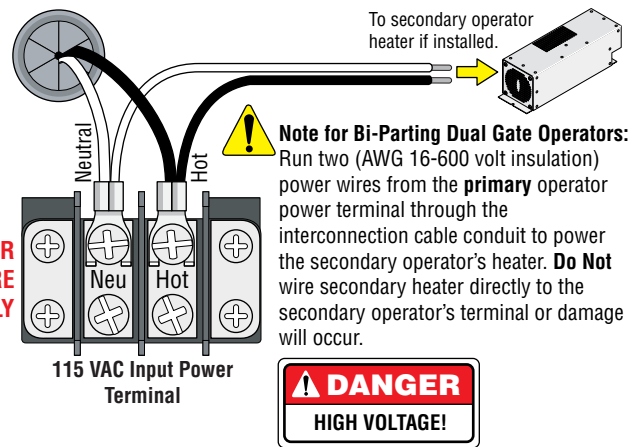


ON - Normal setting. Automatically turns the heater and fan **ON** when the temperature drops below 40°F (4°C) inside the operator, and turns the heater and fan **OFF** when the temperature rises above 55°F (13°C) inside the operator.

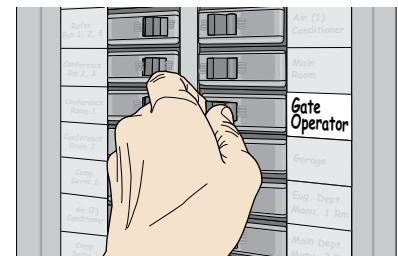
OFF - Turns the heater and fan off.

Power Connection

Connect the heater power wires.




SHUT-OFF POWER!



SHUT OFF the AC input power to the operator from the circuit breaker.

IMPORTANT: DO NOT install this heater kit if your gate operator has the optional high voltage kit installed on it.

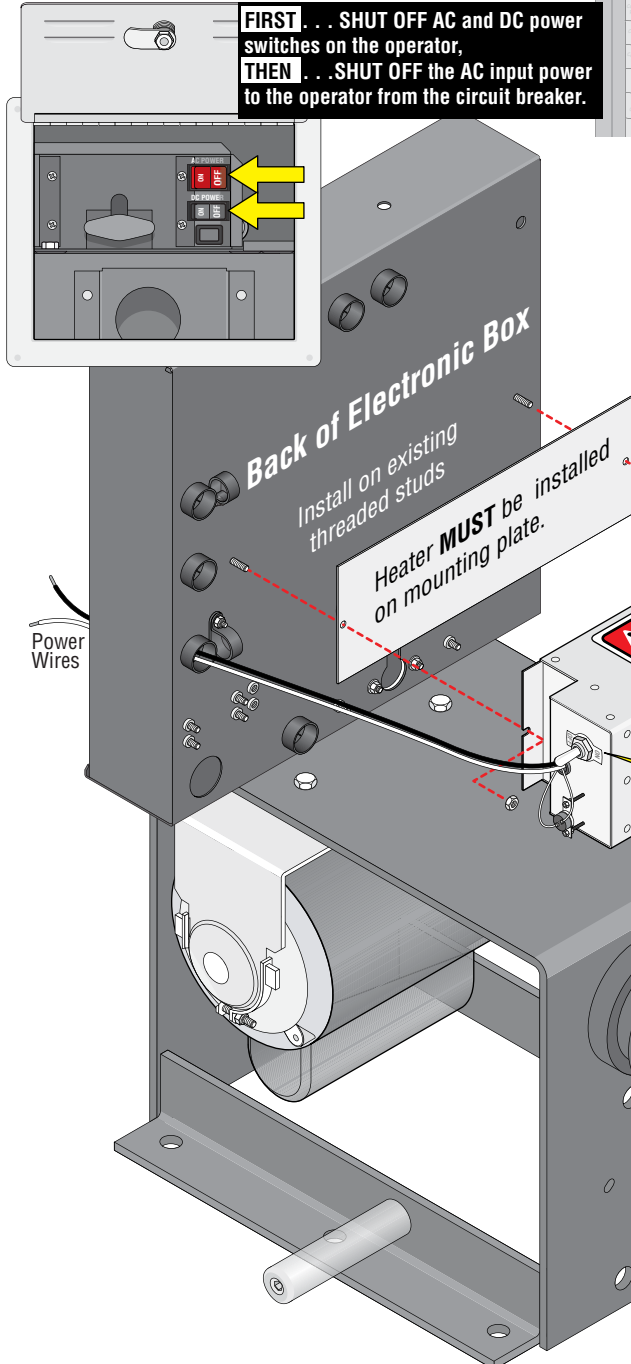
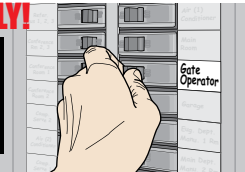
High voltage AC input wire size and distance limitations for a single gate operator with a heater.

Model	Horsepower	Volts	Operator and Heater Amps	Wire Size / Max Distance in Feet			
				12 AWG	10 AWG	8 AWG	6 AWG
	1/2 HP	115	8.7	100	150	250	400
	1 HP	115	13.0	60	100	160	260

Wire run distances are shown for a single 9000 operator with heater. In bi-parting (dual) gate applications, reduce the distance by one-half.

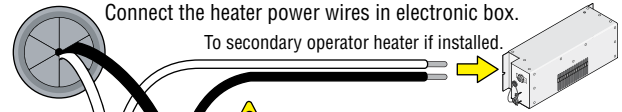
SHUT-OFF POWER to AC Powered Operator ONLY!

FIRST . . . SHUT OFF AC and DC power switches on the operator,
THEN . . . SHUT OFF the AC input power to the operator from the circuit breaker.

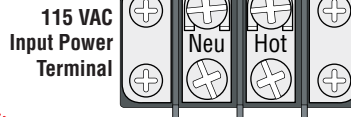


Power Connection

Connect the heater power wires in electronic box.
 To secondary operator heater if installed.



Note for Bi-Parting Dual Gate Operators:
 Run two (AWG 16-600 volt insulation) power wires from the **primary** operator power terminal through the interconnection cable conduit to power the secondary operator's heater. **Do Not** wire secondary heater directly to the secondary operator's terminal or damage will occur.



COPPER WIRE ONLY



Keep wires away from the heater vents.

Heater Switch



ON - Normal setting. Automatically turns the heater **ON** when the temperature drops below 40°F (4°C) inside the operator, and turns the heater **OFF** when the temperature rises above 55°F (13°C) inside the operator.

OFF - Turns the heater off.

Note: Operator illustrated without some components to better show heater mounting location.




120 S. Glasgow Avenue
 Inglewood, California 90301 U.S.A.

9024 AC Powered 115 VAC ONLY

DoorKing Part Number
1601-154

High voltage AC input wire size and distance limitations for a single gate operator with a heater.

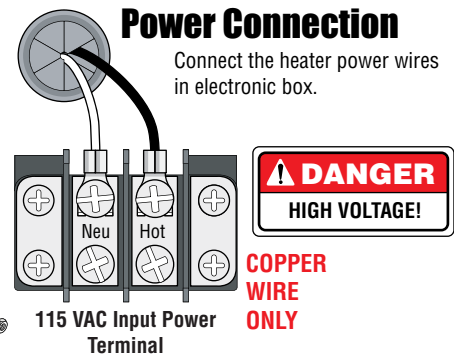
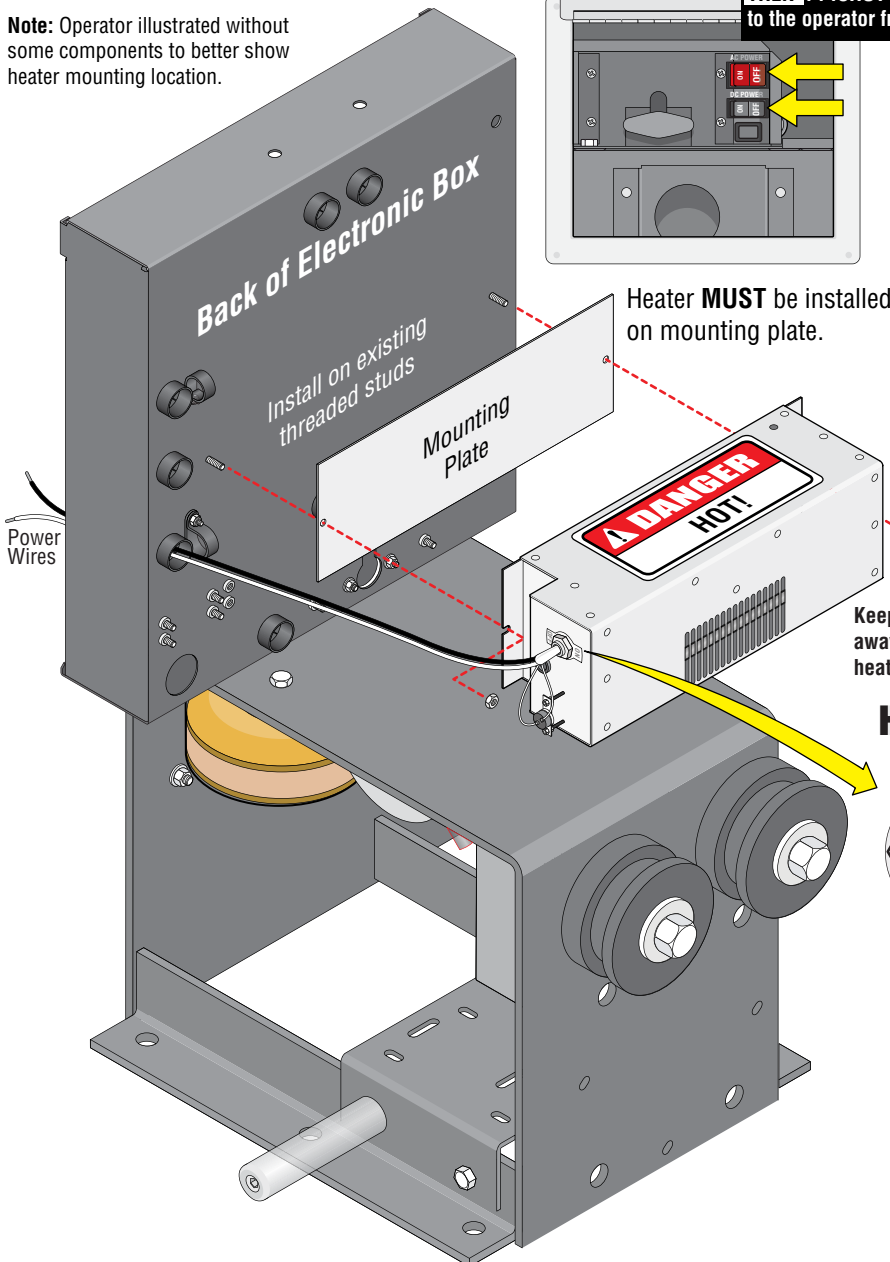
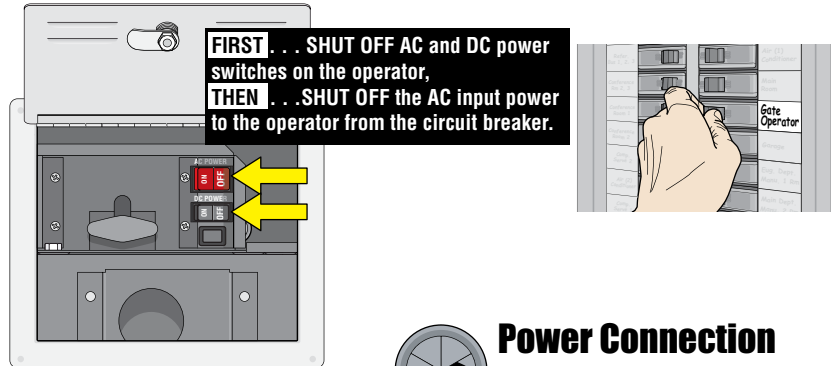
Model	Horsepower	Volts	Operator and Heater Amps	Wire Size / Max Distance in Feet			
				12 AWG	10 AWG	8 AWG	6 AWG
	Quadra Drive DC Motor	115 ONLY	5.1	170	270	430	680

In bi-parting (dual) gate applications, high voltage AC power is required for EACH 9024 AC Powered 115 VAC operator with heater.

NO Solar Powered Operator

SHUT-OFF POWER to AC Powered Operator ONLY!

Note: Operator illustrated without some components to better show heater mounting location.



Keep wires away from the heater vents.

Heater Switch





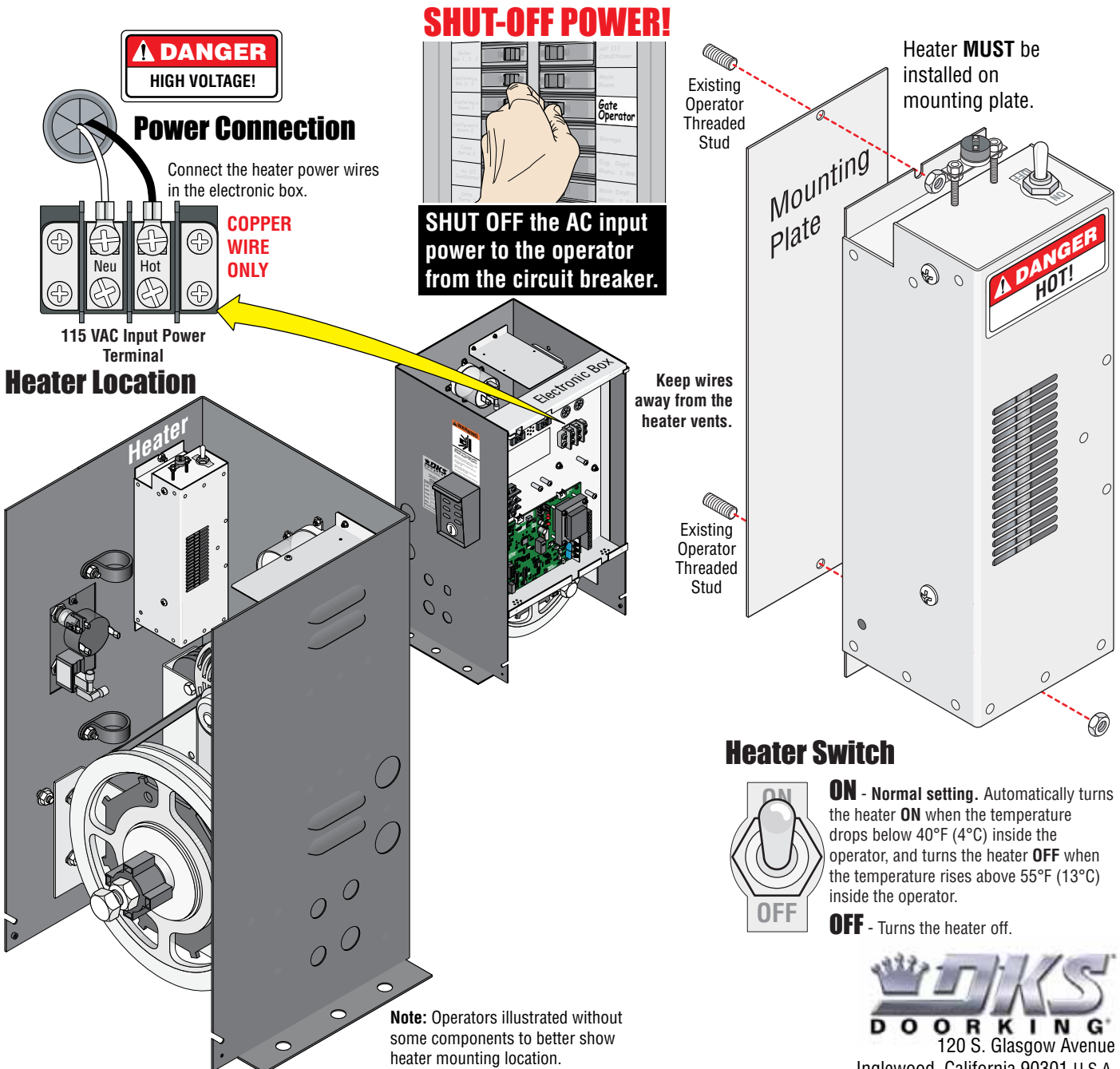
ON - Normal setting. Automatically turns the heater **ON** when the temperature drops below 40°F (4°C) inside the operator, and turns the heater **OFF** when the temperature rises above 55°F (13°C) inside the operator.

OFF - Turns the heater off.




High voltage AC input wire size and distance limitations for a single gate operator with a heater.

Model	Horsepower	Volts	Operator and Heater Amps	Wire Size / Max Distance in Feet			
				12 AWG	10 AWG	8 AWG	6 AWG
	1/2 HP	115	8.7	100	150	250	400
In bi-parting (dual) gate applications, high voltage AC power is required for EACH 9050 operator with heater.							
	1/2 HP	115	8.7	100	150	250	400
In bi-parting (dual) gate applications, AC input power is required for EACH 9100 operator with heater.							



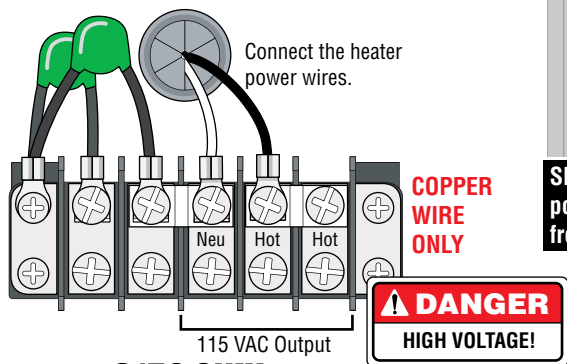
IMPORTANT: DO NOT install this heater kit if your gate operator has the optional **high voltage kit** installed on it.

High voltage AC input wire size and distance limitations for a single gate operator with a heater.

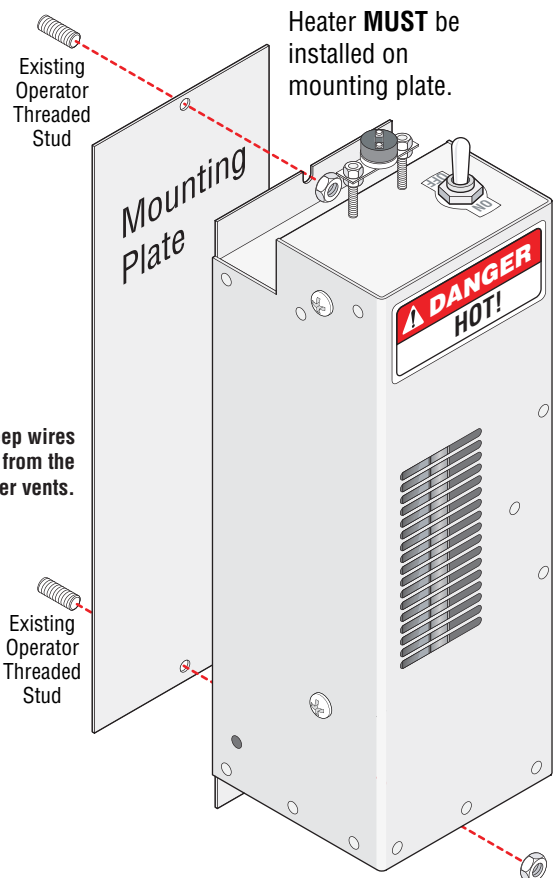
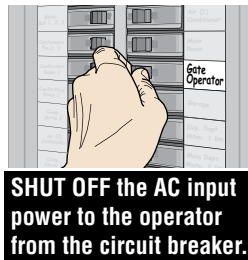
Model	Horsepower	Volts	Operator and Heater Amps	Wire Size / Max Distance in Feet			
				12 AWG	10 AWG	8 AWG	6 AWG
	1/2 HP	115	8.7	100	150	250	400
	1 HP	115	13.0	60	100	160	260

In bi-parting (dual) gate applications, high voltage AC power is required for EACH 9150 operator with heater.

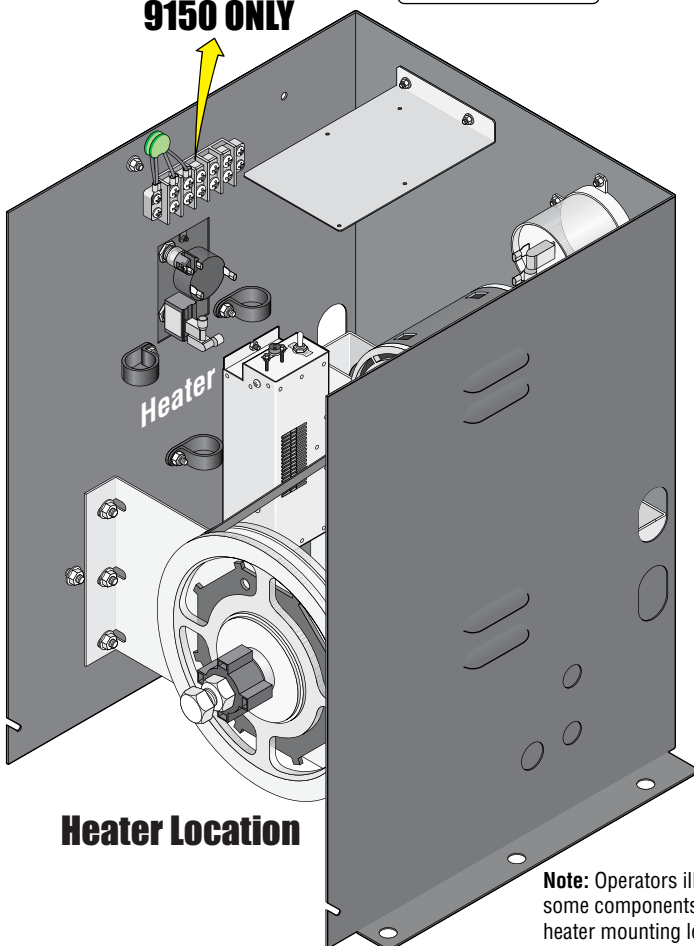
Power Connection



SHUT-OFF POWER!



9150 ONLY



Heater Location

Note: Operators illustrated without some components to better show heater mounting location.

Heater Switch



ON - Normal setting. Automatically turns the heater **ON** when the temperature drops below 40°F (4°C) inside the operator, and turns the heater **OFF** when the temperature rises above 55°F (13°C) inside the operator.

OFF - Turns the heater off.



120 S. Glasgow Avenue
Inglewood, California 90301 U.S.A.

1601 / 1602 / 1603 Barrier Gate Operators

DoorKing Part Number
1601-154

IMPORTANT: DO NOT install this heater kit if your gate operator has the optional high voltage kit installed on it.

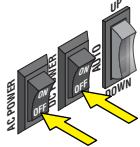
High voltage AC input wire size and distance limitations for a single gate operator with a heater.

Model	Horsepower	Volts	Operator and Heater Amps	Wire Size / Max Distance in Feet			
				12 AWG	10 AWG	8 AWG	6 AWG
1601 / 1603	1/2 HP	115	8.7	100	150	250	400
1602	1 HP	115	13.0	60	100	160	260

In bi-parting (dual) gate applications, high voltage AC power is required for EACH 1601 or 1602 operator with heater.

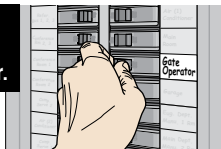
SHUT-OFF POWER for AC/DC Models!

FIRST . . . SHUT OFF AC and DC power switches on the operator,
THEN . . . SHUT OFF the AC input power to the operator from the circuit breaker.



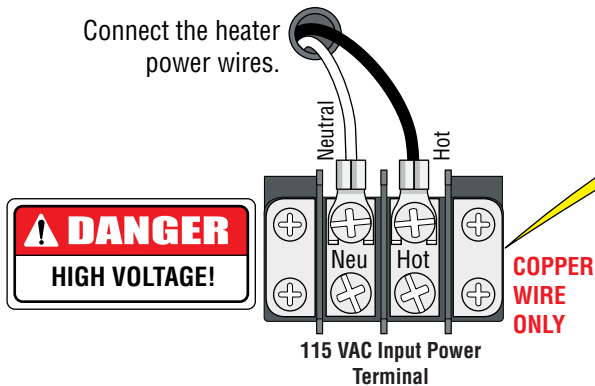
SHUT-OFF POWER for AC Models!

SHUT OFF the AC input power to the operator from the circuit breaker.



Power Connection

Connect the heater power wires.

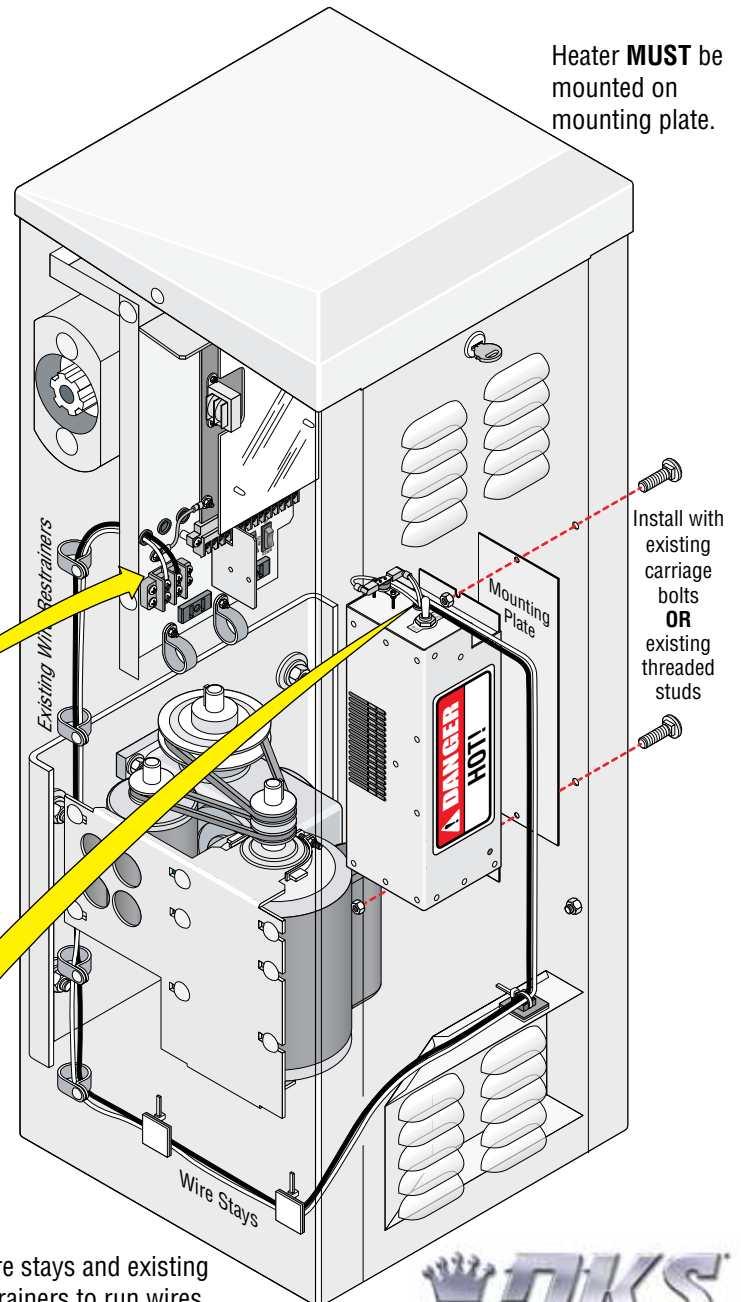


Heater Switch



ON - Normal setting. Automatically turns the heater and fan **ON** when the temperature drops below 40°F (4°C) inside the operator, and turns the heater and fan **OFF** when the temperature rises above 55°F (13°C) inside the operator.

OFF - Turns the heater/fan off.



Use supplied wire stays and existing wire restrainers to run wires. **Keep wires clear of all moving parts and the heater vents.**




120 S. Glasgow Avenue
Inglewood, California 90301 U.S.A.

6550

IMPORTANT: DO NOT install this heater kit if your gate operator has the optional **high voltage kit** installed on it.

High voltage AC input wire size and distance limitations for a single gate operator with a heater.

Model	Horsepower	Volts	Operator and Heater Amps	Wire Size / Max Distance in Feet			
				12 AWG	10 AWG	8 AWG	6 AWG
	1 HP	115	13.0	60	100	160	260

Wire run distances are shown for a single 6550 operator with heater. In bi-parting (dual) gate applications, reduce the distance by one-half.

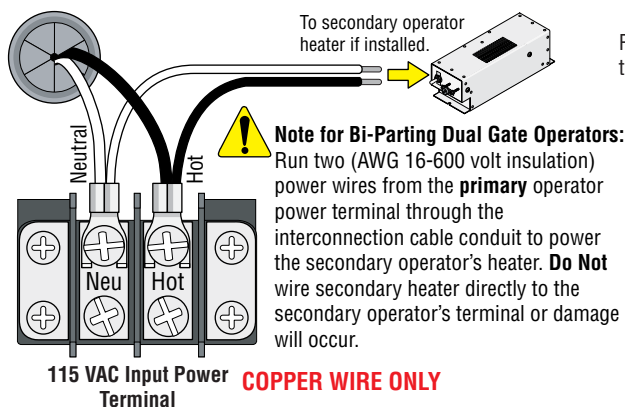
SHUT-OFF POWER!



SHUT OFF the AC input power to the operator from the circuit breaker.

Power Connection

Connect the heater power wires.



Heater Switch



ON - Normal setting. Automatically turns the heater and fan **ON** when the temperature drops below 40°F (4°C) inside the operator, and turns the heater and fan **OFF** when the temperature rises above 55°F (13°C) inside the operator.

OFF - Turns the heater and fan off.

