

# 1601-093 115 VAC FAN KIT - NO HEATER

DoorKing Part Number

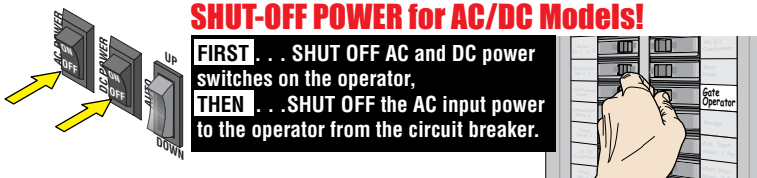
**1601-093**

This kit is designed for the 1600 model barrier gate operators. Recommended for hot and humid climates. An automatic thermostat will control heat and humidity inside operator housing.

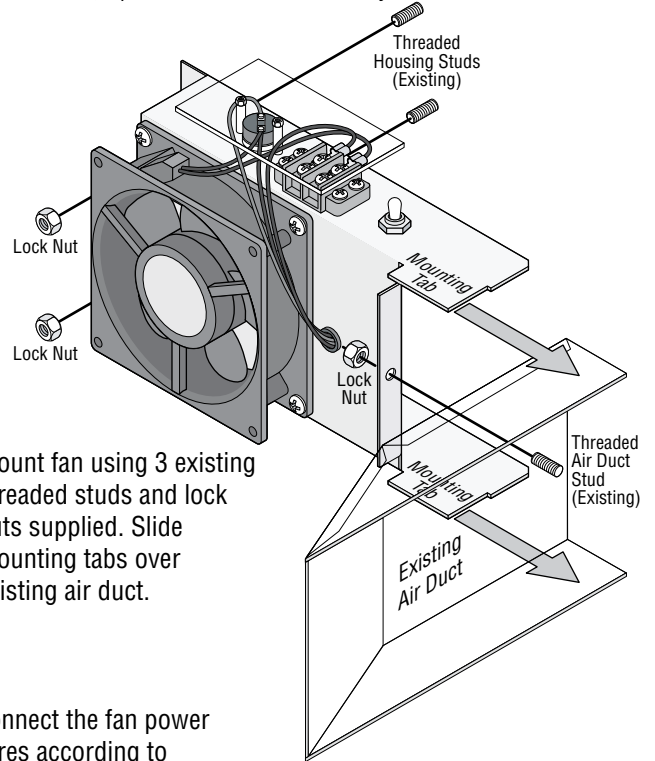
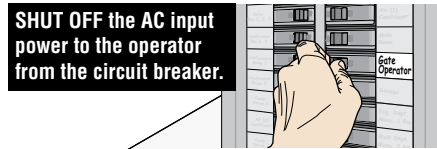
## Installation

**Kit Includes:** Fan Assembly with black and white wires, 5 wire ties, 3 double stick wire tie mounts, 2 plastic wire restrainers and 3 nylon lock nuts.

### 1 Shut off ALL power to operator

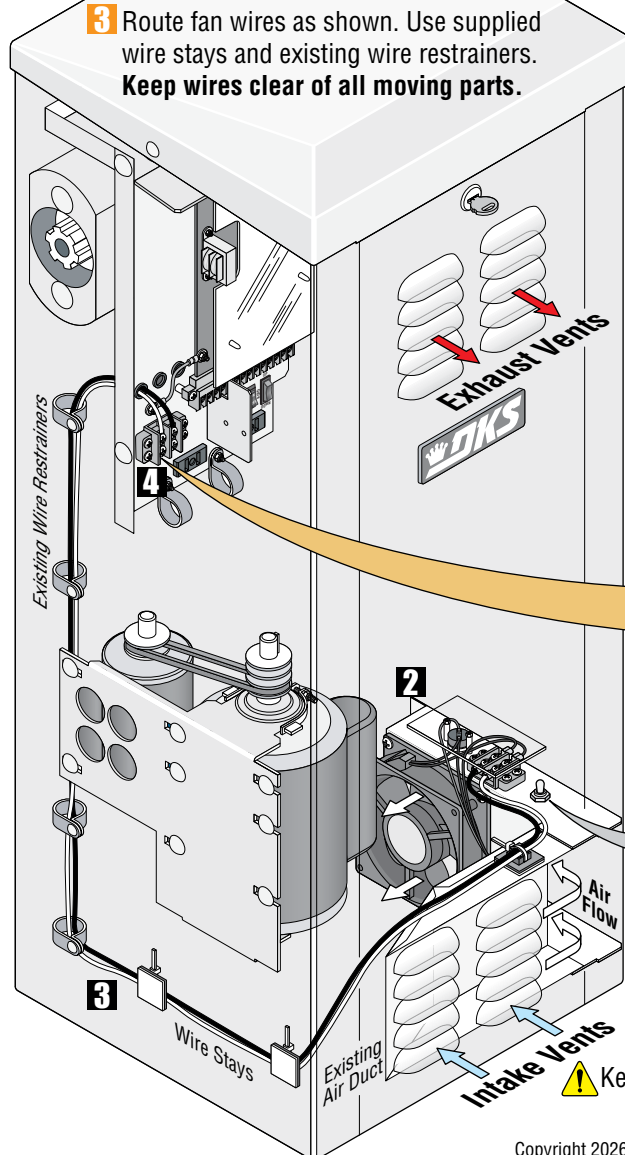


### SHUT-OFF POWER for AC Models!

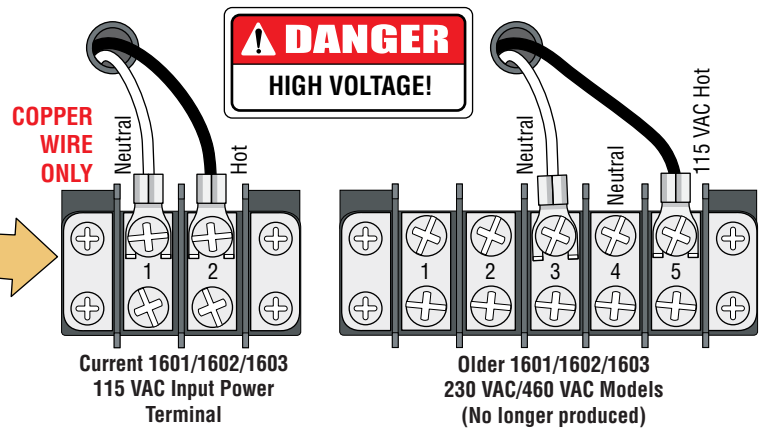


**2** Mount fan using 3 existing threaded studs and lock nuts supplied. Slide mounting tabs over existing air duct.

**4** Connect the fan power wires according to operator model type.



**3** Route fan wires as shown. Use supplied wire stays and existing wire restrainers. Keep wires clear of all moving parts.



**5** Fan switch settings.

**ON** - Turns the fan on continuously.

**OFF** - Turns the fan off.

**AUTO** - Normal setting. Automatically turns the fan **ON** when the temperature rises above 90°F inside the housing, and turns the fan **OFF** when the temperature drops below 90°F.



120 S. Glasgow Avenue  
Inglewood, California 90301 U.S.A.