

OCTAGON FOLDING ARM INSTALLATION

This arm is designed **ONLY** for the 1601 and 1603 model barrier gate operators **with or without Reverse Edge & LEDs**. Recommended for low headroom applications.

DoorKing Part Numbers:

1601-812

2-6ft Folding Octagon Arms

1601-242

Standard Mount Hardware Kit

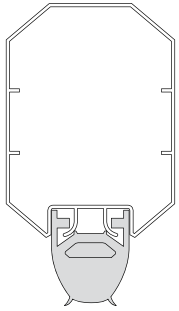
1601-822

2-Reverse Edge & LEDs Kit

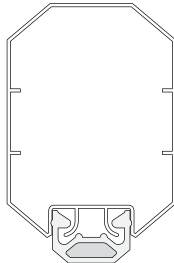
8080-089

Rubber Bumper

General Layout



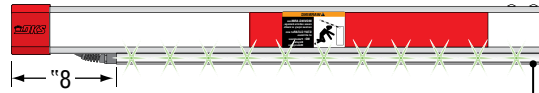
Reverse Edge & LEDs



Rubber Bumper

Tip: Liquid soap will help edges slide on easier.

LED Arm Raised - Green Lights



Choose: Reverse Edge & LEDs **OR** Rubber Bumper **OR** Nothing

IMPORTANT: Reversing edge **CANNOT** be shorten.

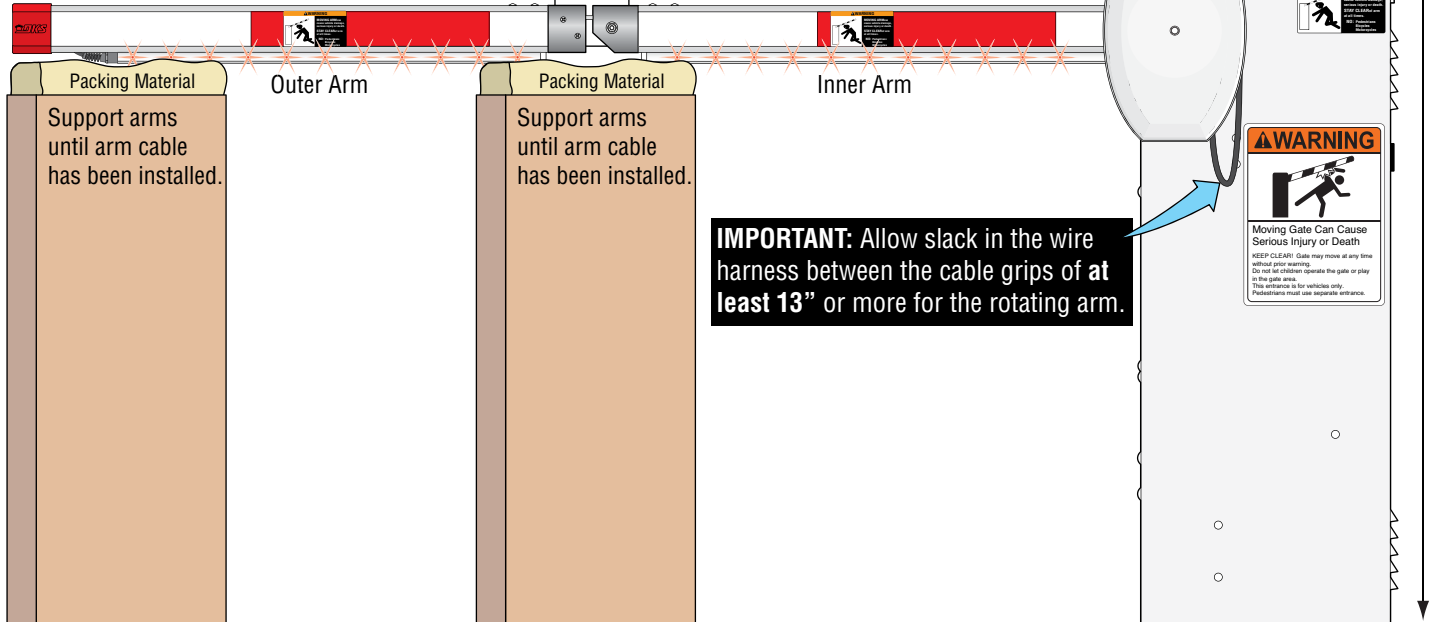
1601:
109"

1603:
113"

Adjust arm cable with eyebolt and cable clamps to level outer arm in **DOWN** position **ONLY**. **IMPORTANT: DO NOT** adjust arm cable too tight or it will bind when operating.

LED Arm Lowered - Red Lights

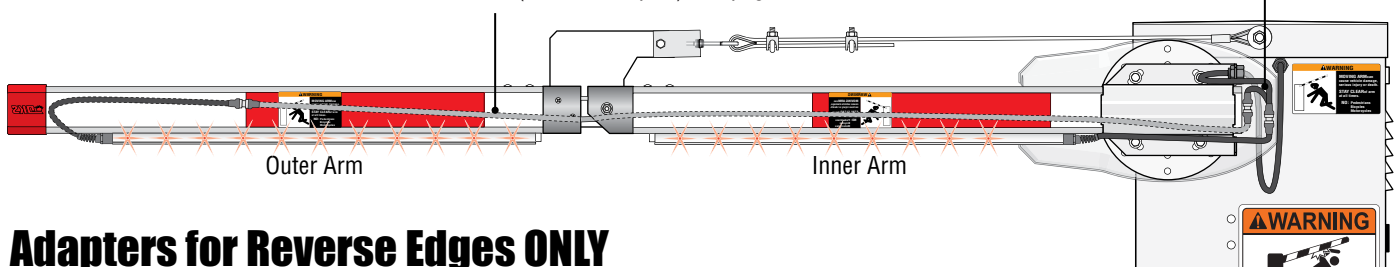
Drawings not to scale



IMPORTANT: Allow slack in the wire harness between the cable grips of **at least 13"** or more for the rotating arm.

1601-391 (17ft Long Adapter) runs **inside** arms and thru elbow to end of arm where it's connected to 1601-390 (2 into 1 Adapter) See page 4.

1601-390 (2 into 1 Adapter)



Adapters for Reverse Edges ONLY

1601-288-B-10-21

Installation Guidelines

DoorKing Part Numbers:

1601-812

2-6ft Folding Octagon Arms

1601-242

Standard Mount Hardware Kit

1601-822

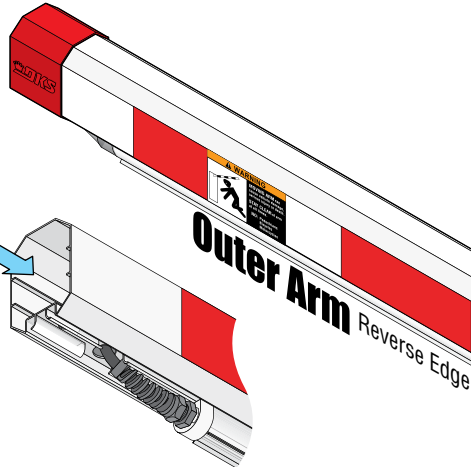
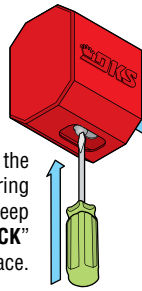
2-Reverse Edge & LEDs Kit

8080-089

Rubber Bumper

End Cap

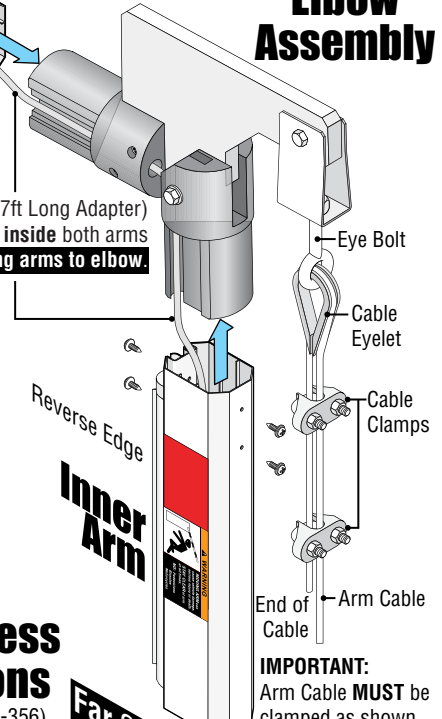
Push a screwdriver through the hole in cap to release spring **while** pushing cap on. Keep pushing cap on until a "CLICK" is heard which locks it in place.



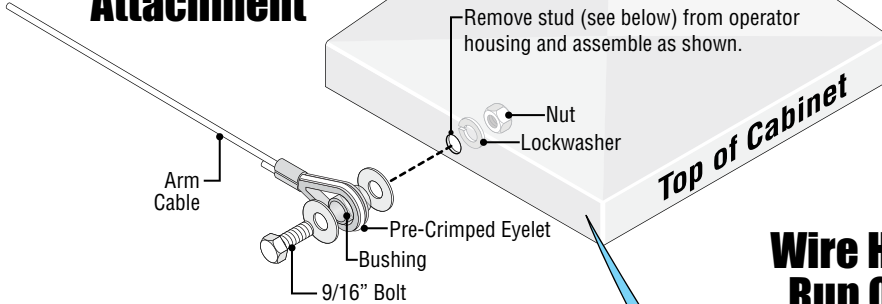
Self-Tapping Screws through Pre-Drilled Holes in Top and Bottom of EACH Arm.

Elbow Assembly

IMPORTANT: Place 1601-391 (17ft Long Adapter) thru elbow and inside both arms **BEFORE** securing arms to elbow.



Folding Arm Cable Attachment



Remove stud (see below) from operator housing and assemble as shown.

Nut
Lockwasher

Arm Cable
Pre-Crimped Eyelet
Bushing
9/16" Bolt

Wire Harness Run Options

(Wire Harness 1601-356)

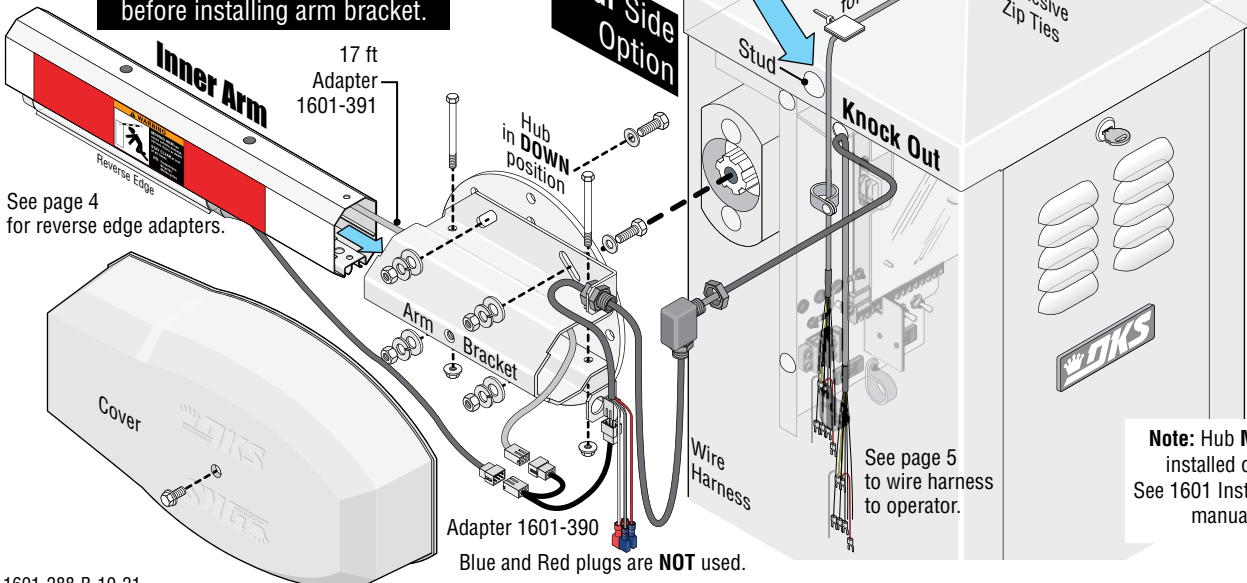
Far Side Option

IMPORTANT: Arm Cable **MUST** be clamped as shown.

Arm Connection to Operator

Choose which side of the operator the arm is mounted on, remove knock-out and run wire harness accordingly as shown.

Test hub UP and DOWN position before installing arm bracket.



17 ft Adapter 1601-391

Hub in DOWN position

See page 4 for reverse edge adapters.

Cover

Adapter 1601-390

Blue and Red plugs are **NOT** used.

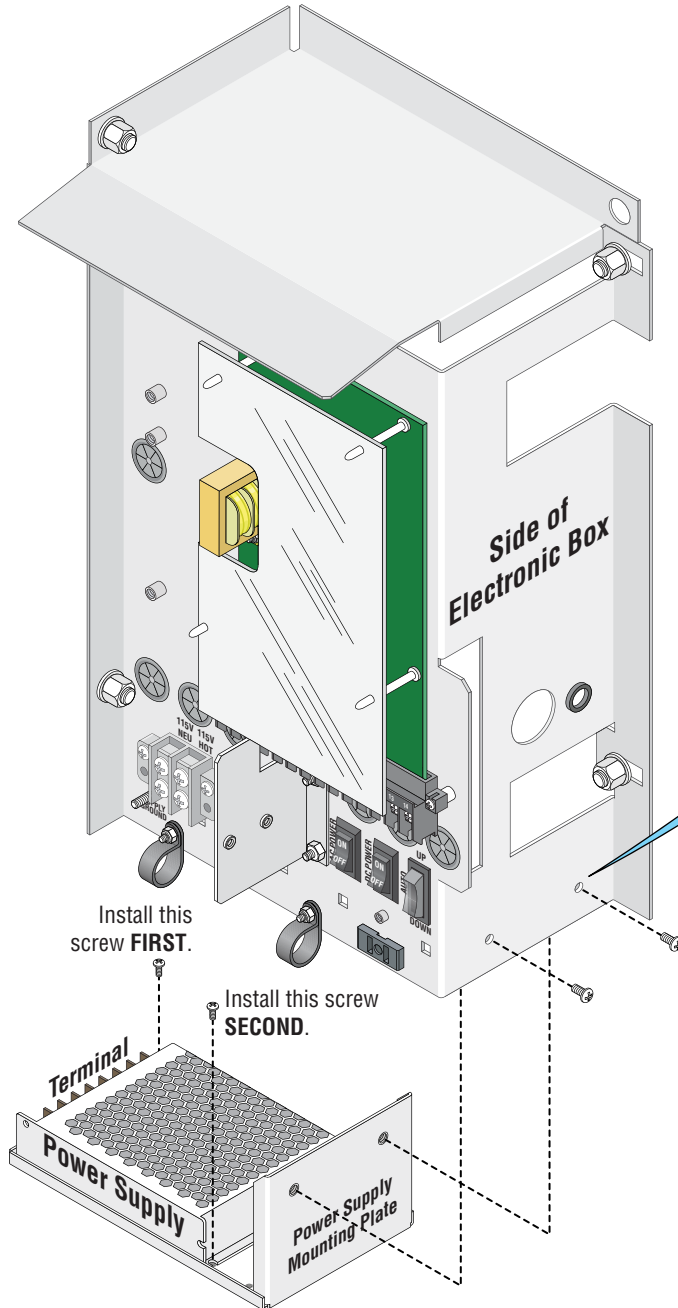
See page 5 to wire harness to operator.

Note: Hub **MUST** already be installed on gate operator. See 1601 Installation/Owner's manual for correct hub installation.

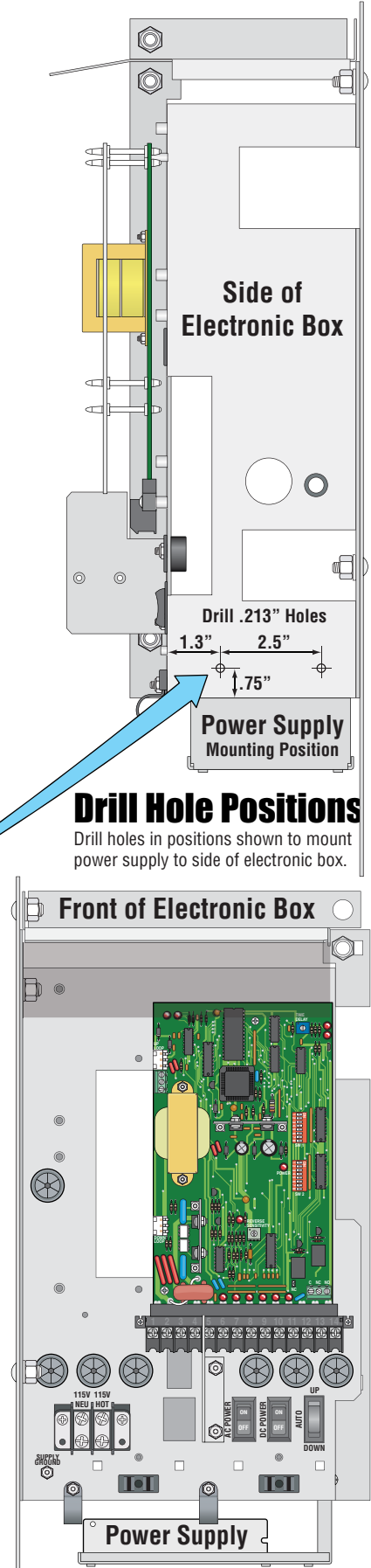
Mount Power Supply

DoorKing Part Number:
1601-822
2-Reverse Edge & LEDs Kit

IMPORTANT: Power supply **MUST** be wired **BEFORE** mounting it as shown. See page 5.



Mount Power Supply



Reverse Edge Folding Arm Connection

DoorKing Part Number:
1601-822
 2-Reverse Edge & LEDs Kit

MAKE SURE ALL POWER IS TURNED OFF TO OPERATOR!

