

KEY SWITCHES

ACCESS CONTROL



THE SIMPLE SOLUTION THAT GRANTS YOU ACCESS

- Provides convenience and security for basic access control applications
- Designed for outdoor or indoor use
- Can be post or surface mounted
- Two keys supplied with each unit
- Mortise cylinders used on 1207 and 1209 models. Ace cylinder used on 1210 model
- Options on model 1209 includes a speaker and push button for connection to an existing intercom system
- Each key switch is housed in a rugged steel cabinet with a stainless steel faceplate making these switches vandal resistant
- 2-Year limited factory warranty

- SELF STORAGE • APARTMENT COMPLEX/GATED COMMUNITIES
- RESIDENTIAL • PARKING • APARTMENT/COLLEGE RESIDENTS HALLS



Economical
stand-alone key switches



Mounting
1207, 1209, 1210 can be surface or post mounted for indoor or outdoor use



Compact
1206 mounts in a single-gang electrical box

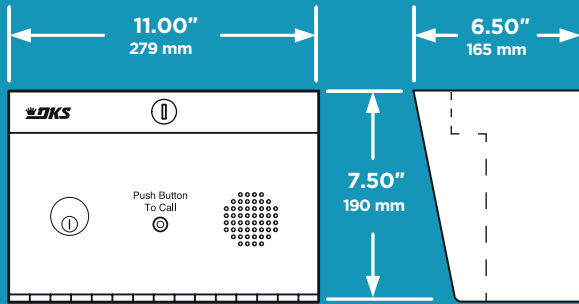


Stainless Steel
faceplate with a rugged steel cabinet

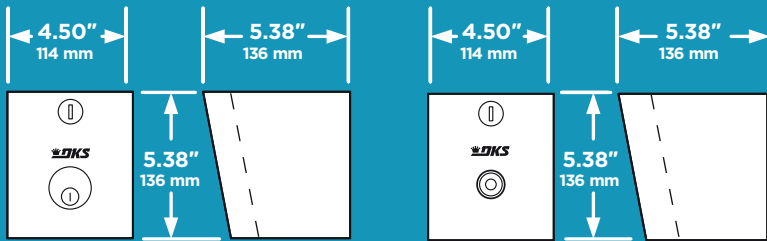


KEY SWITCHES

ACCESS CONTROL

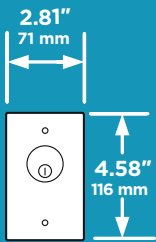


1209



1207

1210



1206

KEY SWITCHES	
TYPE	Basic Access Control
HOLD OPEN CAPABILITY	Model 1210 Only
OUTPUT	Dry Contact Switch
MAX ACCESS POINTS	1
OPERATING TEMPERATURE	-10°F to 140°F (-23°C to 60°C)

TECHNICAL FEATURES

MECHANICAL

- Stainless steel face plates
- 16 gauge steel box painted black

1206

- Mortise type key cylinder can be re-keyed to match existing locks
- Momentary contact switch can be set Normally Open or Normally Closed
- Mounts into a single-gang- electrical box
- For interior applications only

1207

- Mortise type key cylinder can be re-keyed to match existing locks
- Momentary contact switch can be set Normally Open or Normally Closed
- Easy mounting to wall or post
- For exterior or interior use

1209

- Built-in intercom substation can be connected to an existing intercom master station (may not be compatible with some intercom systems)
- Mortise type key cylinder can be re-keyed to match existing locks
- Momentary contact switch can be set Normally Open or Normally Closed
- Push to call button and 8 ohm speaker
- Easy mounting to wall or post
- For exterior or interior use

1210

- High security Ace type key cylinder
- Constant contact normally open
- Easy mounting to wall or post
- For exterior or interior use

MISCELLANEOUS

Operating Temperature: -10°F to 145°F (-23°C to 62°C)

Shipping Weight:
 1206 approx 2 Lb (.9kg)
 1207 approx 4 Lb (1.8kg)
 1209 approx 9 Lb (4kg)
 1210 approx 4 Lb (1.8kg)

DoorKing® Inc.

Access Control Solutions since 1948



120 S. Glasgow Avenue,
 Inglewood, California 90301 U.S.A.
 Tel: 310-645-0023 FAX: 310-641-1586
 www.doorking.com

© 2021 All Rights Reserved.
 Product specifications may
 change without notice. Rev. 5/21



MEMBER:



DISTRIBUTED BY:

