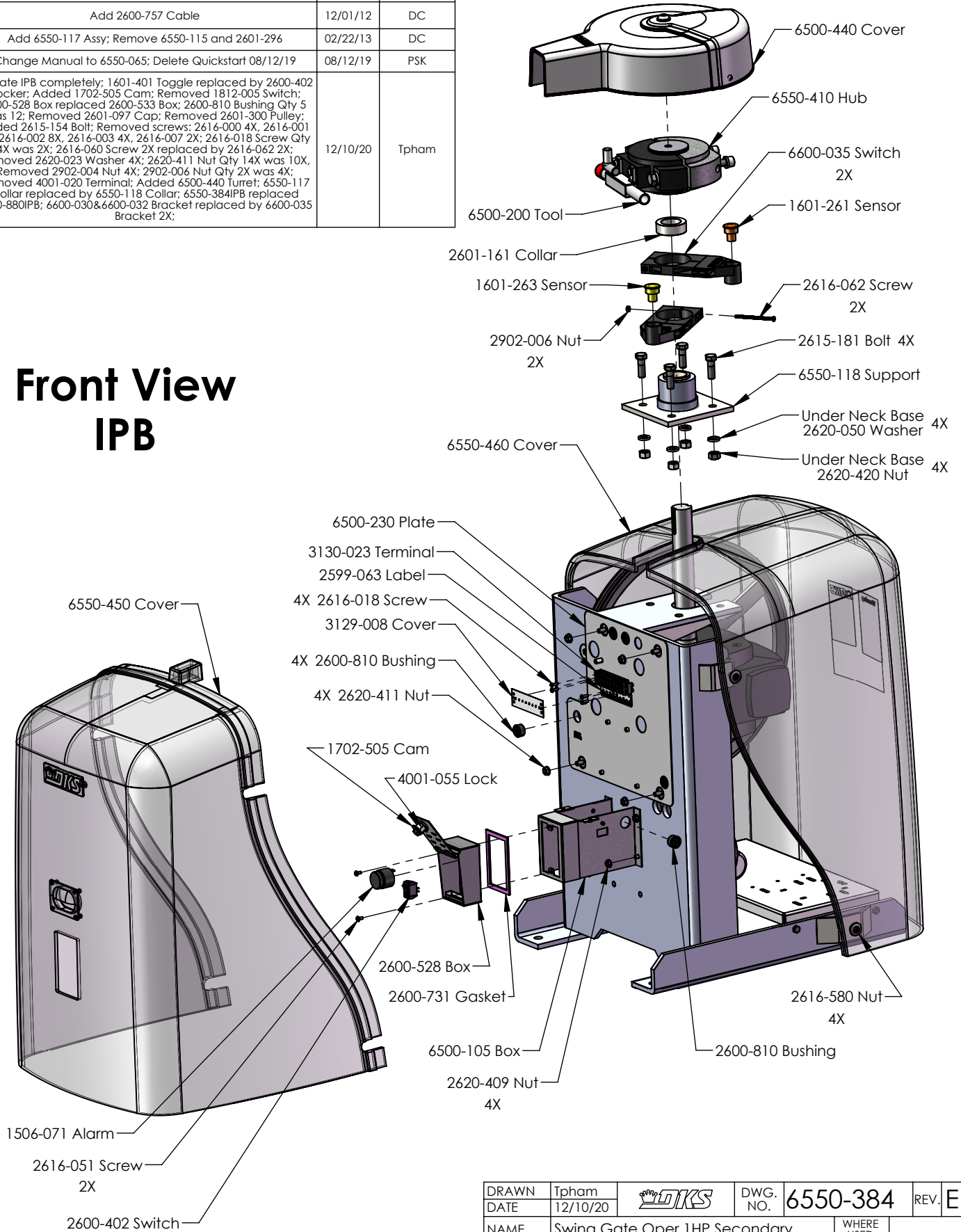


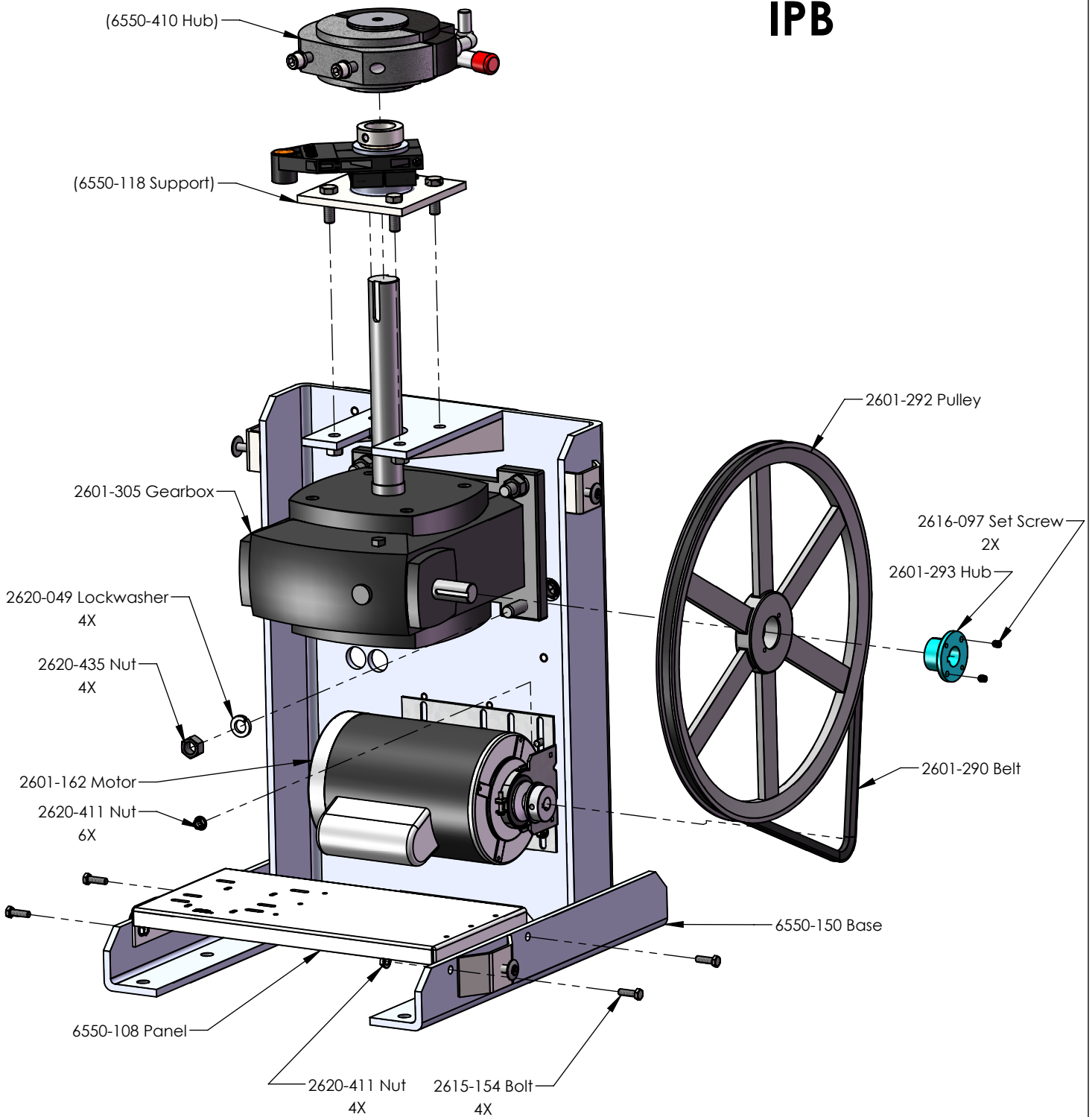
REVISIONS			
REV.	DESCRIPTION	DATE	APPROVED
A	New Product Release	09/30/11	DC
B	Add 2600-757 Cable	12/01/12	DC
C	Add 6550-117 Assy; Remove 6550-115 and 2601-296	02/22/13	DC
D	Change Manual to 6550-065; Delete Quickstart 08/12/19	08/12/19	PSK
E	Update IPB completely; 1601-401 Toggle replaced by 2600-402 Rocker; Added 1702-505 Cam; Removed 1812-005 Switch; 2600-528 Box replaced 2600-533 Box; 2600-810 Bushing Qty 5 was 12; Removed 2601-097 Cap; Removed 2601-300 Pulley; Added 2615-154 Bolt; Removed screws: 2616-000 4X, 2616-001 2X, 2616-002 8X, 2616-003 4X, 2616-007 2X; 2616-018 Screw Qty 4X was 2X; 2616-060 Screw 2X replaced by 2616-062 2X; Removed 2620-023 Washer 4X; 2620-411 Nut Qty 14X was 10X; Removed 2902-004 Nut 4X; 2902-006 Nut Qty 2X was 4X; Removed 4001-020 Terminal; Added 6500-440 Turret; 6550-117 Collar replaced by 6550-118 Collar; 6550-384IPB replaced 6550-880IPB; 6600-030&6600-032 Bracket replaced by 6600-035 Bracket 2X;	12/10/20	Tpham

Front View IPB




DRAWN	Tpham		DWG. NO.	6550-384	REV.	E
DATE	12/10/20		WHERE USED			
NAME	Swing Gate Oper 1HP Secondary					
PROPRIETARY & CONFIDENTIAL: The information contained in this drawing is the sole property of DoorKing, Inc. Any reproduction in part or as a whole without written permission of DoorKing, Inc. is prohibited.						
DO NOT SCALE TO DRAWING	SHEET SIZE	A	SCALE: 1:50	SHEET 1 OF 3		

Back View IPB



DRAWN	Tpham		DWG. NO.	6550-384	REV.	E
DATE	12/10/20		NAME	Swing Gate Oper 1HP Secondary	WHERE USED	
PROPRIETARY & CONFIDENTIAL: The information contained in this drawing is the sole property of DoorKing, Inc. Any reproduction in part or as a whole without written permission of DoorKing, Inc. is prohibited.						
DO NOT SCALE TO DRAWING			SHEET SIZE	A	SCALE:	1:50
					SHEET 2 OF 3	

PartNo	Description	QTY.
1506-071	Tone Generator Alarm Loud	1
1601-261	Switch Mag Sensor Rec Orange	1
1601-263	Switch Mag Sensor Reces Yellow	1
1702-505	Cam 9/16"	1
1860-032	Washer Nylon Retaining #6 (not shown on drawing)	1
2599-063	Label 6500 8 Terminal Master-Slave	1
2599-100	Sign Warning Gate (not shown on drawing)	2
2599-220	Label Caution Remove Rod (not shown on drawing)	1
2600-402	Switch Rocker ON/OFF SnapIn SP	1
2600-528	Switches and Alarm Box	1
2600-731	Gasket Switch Cover	1
2600-757	Wire 9 Conductor Cable 50FT (not shown on drawing)	1
2600-810	Bushing 7/8 Poke Thru Flaps	5
2601-161	Collar 1 1/2" ID	1
2601-162	Motor Assy 1HP Model 6550	1
2601-290	Belt - 62" BX-62	1
2601-292	Pulley 18 3/4" Cast Iron BK190H	1
2601-293	Hub 1" Dia for Pulley 18 3/4"	1
2601-305	Gearbox Sw Gate 6550	1
2615-154	Bolt Hex Head 5/16-18x1	4
2615-181	Bolt Hex Head 1/2-13 x 1 1/2	4
2616-018	Screw Phillips 10-32x3/8	4
2616-051	Screw Phillips 10-32x3/8	2
2616-062	Screw Phillips Head 10-32x3.0 Zinc	2
2616-097	Set Screw 5/16-18x3/8	2
2616-438	Screw Hex 8-32x1/4" (not shown on drawing)	1
2616-580	Nut Barrel 5/16-18 Thread	4
2620-049	Lockwasher 5/8"	4
2620-050	Lockwasher 1/2"	4
2620-409	Nut Hex Flange Lock 5/16-18	4
2620-411	Nut Hex Flange Lock 5/16-18	14
2620-420	Nut Hex 1/2-13	4
2620-435	Nut Hex 5/8-11	4
2902-006	Nut Nylon Locking 10-32	2
3129-008	Terminal Block Cover 8 Position	1
3130-023	Terminal Strip 8 Dual Row Screw	1
4001-055	Lock Cabinet 10025 180deg 16001	1
6500-045	Wire Set Slave 6500 Operator (not shown on drawing)	1
6500-105	Bracket Switch Box-Tfmr Mount	1
6500-200	Tool-Hub Clutch Release	1
6500-230	Plate Mounting Slave Terminal	1
6500-440	Cover Turet Assembly	1
6550-065	Manual Installation Swing Gate (not shown on drawing)	1
6550-108	Panel Transformer Heater	1
6550-118	Collar Bushing 2.75 OD Assy	1
6550-150	Base Stand Swinger 6550	1
6550-410	Hub Assembly 1HP	1
6550-430	Arm Main Assembly (not shown on drawing)	1
6550-450	Cover Front w/Handle	1
6550-460	Cover Back with Labels	1
6600-035	Limit Switch Single Sensor	2
9402-053	Tubing Flex/Split 1/4 OD (not shown on drawing)	2
9402-055	Tubing Flex Split 1/2" (not shown on drawing)	0.2

DRAWN	Tpham		DWG. NO.	6550-384	REV.	E
DATE	12/10/20		NAME	Swing Gate Oper 1HP Secondary	WHERE USED	
PROPRIETARY & CONFIDENTIAL: The information contained in this drawing is the sole property of DoorKing, Inc. Any reproduction in part or as a whole without written permission of DoorKing, Inc. is prohibited.						
DO NOT SCALE TO DRAWING		SHEET SIZE	A	SCALE: 1:50	SHEET 3 OF 3	