

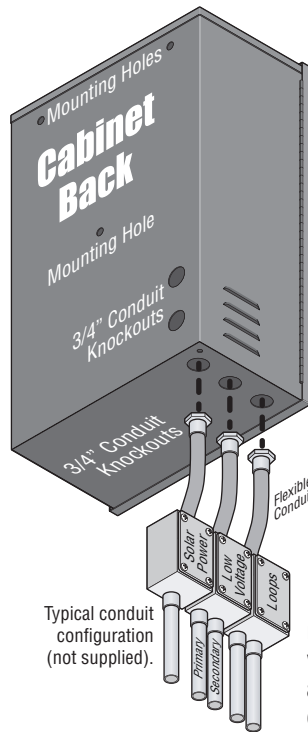
QUICKSTART "BASIC" GUIDELINES FOR 4302 SOLAR CONTROL BOX FOR 6004, 6006 AND 6400

UL 325 August 2018 Standard



120 S. Glasgow Avenue
Inglewood, California 90301
U.S.A.

Mount Control Box Cabinet



Position the control box on the wall, **close enough to the gate operator so the primary operator cable can be easily routed inside the box.** Use appropriate hardware (not supplied) in the existing 3 mounting holes to secure the cabinet to a vertical surface. **DO NOT** drill any additional holes in the cabinet. Drilling produces metal filings, which can cause shorts on the circuit board and **will void the warranty.**

- Never run high voltage and low voltage wire insulation in the same conduit.

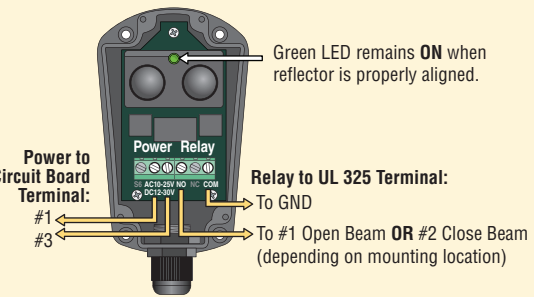
DoorKing offers an **OPTIONAL** mounting post kit (P/N 1000-045) when no vertical surface is available to mount the control box cabinet to.

Opening Devices must be far enough from the gate so that the user is prevented from coming in contact with the gate while operating the controls. Do not connect any control devices to the circuit board terminal.

Note: Opening Devices **MUST** use a separate power source if power is required.

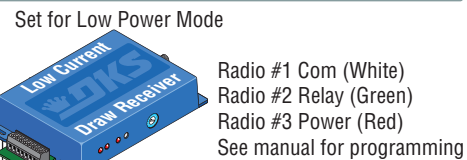
DoorKing Photo Sensor 8080-057

(Included, see "UL 325 Terminal" section)



Entrapment Protection must be provided for the gate system where the risk of entrapment or obstruction exists. The operator will not run without one or more monitored type B1 or B2 entrapment protection devices in EACH entrapment area.

Opening Devices

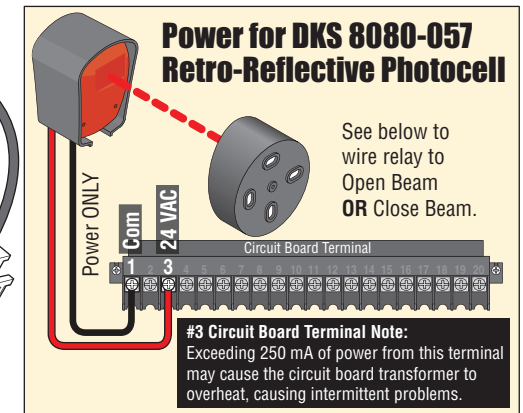


THIS PRODUCT IS TO BE INSTALLED AND SERVICED BY A TRAINED GATE SYSTEMS TECHNICIAN ONLY.
Visit www.dkslocator.com to find a professional installing and servicing dealer in your area.

Control box is intended for installation only on automated gates used for vehicles.
Pedestrians must be supplied with a separate access opening.
For safety and complete installation and adjustment instructions, please refer to the Wiring/Owner's manual.

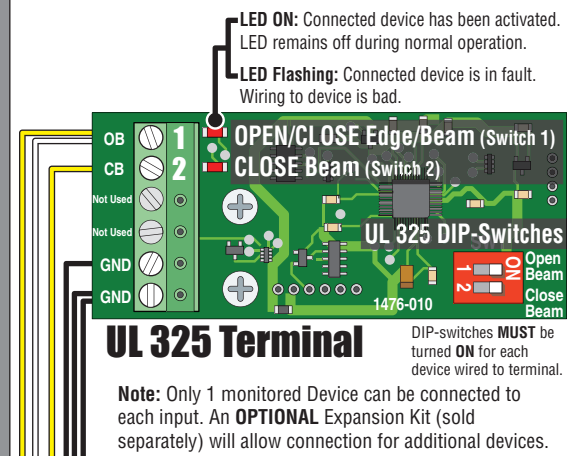
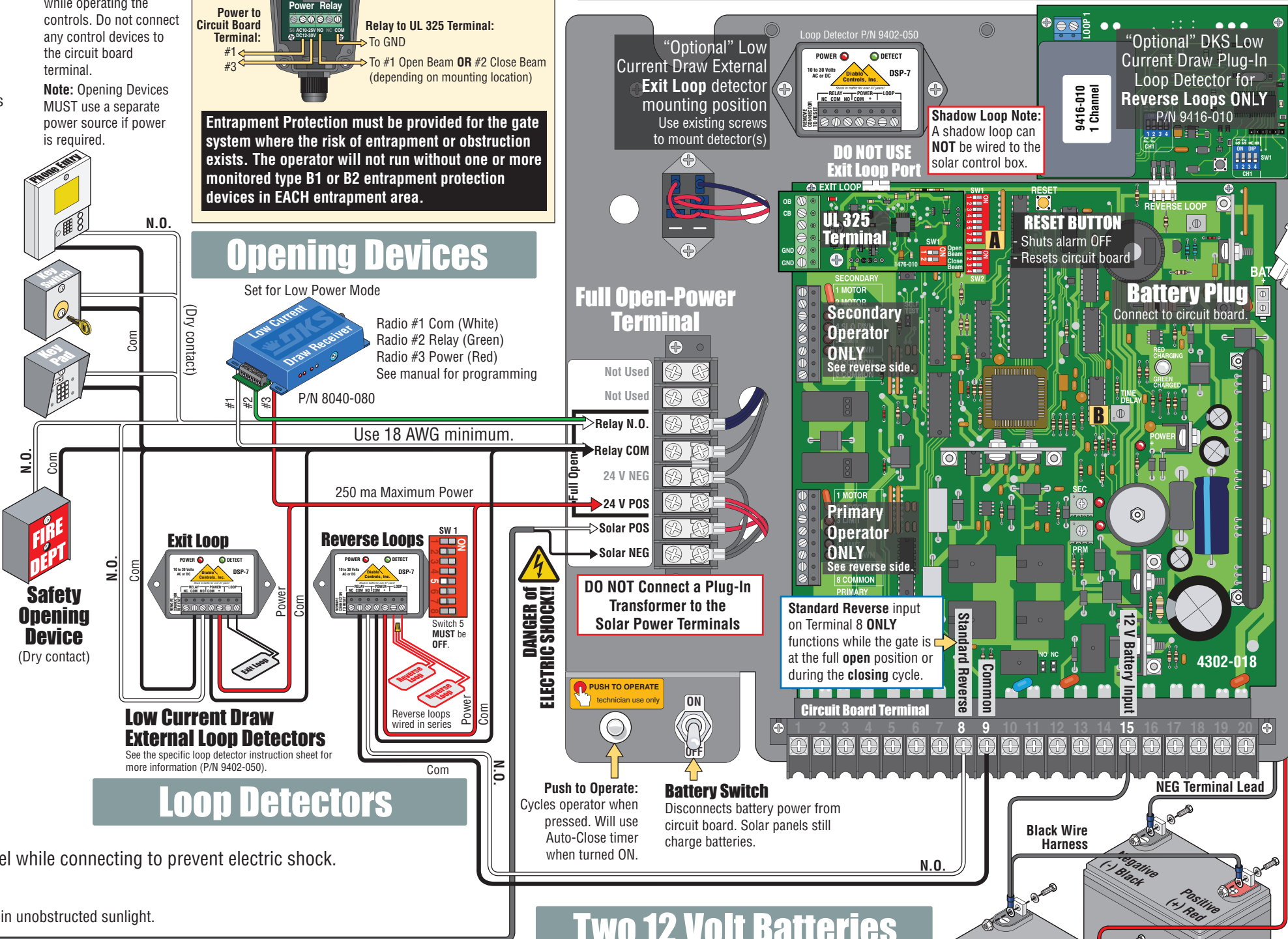
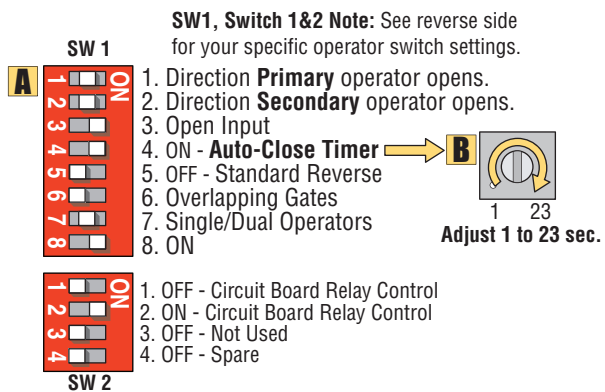
UL 325 Terminal

Connect DoorKing 8080-057 device. Installed on gate that opens to the **INSIDE** of property. See manual for gate that opens **OUTSIDE** of property.

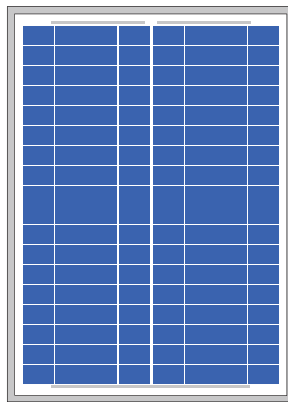


Circuit Board Settings

Typical Settings with Reverse and Exit Loops. See reverse side.



24 Volt Solar Panel



Keep sunlight **OFF** solar panel while connecting to prevent electric shock.

Solar Pos. (White Wire)
Solar Neg. (Black Wire)
Solar panel should face true south in unobstructed sunlight.

Solar Control Box Requirements:

- (1) One 24 Volt 10 Watt Solar Panel for 18 Amp/Hr Batteries (P/N 2000-077).
- (1) One 24 Volt 20 Watt Solar Panel for 35 Amp/Hr Batteries (P/N 2000-076).

DO NOT connect 12 Volt solar panel. Damage WILL occur!!

Loop Detectors

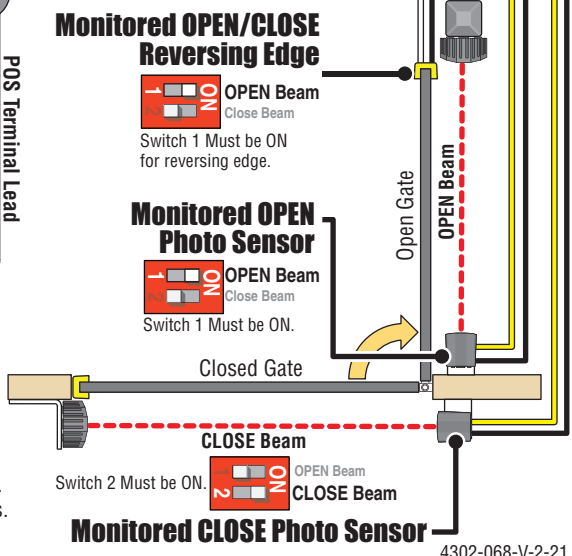
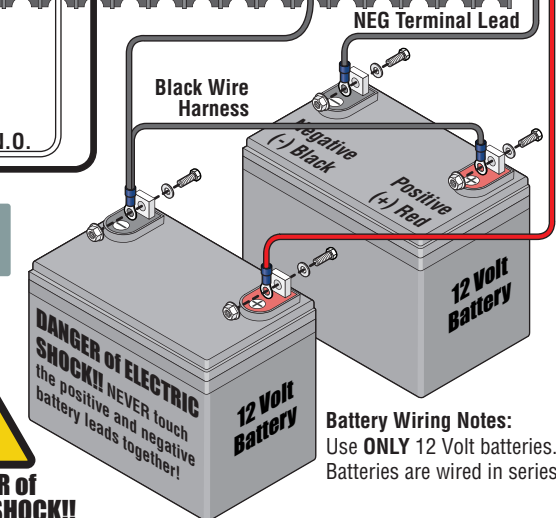
DO NOT power up and cycle the gate operator before the limit sensors and DIP-switches have been adjusted, damage could occur to gate and operator.

Two 12 Volt Batteries

DoorKing Recommends:

12 Volt 18 Amp/Hr batteries: Use for applications with normal usage (60 cycles per day or less).

12 Volt 35 Amp/Hr batteries: Use for applications with higher usage (60 cycles per day or more).



QUICKSTART "BASIC" GUIDELINES FOR 4302 SOLAR CONTROL BOX DIP-SWITCHES AND OPERATOR(S) CONNECTION

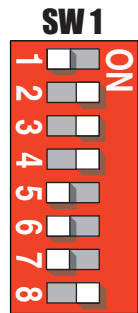


UL 325 August 2018 Standard

120 S. Glasgow Avenue
Inglewood, California 90301
U.S.A.

SW 1 DIP-Switches

Switch	Function	Setting	Description
<p>Opening Direction of PRIMARY Operator</p> <p>The operator MUST OPEN GATE upon initial power up and OPEN command. If the operator closes gate after giving open command, shut off power and reverse this switch setting otherwise operator will NOT function correctly.</p>			
<p>6004 ONLY</p>			
<p>6006 ONLY</p>			
<p>6400 ONLY</p>			
1	Opening Direction of PRIMARY Operator	ON	Same opening directions as illustrated above for the secondary operator.
2	Opening Direction of SECONDARY Operator	ON	<ul style="list-style-type: none"> Switch 2 will be the SAME setting as switch 1 for the 6006. Switch 2 will be the OPPOSITE setting as switch 1 for the 6004 and 6400. Note: SW1, switch 7 MUST also be ON when using a secondary operator.
3	Not Used	OFF	Leave in the OFF position.
4	Auto-Close Timer	OFF	Auto-close timer is OFF. Manual input required to close gate.
		ON	Auto-close timer is ON. Adjustable from 1-23 seconds.
5	Reverse	OFF (normal)	Terminal #8 is a standard Reverse input.
	Not Used	ON	On setting is NOT used.
6	Overlapping Gates	OFF	Both operators start at the same time.
		ON	Secondary operator opens 1-2 seconds before primary operator. Vice-versa when closing.
7	Single	OFF	Switch must be OFF for single operator.
	Dual	ON	Switch must be ON when (dual) operators are used.
8	Input Power	ON	Switch MUST be in the ON position.



SW 2 DIP-Switches

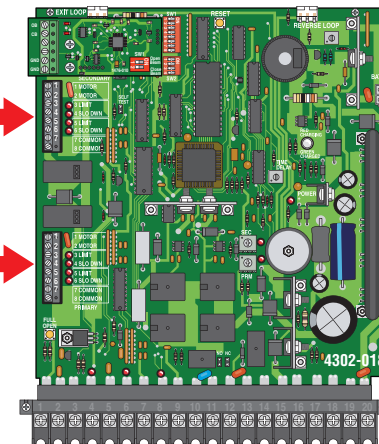


RESET Whenever any programming or switch setting on the control board is changed, press the reset button for new settings to take effect.

Switch	Function	Setting	Description
1 and 2	Relay Operation	1-OFF 2-ON	Circuit board relay activates when the gate is NOT closed.
3	Not Used	OFF	Leave in the OFF position.
4	Spare	OFF	Leave in the OFF position.

Secondary Operator Cable ONLY

Primary/Single Operator Cable ONLY



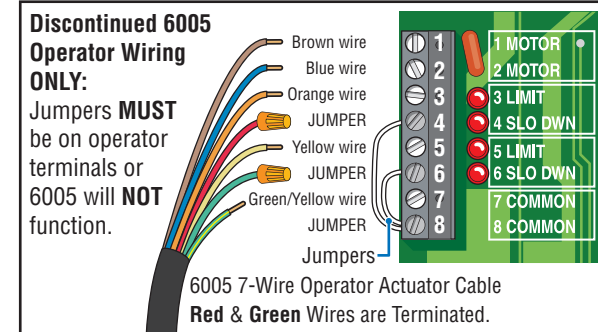
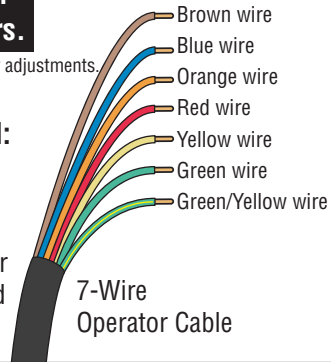
Gate Operator(s) Connection

DO NOT cycle the operator **BEFORE** setting limit sensors.

Refer to your specific operator for limit sensor adjustments.

Choose Your Operator Model:

Follow wiring colors for the PRIMARY/Single or DUAL gate operators. If factory wired jumpers are installed on operator terminals, they **must** be removed or operators will **not** function.



Discontinued 6003



Primary/Single operator wiring

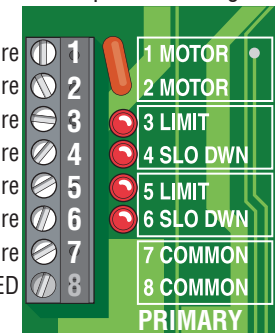
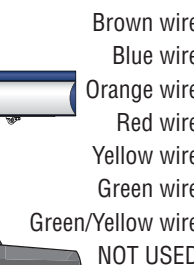
Use 18 AWG wire

Secondary operator wiring

6004 Wiring

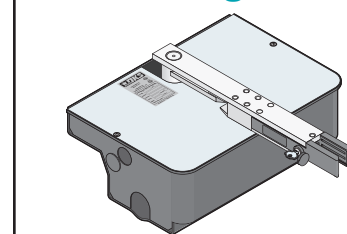


6006 Wiring



Note: SW1 Switch 7 **MUST** be ON.

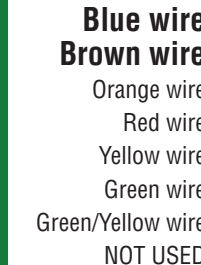
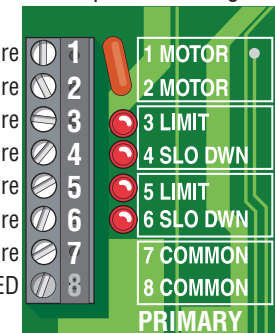
6400 Wiring



6400 Primary/Single operator wiring

Use 18 AWG wire

6400 Secondary operator wiring



Note: SW1 Switch 7 **MUST** be ON.

Note: Secondary operator **MOTOR** wires **MUST** be reversed from the primary operator when using DUAL gate operators.