

QUICKSTART "BASIC" GUIDELINES FOR 4302 115 VAC CONTROL BOX FOR 6004, 6006 AND 6400



120 S. Glasgow Avenue
Inglewood, California 90301
U.S.A.

UL 325 Terminal

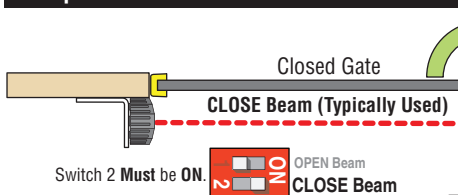
Connect DoorKing 8080-057 device. Installed on gate that opens to the **INSIDE** of property. See manual for gate that opens **OUTSIDE** of property.

Monitored OPEN/CLOSE Reversing Edge

Switch 1 Must be ON for reversing edge.



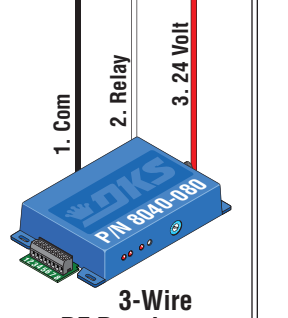
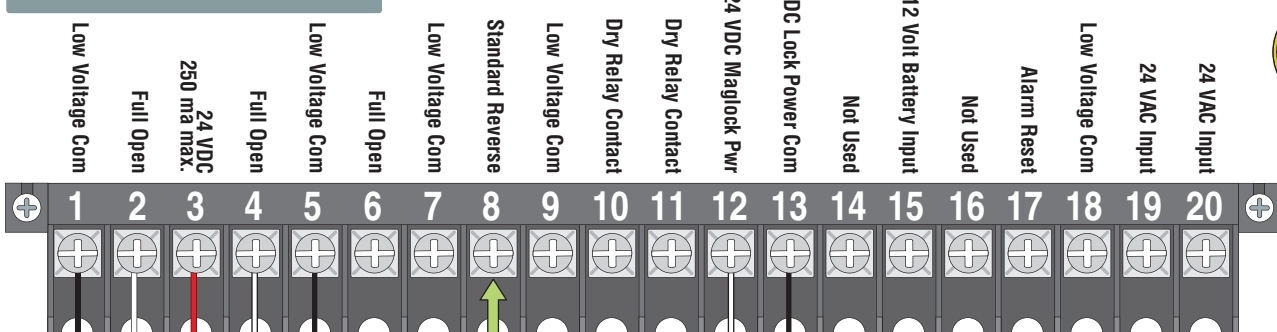
Entrapment Protection must be provided for the gate system where the risk of entrapment or obstruction exists. The operator will not run without **ONE** or more monitored type B1 or B2 entrapment protection devices in **EACH** entrapment area.



Monitored CLOSE Photo Sensor

Switch 2 Must be ON.

Main Terminal

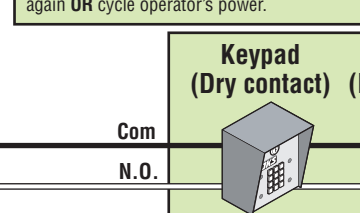


3-Wire RF Receiver
Main Terminal #3 Note: Exceeding 250 mA of power from this terminal may cause the circuit board transformer to overheat, causing intermittent problems.

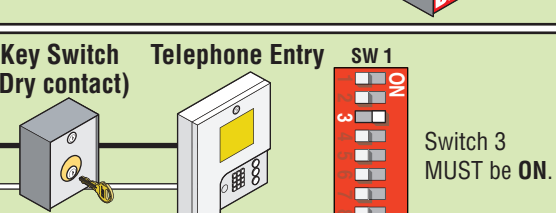
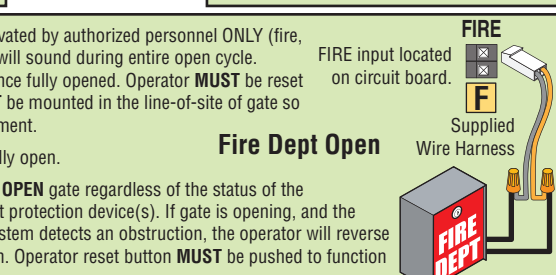
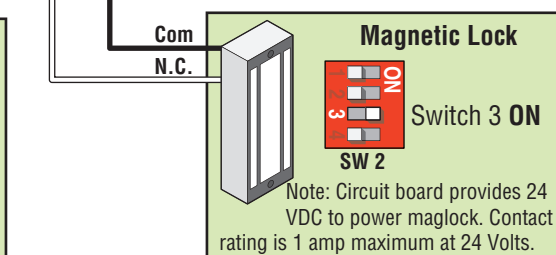
Reversing input on Terminal #8 functions **ONLY** while the gate is at the **FULL OPEN** position or during the **CLOSING** cycle. It **MUST NOT** be used as an input for a UL 325 entrapment protection device during the **OPENING** gate cycle. See above for External Entrapment Protection Wiring of UL 325 Terminal.

Gate will **ONLY OPEN** when this device is activated by authorized personnel **ONLY** (fire, police, EMS) and operator has power. Alarm will sound during entire open cycle. Operator will then go into a hard shutdown once fully opened. Operator **MUST** be reset to function normally again. This device **MUST** be mounted in the line-of-site of gate so authorized personnel can monitor gate movement.

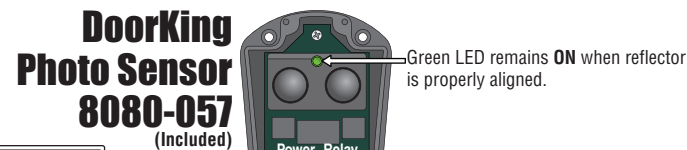
Dual Gate Operators Note: Both gates will fully open.
Activation Note: Activation of this device will **OPEN** gate regardless of the status of the open direction monitored external entrapment protection device(s). If gate is opening, and the operator's inherent entrapment protection system detects an obstruction, the operator will reverse approx. 2 inches and go into a hard shutdown. Operator reset button **MUST** be pushed to function again **OR** cycle operator's power.



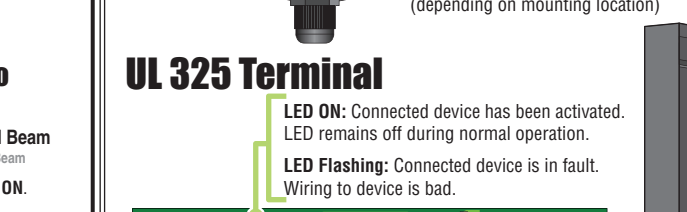
Note: Opening Devices **MUST** use a separate power source if power is required.



Note: Opening Devices **MUST** use a separate power source if power is required.



DoorKing Photo Sensor 8080-057 (Included)
Green LED remains **ON** when reflector is properly aligned.
Relay to UL 325 Terminal:
To GND
To #1 Open Beam **OR** #2 Close Beam (depending on mounting location)

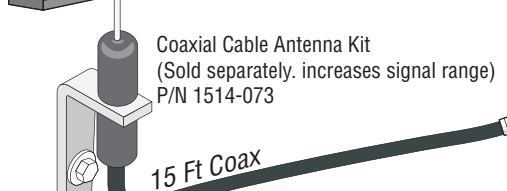
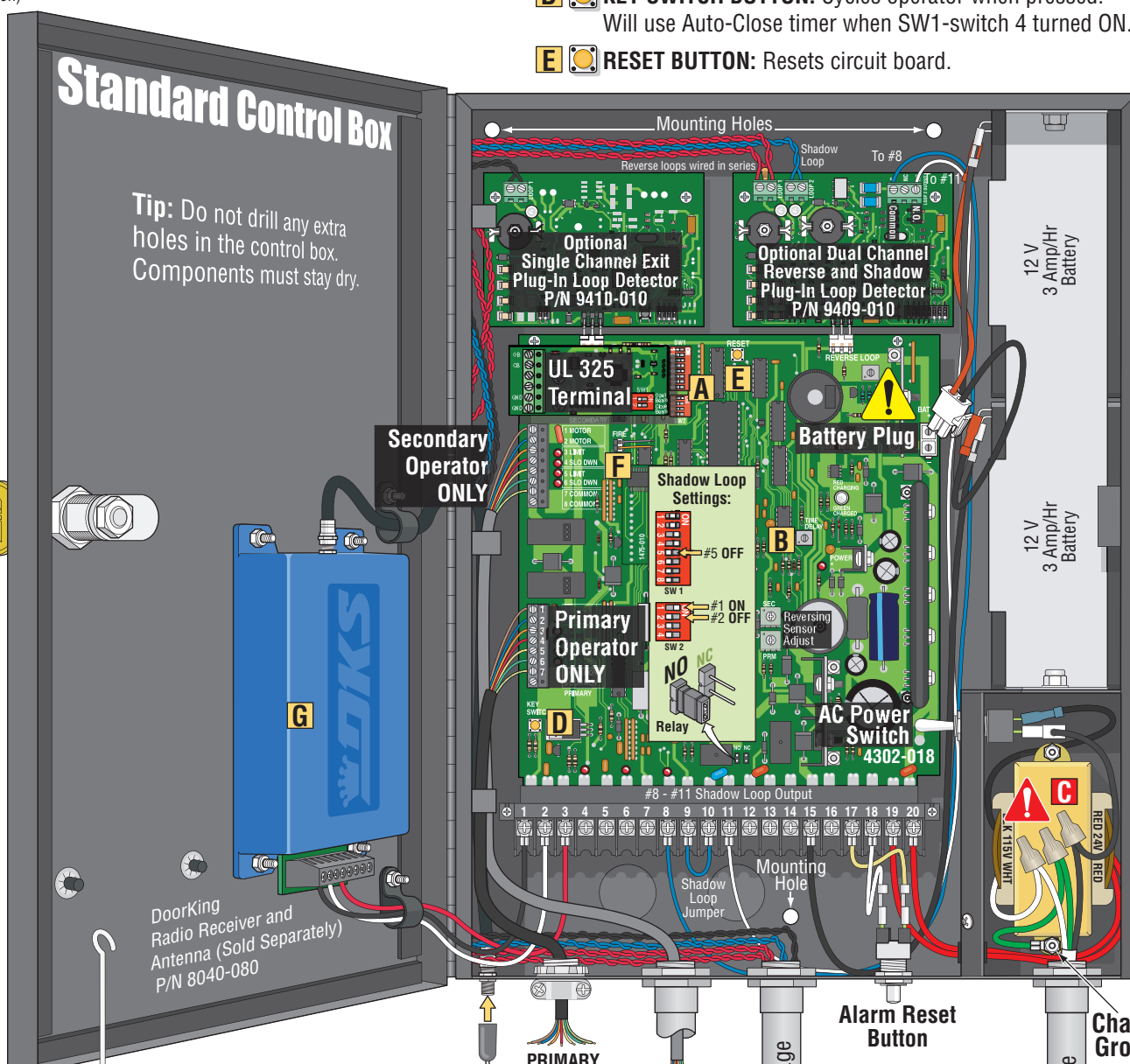


UL 325 Terminal
LED **ON:** Connected device has been activated. LED remains off during normal operation.
LED **Flashing:** Connected device is in fault. Wiring to device is bad.
OPEN/CLOSE Edge/Beam (Switch 1) CLOSE Beam (Switch 2)
UL 325 DIP-Switches
1476-010

Note: Only 1 monitored Device can be connected to each input. An **OPTIONAL** Expansion Kit (sold separately) will allow connection for additional devices.
DIP-switches **MUST** be turned **ON** for each device wired to terminal.

THIS PRODUCT IS TO BE INSTALLED AND SERVICED BY A TRAINED GATE SYSTEMS TECHNICIAN ONLY. Visit www.dkslocator.com to find a professional installing and servicing dealer in your area.

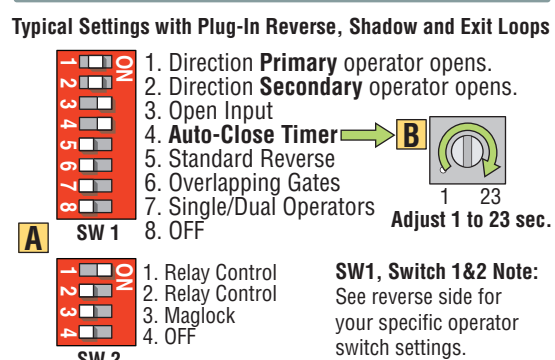
Control box is intended for installation only on automated gates used for vehicles. Pedestrians must be supplied with a separate access opening. For safety and complete installation and adjustment instructions, please refer to the Wiring/Owner's manual for the 115 VAC control boxes.



DO NOT cycle operator before limit sensors and DIP-switches have been adjusted, damage could occur to gate and operator. Please refer to the Wiring/Owner's manual for the 115 VAC Control boxes.

- D** **KEY SWITCH BUTTON:** Cycles operator when pressed. Will use Auto-Close timer when SW1-switch 4 turned ON.
- E** **RESET BUTTON:** Resets circuit board.

Circuit Board Settings



Plug-In Loop Detectors

Not included - Refer to the Wiring/Owner's manual **AND** Loop Information Manual (available from www.doorking.com) for more information on loops and plug-in loop detectors.
Important Note: DoorKing highly recommends that loops and loop detectors are installed with this gate operator. A loop detection system will preventing the gate from automatically opening or closing on a vehicle when it is in the gate's path.

Radio Receiver

G "Optional" DoorKing radio receiver - Choose MicroClik® **OR** MicroPlus® transmitter type (Sold separately).

Battery Plug

CAUTION
Do not connect the battery plug to the circuit board until power is needed to test the operator.

115 VAC Connection

DANGER HIGH VOLTAGE!
White - Neutral
Black - 115 VAC Hot
Green - Chassis Ground
Tip: It is recommended that a surge suppressor be installed on the high voltage power lines.

Wire Size	Distance
14 AWG	Up to 200 ft
12 AWG	Beyond 200 ft

Black to transformer's black (Hot).
White to transformer's white (Neutral).
Green to chassis ground.

Note: To turn-off **ALL** power to the operator, the AC power switch must be turned off **AND** the battery plug must be disconnected from the circuit board.

QUICKSTART "BASIC" GUIDELINES FOR 4302 115 VAC CONTROL BOX DIP-SWITCHES AND OPERATOR(S) CONNECTION

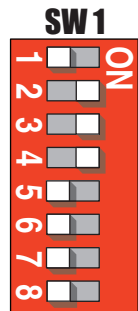


120 S. Glasgow Avenue
Inglewood, California 90301
U.S.A.

UL 325 August
2018 Standard

SW 1 DIP-Switches

Switch	Function	Setting	Description
1	Opening Direction of PRIMARY Operator		<p>Opening Direction of PRIMARY Operator</p> <p>The operator MUST OPEN GATE upon initial power up and OPEN command. If the operator closes gate after giving open command, shut off power and reverse this switch setting otherwise operator will NOT function correctly.</p>
1	6006 ONLY		
2	Opening Direction of SECONDARY Operator		<p>Same opening directions as illustrated above for the secondary operator.</p> <ul style="list-style-type: none"> Switch 2 will be the SAME setting as switch 1 for the 6006. Switch 2 will be the OPPOSITE setting as switch 1 for the 6004 and 6400. <p>Note: SW1, switch 7 MUST also be ON when using a secondary operator.</p>
3	Exit Loop Port Output	OFF	Terminal #4 is output from plug-in exit loop detector installed in EXIT loop port.
	Open Input	ON (normal)	Terminal #4 is normal open command.
4	Auto-Close Timer	OFF	Auto-close timer is OFF. Manual input required to close gate.
		ON	Auto-close timer is ON. Adjustable from 1-23 seconds.
5	Reverse	OFF (normal)	Terminal #8 is a standard Reverse input.
	Not Used	ON	On setting is NOT used.
6	Overlapping Gates	OFF	Both operators start at the same time.
		ON	Secondary operator opens 1-2 seconds before primary operator. Vice-versa when closing.
7	Single	OFF	Switch must be OFF for single operator.
	Dual	ON	Switch must be ON when (dual) operators are used.
8	Input Power	OFF	Switch MUST be in the OFF position.



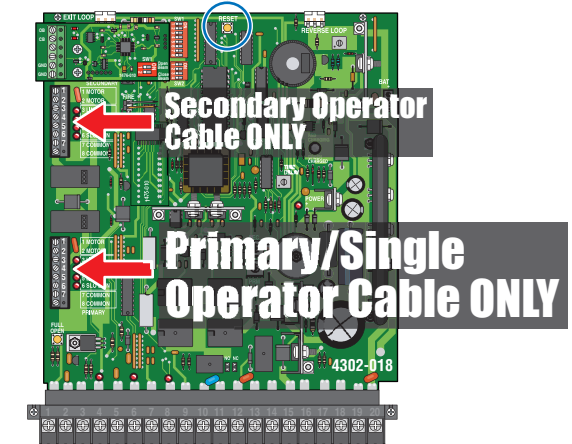
SW 2 DIP-Switches



Whenever any programming or switch setting on the control board is changed, press the reset button for new settings to take effect.



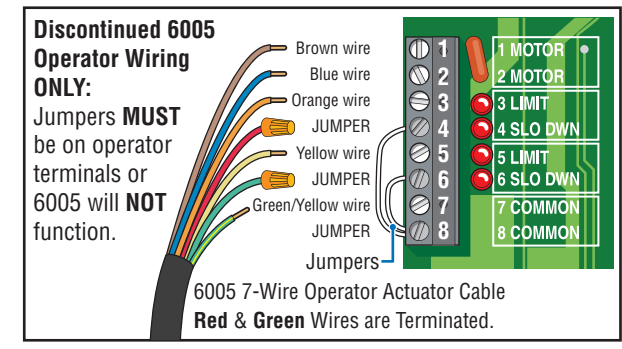
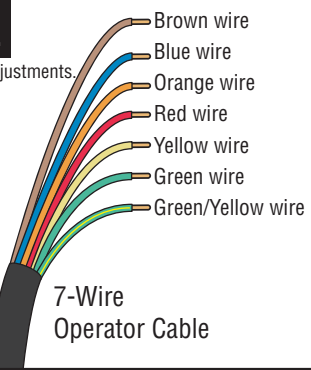
Switch	Function	Setting	Description
1 and 2	Relay Operation	1-OFF 2-ON	Circuit board relay activates when the gate is NOT closed.
3	Maglock	OFF	NO maglock is used.
		ON	Maglock is installed
4	Spare	OFF	Leave in the OFF position.



Gate Operator(s) Connection

DO NOT cycle the operator **BEFORE** setting limit sensors. Refer to your specific operator for limit sensor adjustments.

Choose Your Operator Model: Follow wiring colors for the PRIMARY/Single or DUAL gate operators. If factory wired jumpers are installed on operator terminals, they **must** be removed or operators will **not** function.



Discontinued 6003

6004 Wiring

6006 Wiring

Primary/Single operator wiring

Secondary operator wiring

Use 18 AWG wire

Note: SW1 Switch 7 **MUST** be ON.

6400 Wiring

6400 Primary/Single operator wiring

6400 Secondary operator wiring

Use 18 AWG wire

Note: SW1 Switch 7 **MUST** be ON.