

QUICKSTART "BASIC" GUIDELINES FOR MODEL 6400 - FOR A GATE UP TO 10 FEET, 300 Lbs. AND OPENING CLOCKWISE

UL 325 August 2018 Standard



120 S. Glasgow Avenue
Inglewood, California 90301
U.S.A.

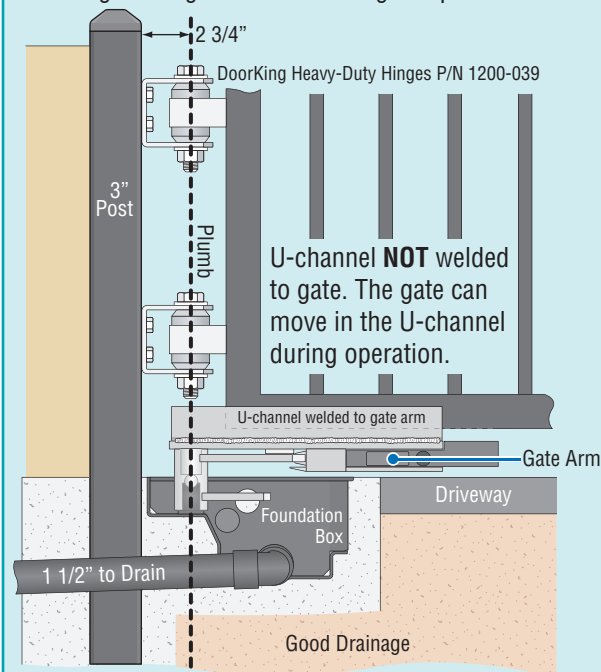
THIS PRODUCT IS TO BE INSTALLED AND SERVICED BY A TRAINED GATE SYSTEMS TECHNICIAN ONLY.
Visit www.dkslocator.com to find a professional installing and servicing dealer in your area.

Model 6400 is intended for installation only on swing gates used for vehicles. Pedestrians must be supplied with a separate access opening. For safety and installation instructions, please refer to the **6400 Actuator Arm and Control Box Mounting manual, 115 VAC or Solar Control Box Wiring/Owner's manuals.**

Installation

Foundation Box Position

The gate weight is **NOT** on the gate operator.



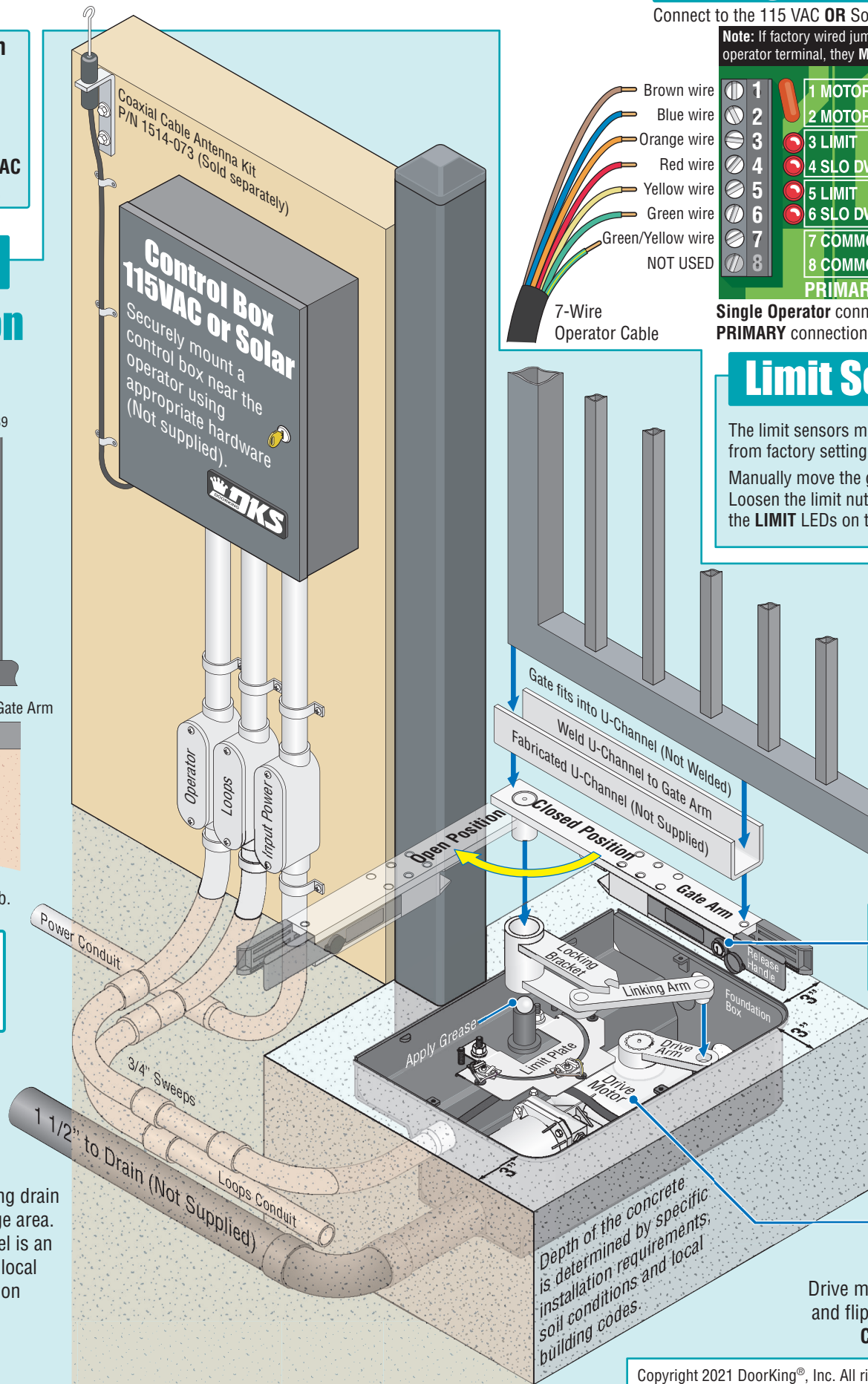
Gate hinges and operator pivot point **MUST** be plumb.

Important: Foundation Box **MUST** be level and flush with driveway!

Drain Pipe

Drain pipe **MUST** slope away from the foundation box.

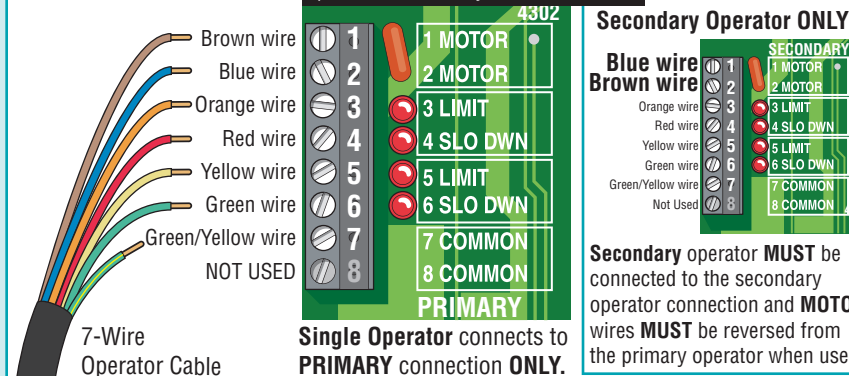
Drain pipe can connect to an existing drain pipe or be routed to a good drainage area. A deep hole filled with "good" gravel is an acceptable drainage source. Check local building codes for further information before installation.



Wiring to Circuit Board

Connect to the 115 VAC **OR** Solar control box circuit board.

Note: If factory wired jumpers are on operator terminal, they **MUST** be removed.



Single Operator connects to **PRIMARY** connection **ONLY**.

Secondary operator **MUST** be connected to the secondary operator connection and **MOTOR** wires **MUST** be reversed from the primary operator when used.

Limit Sensors Adjustment

The limit sensors must be slid 90° to open gate **CLOCKWISE** from factory setting.

Manually move the gate to the desired open or closed position. Loosen the limit nuts and slowly slide the limit assemblies until the **LIMIT** LEDs on the circuit board light up.

OPEN Limit Position
Gray - Open (3 LED)
Purple - Slow Down (4 LED)
White - Common for each.

CLOSE Limit Position
Yellow - Close (5 LED)
Brown - Slow Down (6 LED)
White - Common for each.

DO NOT cycle operator before limit sensors and DIP-switches have been adjusted, damage could occur.

Manual Key Release

Unlock and pull release handle from either side of the gate to manually operate the gate.

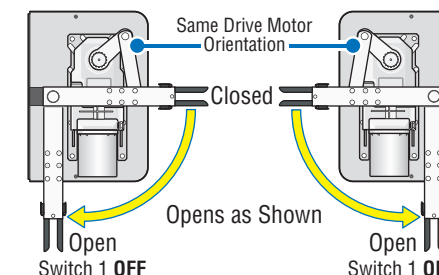
Drive Motor Position

Drive motor must be unbolted and flipped 180° to open gate **CLOCKWISE** as shown.

Important Note: Operator drive motor and limit sensors are factory set to open gate **COUNTER**-clockwise.

Opening Direction DIP-Switch 1 (SW 1)

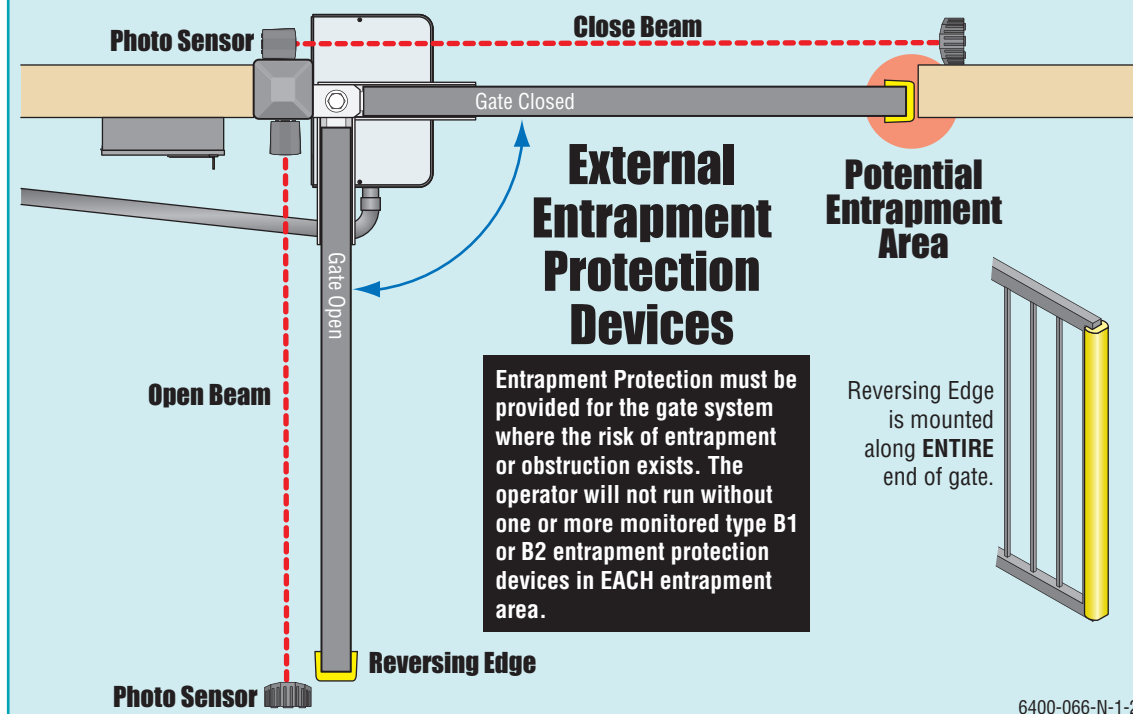
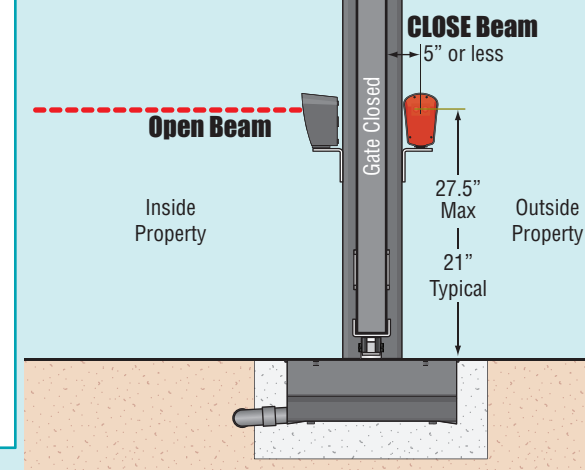
The operator **MUST OPEN GATE** upon initial power up and **OPEN** command. If the operator closes gate after giving open command, shut off power and reverse this switch setting otherwise operator will **NOT** function correctly.



Refer to **YOUR** chosen 115 VAC **OR** Solar powered control box manuals for complete DIP-switch settings.

Note: Only 1 monitored Device can be connected for each cycling direction. An **OPTIONAL** Expansion Kit (sold separately) will allow connection for additional devices. Refer to **YOUR** chosen 115 VAC **OR** Solar powered control box manuals to wire entrapment protection devices.

Photo Sensors Height



Entrapment Protection must be provided for the gate system where the risk of entrapment or obstruction exists. The operator will not run without one or more monitored type B1 or B2 entrapment protection devices in **EACH** entrapment area.

Reversing Edge is mounted along **ENTIRE** end of gate.