



1837 90 SERIES TELEPHONE ENTRY SYSTEM



Shown with Trim Ring sold separately

Best suited for applications requiring complete access control for up to 48 entry points, including elevator control

- Provides both resident and visitor access control into and within apartment buildings, gated communities, condominiums, office buildings, factories and industrial sites.
- Program from the DKS Cloud (requires DKS connection service subscription) with your laptop or tablet or from your dedicated PC using the Remote Account Manager software (free download at doorking.com/software).
- Voice and data programming connection via cellular, internet, or copper POTS lines
- Built-in electronic directory
- Large, easy-to-use A-Z-CALL buttons
- Resident access control is provided by means of cards, digital PIN codes, or wireless transmitters.
- 2-Year limited factory warranty



Voice and Remote Programming
use DKS service options for connection and programming

One Box That Mounts Anywhere



Optional
internal TCP / IP for internet connection



Optional
internal card reader



DKS Cloud Programming
available with DKS Cellular, VoIP Internet or IM Server subscriptions.



Surface



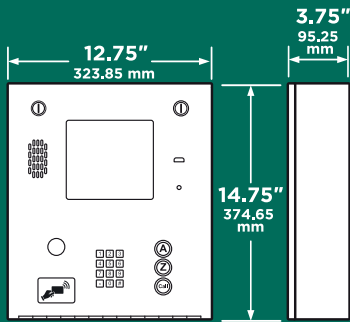
Flush
shown with trim ring sold separately



Post

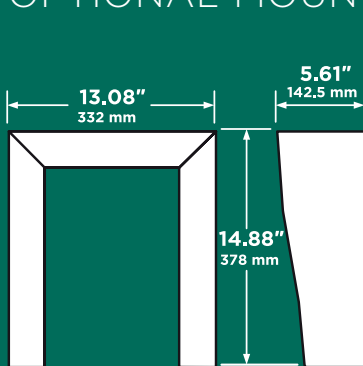


1837 90 SERIES TELEPHONE ENTRY SYSTEM

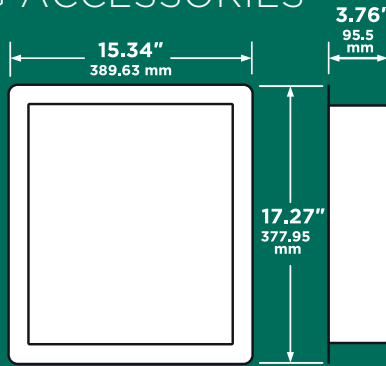


1837 90 SERIES

OPTIONAL MOUNTING ACCESSORIES



1814-185 Black Hood
1814-180 Stainless Steel Hood



1814-200 Stainless Steel
Flush Mount Kit

1837 90 SERIES

PHONE # MEMORY	3000 Phone Numbers, 255 Area Codes
ENTRY CODES	3000 (4-Digit)
DEVICE CODES	8000
DOOR CONTROL	3 Entry Points*
DIRECTORY	8-Line 20-Character Super-Twist LCD Display (1/2 inch characters)
ELEVATOR CONTROL	Yes
PROGRAMMING	DKS Cloud or a PC with Remote Account Manager Software**
TRANSACTION BUFFER	8000 Events

* Expands to 48 with wired expansion boards or to 24 with wireless expansion boards.

** DKS Remote Account Manager Software for PC is available as a free download at doorking.com/software. Cloud Account Manager Programming is available at doorking.com/easy-connect/programming/cloud

TECHNICAL FEATURES

MECHANICAL

- Stainless steel faceplate
- Galvanized steel sub-plate
- Metal internally-lit LED keypad and A-Z-CALL buttons
- Offset speaker holes for protection
- Built-in postal lock provision
- Flush mount requires flush mounting kit
- Stainless steel & black 10 gauge hood available
- Enclosures are rated NEMA 4x
- Internal provision for card reader (1815-302; 1815-380; 1815-215 only)
- Internal provision for TCP/IP adapter (1830-185, 1830-186 only)
- Space for optional LCD heater

CONNECTION OPTIONS¹

- Cellular powered by AT&T 4G LTE
- Internet select DK VoIP or your own VoIP provider
- POTS Plain Old Telephone service²

- Connection options noted will incur additional cost for required hardware and/or service subscriptions. DKS Cloud programming included at no charge with DKS connection subscriptions.
- POTS connection is not recommended for programming as modem communications can no longer be guaranteed.

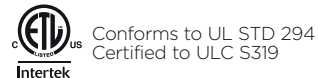
SPECIFICATIONS

- 16 VAC (2 power transformers included)
- Full duplex hands-free voice communication
- 10 facility codes
- Programmable directory codes (1 to 4 digits)
- 10 & 11-digit dialing capability
- 31 security / permission levels, 29 programmable with 4 time zones each
- 32 holiday schedules
- Built-in clock / calendar
- 8 hold-open time zones
- Entry code time zones
- True anti-pass back
- Live transactions feature (requires TCP / IP internet connection or RS-232 connection)

MISCELLANEOUS

- Environmental: 10° F to 145° F (-12° C to 62° C)
- Heater kit (P/N 2600-584) recommended when temperatures routinely fall below 35° F (1.6° C)
- Optional high-resolution camera kits additional CCV equipment and cabling required
- Shipping weight approximately 20-25 lb (9-11 kg)

FCC (US) DUF6VT-12874-OT-T
DOC (CAN) 1736 4528 A



AT&T, the AT&T logo and all other AT&T marks contained herein are trademarks of AT&T Intellectual Property and/or AT&T affiliated companies.

DoorKing® Inc.

Access Control Solutions since 1948



120 S. Glasgow Avenue,
Inglewood, California 90301 U.S.A.
Tel: 310-645-0023 FAX: 310-641-1586
www.doorking.com

© 2020 All Rights Reserved.
Product specifications may change without notice. Rev. 11/20



MEMBER:



DISTRIBUTED BY:

