



# 1837 80 SERIES

## TELEPHONE ENTRY SYSTEM



**Flush Mount**  
Shown with trim ring,  
sold separately

**Surface Mount**

**Best suited for applications requiring complete access control for up to 48 entry points, including elevator control**

- Provides both resident and visitor access control into and within apartment buildings, gated communities, condominiums, office buildings, factories and industrial sites
- Built-in electronic directory
- Large easy-to-use A-Z-CALL buttons
- Resident access control is provided by means of cards, digital PIN codes, or wireless transmitters
- Program from the DKS Cloud (requires DKS connection service subscription) with your laptop or tablet or from your dedicated PC using the Remote Account Manager software (free download at [doorking.com/software](http://doorking.com/software)).
- Voice and data (programming) connection over either cellular, ethernet, or copper POTS lines
- 2-Year limited factory warranty



**Expandable**  
Up to 48 wired access points  
or 24 wireless.



**Internal LED**  
lit keypad and A-Z-CALL buttons.



**DKS Cloud Programming**  
available with DKS Cellular, VoIP  
Internet or IM Server subscriptions.

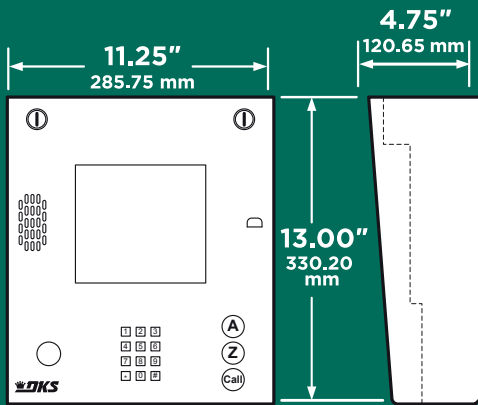


**Voice and Remote Programming**  
use DKS service options for connection and programming.

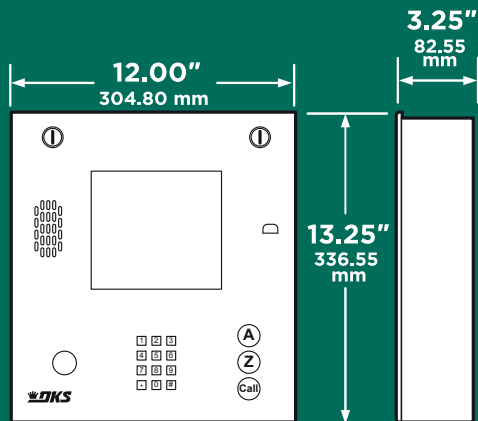
**ACCESS CONTROL SOLUTIONS**



# 1837 80 SERIES TELEPHONE ENTRY SYSTEM



**1837 Surface Mount**



**1837 Flush Mount**

## 1837 80 SERIES

PHONE # MEMORY	3000 Phone Numbers, 255 Area Codes
ENTRY CODES	3000 (4-Digit)
DEVICE CODES	8000
DOOR CONTROL	3 Entry Points*
DIRECTORY	8-Line 20-Character Super-Twist LCD Display (1/2 inch characters)
ELEVATOR CONTROL	Yes
PROGRAMMING	DKS Cloud or a PC with Remote Account Manager Software**
TRANSACTION BUFFER	8000 Events

\* Expands to 48 with wired expansion boards or to 24 with wireless expansion boards.

\*\* DKS Remote Account Manager Software for PC is available as a free download at [doorking.com/software](http://doorking.com/software). Cloud Account Manager Programming is available at [doorking.com/easy-connect/programming/cloud](http://doorking.com/easy-connect/programming/cloud)

## TECHNICAL FEATURES:

### MECHANICAL

- Stainless steel faceplate
- Galvanized steel sub-plate
- Metal keypad, with internally lit LED keypad and A-Z-CALL buttons
- Offset speaker holes for protection
- Hands-free voice operation (optional handset)
- Built-in postal lock provision, EEPROM memory
- Surface and flush mounting styles. Flush mount requires flush mounting kit. Enclosures are rated NEMA 4x

### CONNECTION OPTIONS<sup>1</sup>

- Cellular powered by AT&T 4G LTE
- Internet select DK VoIP or your own VoIP provider
- POTS Plain Old Telephone service<sup>2</sup>

1. Connection options noted will incur additional cost for required hardware and/or service subscriptions. DKS Cloud programming included at no charge with DKS connection subscriptions.
2. POTS connection is not recommended for programming as modem communications can no longer be guaranteed.

### SPECIFICATIONS

- Eight line 20 character super-twist LCD display (1/2 inch characters)
- 16 VAC (2 power transformers included)
- Full duplex voice communication
- Stores up to 3000 phone numbers, 255 area codes
- Max 8000 weigand device (card codes), 10 facility codes
- Transaction buffer stores last 8000 events
- Control 3 entry points, expandable to 48 with tracker expansion boards
- Programmable directory codes (1 to 4 digits)
- 10 & 11-digit dialing capability
- 31 security (permission) levels, 29 programmable with 4 time zones each
- 32 holiday schedules
- 4-digit entry codes
- Built-in clock / calendar
- 8 hold open time zones
- Entry code time zones
- True anti-pass back
- Live transactions feature (requires TCP/IP internet connection or RS-232 connection)

### MISCELLANEOUS

- Environmental: 10°F to 145°F (-12°C to 62°C)
- Heater Kit (P/N 2600-584) recommended when temperatures routinely fall below 10°F (-12°C)
- ADA compliant handset kit (P/N 1807-012)
- Camera ready: Optional B&W or color CCTV camera\*  
\*may require additional CCTV equipment
- Shipping weight approximately 20-25 lb (9-11 kg)

FCC (US) DUF6VT-12874-OT-T  
DOC (CAN) 1736 4528 A

Conforms to UL STD 294  
Certified to CSA STD 222 #205  
Intertek

AT&T, the AT&T logo and all other AT&T marks contained herein are trademarks of AT&T Intellectual Property and/or AT&T affiliated companies.

## DoorKing® Inc.

Access Control Solutions since 1948



120 S. Glasgow Avenue,  
Inglewood, California 90301 U.S.A.  
Tel: 310-645-0023 FAX: 310-641-1586  
[www.doorking.com](http://www.doorking.com)

© 2019 All Rights Reserved.  
Product specifications may  
change without notice. Rev.12/20



### MEMBER:



### DISTRIBUTED BY:

