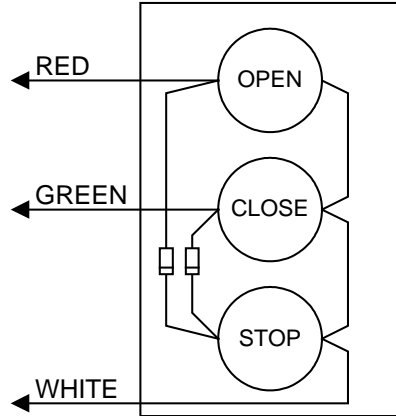




Wiring Instructions for 3-Wire Open-Close-Stop Control Stations

These control stations use a normally open stop circuit and can only be used with DoorKing control boards listed below. They are not compatible with control boards ending with a dash number of -012 or -018 as these control boards require a four (4) wire normally closed stop circuit. There is an exception – these control stations can be used with any series of the 4502 control board (6050, 6100 and 6300 swing gate operators).



The 1200-006 control station is designed for indoor or outdoor use, while the 1200-007 is designed for indoor use only and mounts in a single-gang electrical box.

This control station must be mounted a minimum of six (6) feet away from the gate and gate operator, or installed in such a way that the user cannot touch the gate or gate operator while using this control.

Be sure that power to the operator is OFF before wiring the control station. Use 18 AWG wire for control station connections.

| Board Number | Operators | Operator Terminals | | |
|--|---|--------------------|---------------|----------------|
| | | Open (Red) | Close (Green) | Common (White) |
| 4402-010 | 1150, 9200, 9300 | 8 | 9 | 1 |
| 4403-010 | 9310 | 7 | 8 | 13 |
| 4404-010 | 9210, 9220, 9230, 9235, 9240, 9245, 9530, 9550, 9555, 9575 | 7 | 8 | 1 |
| 4501-010 4502-010 4502-012 4502-018 | 480, 600, 605, 610, 615, 620, 625, 630, 805, 810, 815, 6050, 6100, 6300 | 13 | 14 | 20 |
| 4601-010 4602-010 | 910, 915, 1100, 9100, 9150 | 8 | 9 | 18 |