

- 480 HEATER KIT

DoorKing Part Number

6500-480

115 VAC Model
3.3 Amp

This kit is designed for the **6500, 6524 AC powered operator with 115 VAC input power ONLY** model gate operators. For cold weather climates where temperatures routinely drop below 10°F (-12°C). A built-in thermostat will automatically control the temperature inside operator housing.


High Voltage AC Input Power for 6500/6524 115 VAC Input Gate Operator with Heater

DO NOT use the “high voltage wire size and distance limitations” table in the Installation/Owner’s manuals to determine the high voltage AC input power wire size and distance limitations for the gate operator because of a **much greater** current draw when using the heater. Use the table below to determine the wire size and distances for your chosen gate operator when a heater is installed. The primary operator should have a “**Dedicated**” circuit breaker at the power source.

If the high voltage AC input power wiring is greater than the maximum distance shown, it is recommended that a service feeder be installed. When large gauge wire is used, a separate junction box must be installed for the operator connection. Wire run distances are based on NEC guidelines for copper wire allowing a maximum 3% voltage drop on the line. The calculated distance was then further reduced by 10% to allow for other losses in the system. **Never** run low voltage rated wire insulation in the same conduit as high voltage rated wire insulation. Keep them in separate conduits.

IMPORTANT: DO NOT install this heater kit if your 6500 has the optional **high voltage kit** installed on it.


Input wire size and distance limitations for a 6500 115 VAC input power with a heater.

Model	Horsepower	Volts	Operator and Heater Amps	Wire Size / Max Distance in Feet			
				12 AWG	10 AWG	8 AWG	6 AWG
	1/2 HP	115	8.7	100	150	250	400
	1 HP	115	13.0	60	100	160	200

Wire run distances are shown for ONE 6500 gate operator with heater. In bi-parting (dual) gates applications, reduce the distance by one-half.

Installation of 6500 on next page.

Input wire size and distance limitations for a 6524 AC powered 115 VAC input power with a heater.

Model	Horsepower	Volts	Operator and Heater Amps	Wire Size / Max Distance in Feet			
				12 AWG	10 AWG	8 AWG	6 AWG
	Quadra Drive DC Motor	115 ONLY	5.1	170	270	430	680

In bi-parting (dual) gate applications, high voltage AC power is required for EACH 6524 AC powered 115 VAC input power with a heater.

Installation of 6524 on page 3.



120 S. Glasgow Avenue
Inglewood, California 90301 U.S.A.

Installation of Heater for 6500

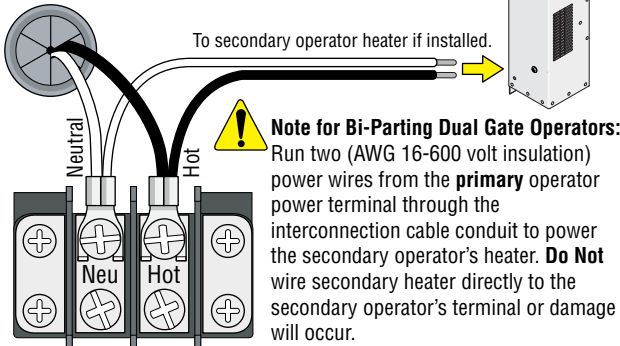
DoorKing Part Number

6500-480

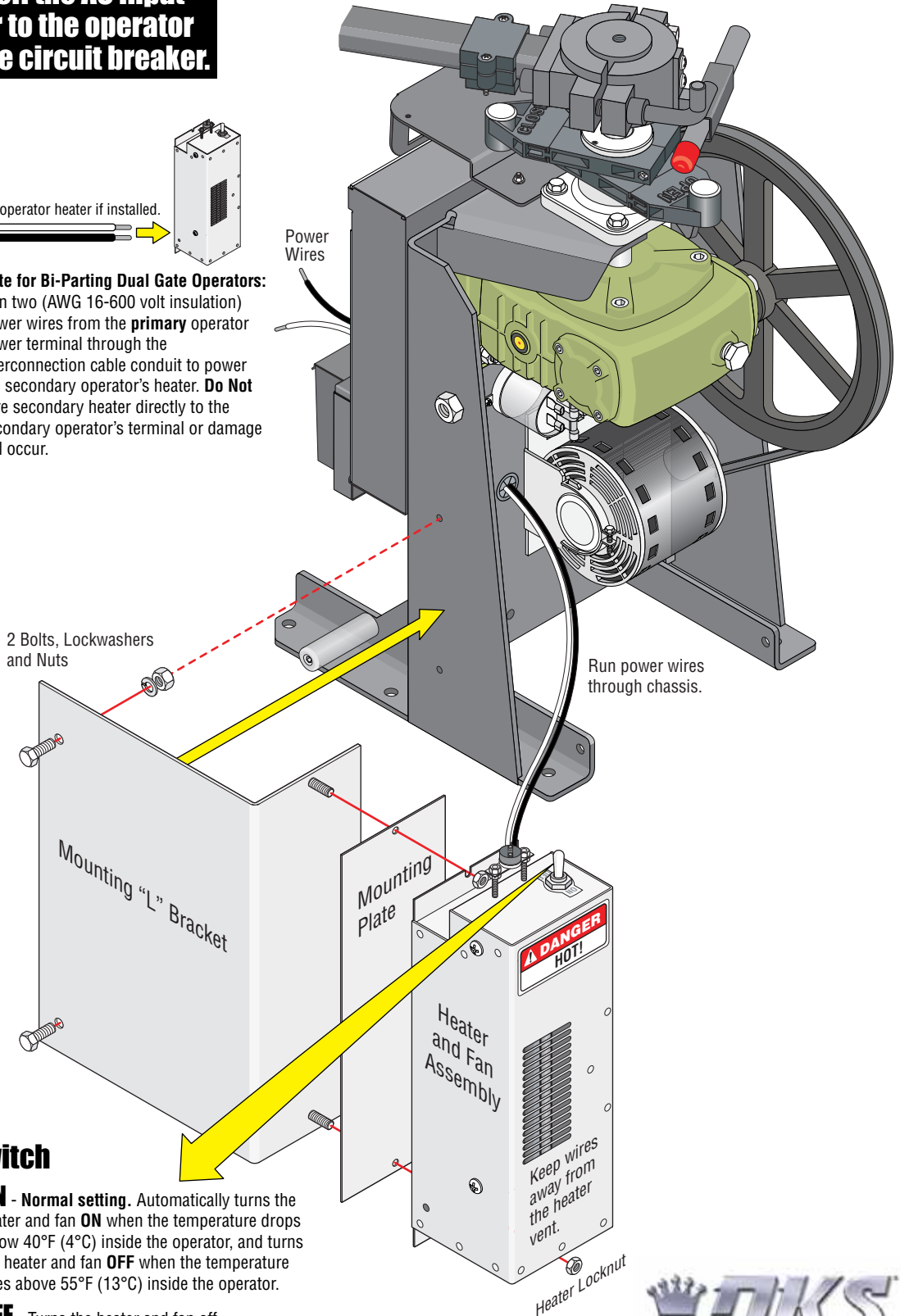
Shut off the AC input power to the operator from the circuit breaker.

Power Connection

Connect the heater power wires.



115 VAC Power Terminal



Heater Switch



ON - Normal setting. Automatically turns the heater and fan **ON** when the temperature drops below 40°F (4°C) inside the operator, and turns the heater and fan **OFF** when the temperature rises above 55°F (13°C) inside the operator.

OFF - Turns the heater and fan off.

DOORKING
120 S. Glasgow Avenue
Inglewood, California 90301 U.S.A.

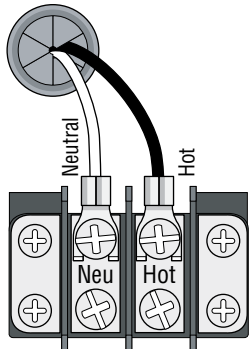
Installation of Heater for 6524 AC Powered 115 VAC

DoorKing Part Number
6500-480

Shut off the AC input power to the operator from the circuit breaker.

Power Connection

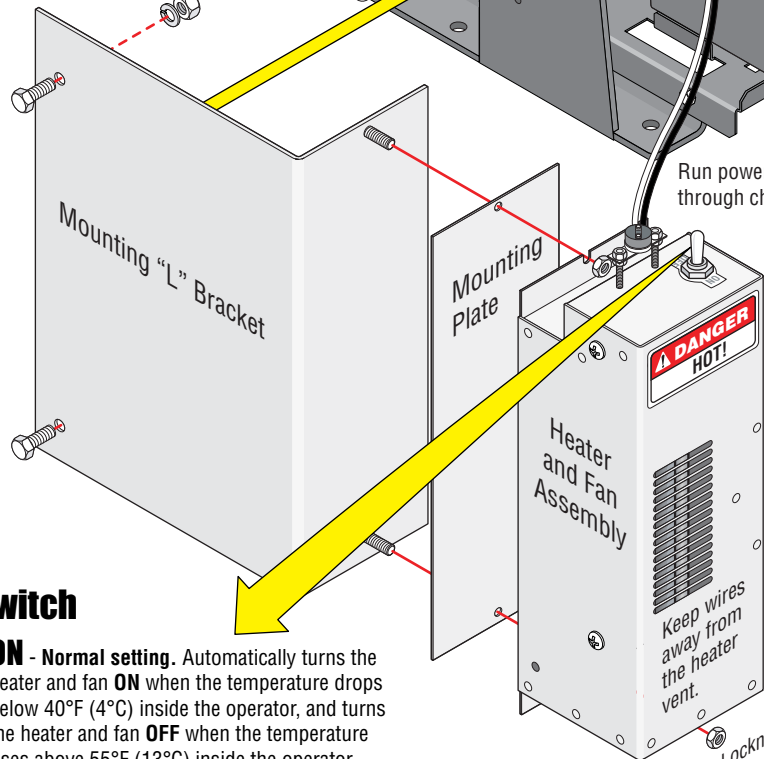
Connect the heater power wires.



**115 VAC
Power Terminal**



2 Bolts, Lockwashers
and Nuts



Run power wires
through chassis.

Keep wires
away from the
heater vents.

Heater **MUST** be
mounted on
mounting plate.

Heater Switch



ON - Normal setting. Automatically turns the heater and fan **ON** when the temperature drops below 40°F (4°C) inside the operator, and turns the heater and fan **OFF** when the temperature rises above 55°F (13°C) inside the operator.

OFF - Turns the heater and fan off.

Heater Locknut

DOOR KING
DOOR KING®
120 S. Glasgow Avenue
Inglewood, California 90301 U.S.A.