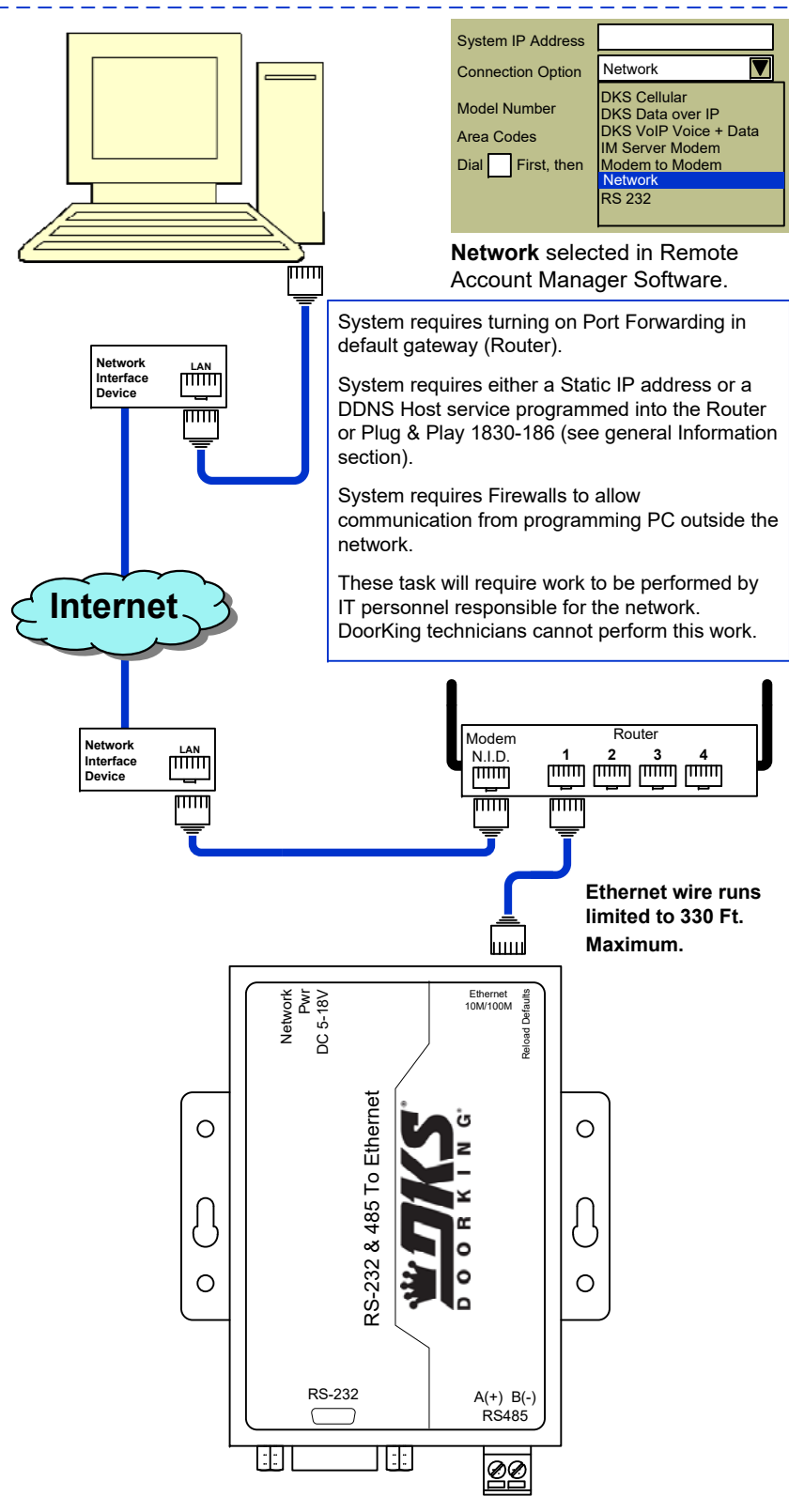


INSTRUCTIONS FOR 1830-185 TCP/IP MANUAL MODE to RS-232 CONVERTER KIT



Connection via INTERNET



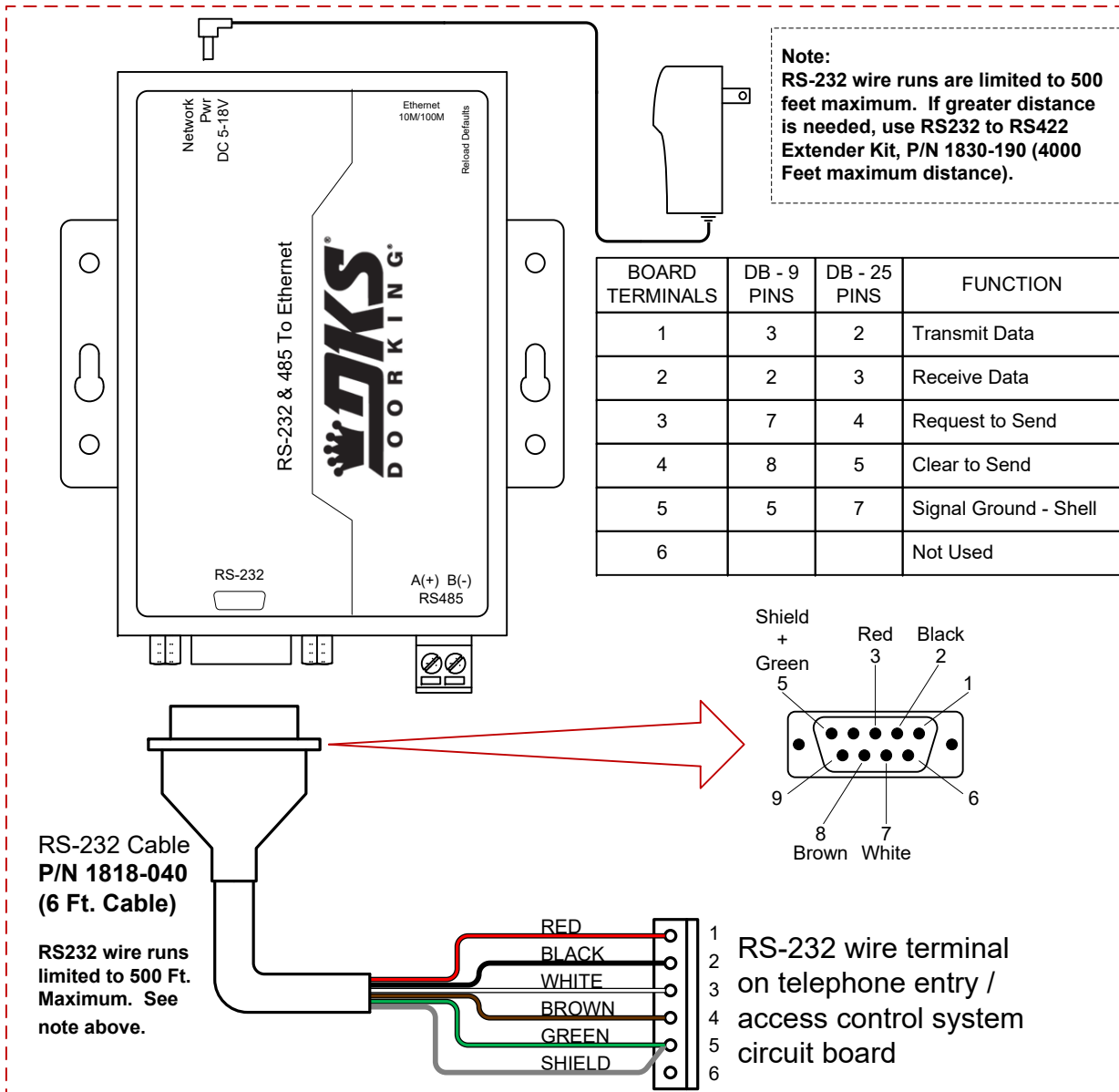
General Information

Use these instructions when using the TCP/IP adapter, part number 1830-185. This device is a manual setup (no subscription required). For Plug and Play setup (no manual setup required) use TCP/IP adapter part number 1830-186 (DKS Data over IP or DKS VoIP Voice + Data subscription service required).

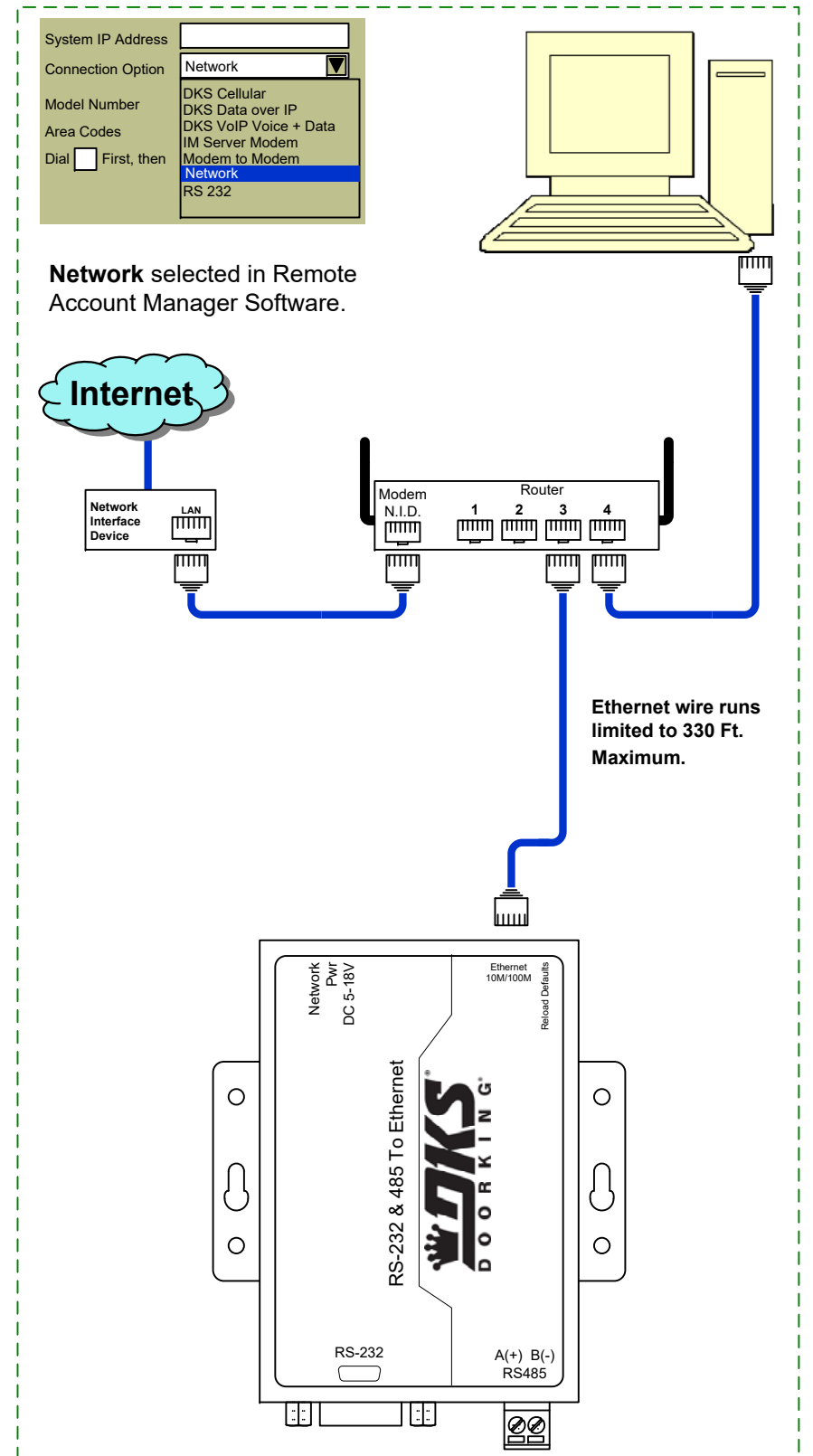
You can use the 1830-185 Converter Kit with the following DKS Systems:
 1830 Series Telephone Entry and Access Control Systems (1833, 1834, 1835, 1837, 1838).

Refer to these instruction manuals for additional information:
 P/N 1835-065 Telephone Entry Systems Installation Manual
 P/N 1838-065 Access Controller Installation Manual
 P/N 1835-066 Remote Account Manager Software User Manual

Connect Converter to 1830 Series Circuit Board RS-232 Terminals



Connection via LAN



Use these programming instructions only if the factory defaults in the converter need to be changed

A Windows (Computer) Settings

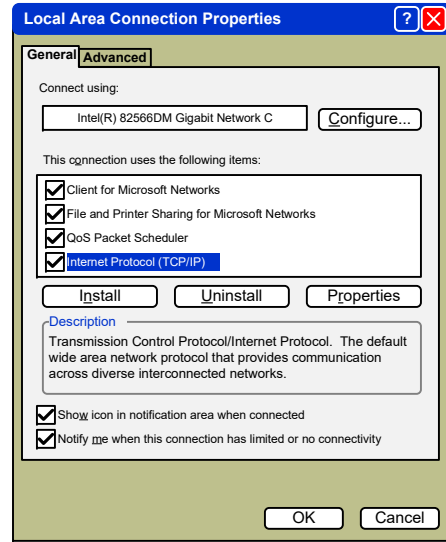
The following defaults in the **CONVERTER** are factory set. If they are satisfactory to your system, there is no need to change them.

IP Address: 192.168.1.40
 Gateway: 192.168.1.1
 Port: 1040
 Baud: 19200

- 1 If these defaults are not satisfactory, navigate to **Local Area Connections** in Windows. (Start – Control Panel – Network Connections – Properties)

Highlight **Internet Protocol (TCP/IP)**

Then click **Properties** to show the Internet Protocol (TCP/IP) Properties Window.

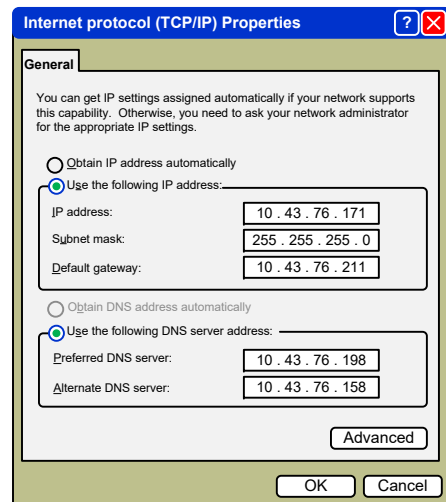


Before proceeding, write down the numbers (or take a screen print) in this window. You are only going to change the IP Address and you will need to put the same IP Address number back when programming of the **CONVERTER** is complete.

- 2 Ex: write down the numbers: (these numbers will not be the same in your computer)

IP Address: 10.43.76.171
 Subnet mask: 255.255.255.0
 Default gateway: 10.43.76.211

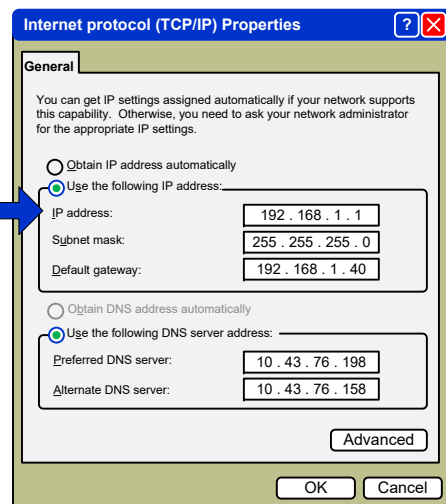
Preferred DNS server: 10.43.76.198
 Alternate DNS server: 10.43.76.158



- 3 Change IP Address to: **192.168.1.1**

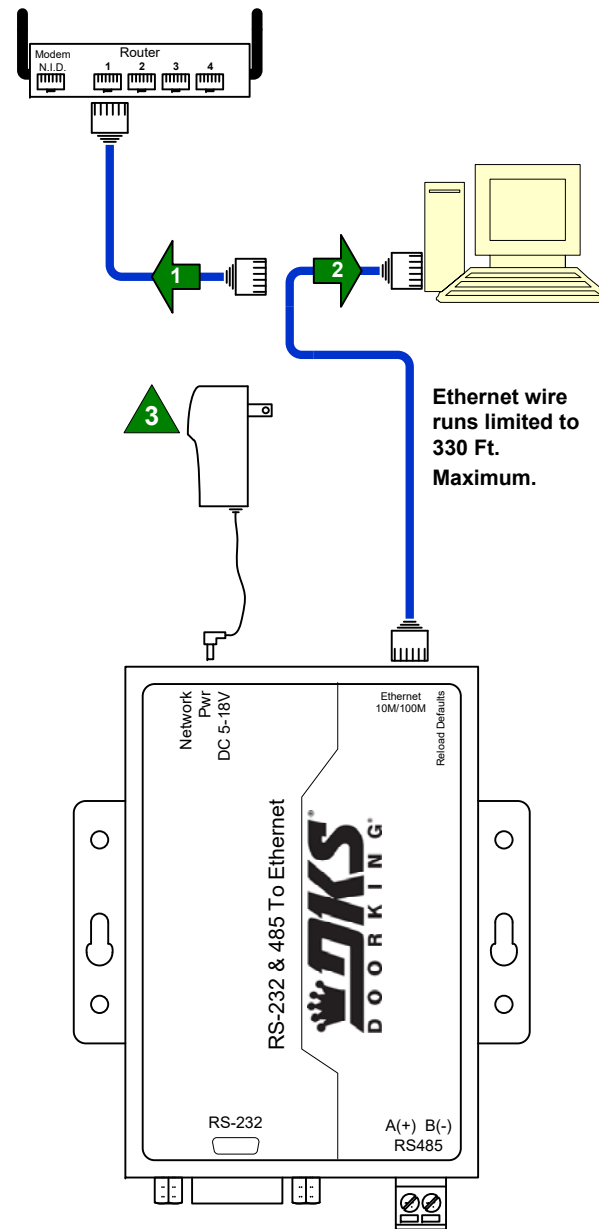
(This will allow your PC to connect to the **CONVERTER** so that you can change its settings.)

IMPORTANT! When you are finished configuring the **CONVERTER**, you must set the **IP Address** back to the original settings in order to get access back to your network.



B Connect 1830-185 for Programming

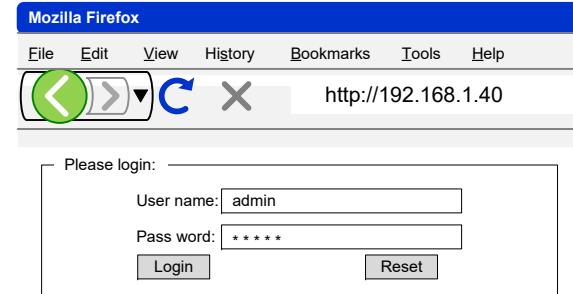
1. Unplug the network cable from your PC.
2. Using the **network cable supplied** with the 1830-185 kit, plug one end into your PC and the other into the **CONVERTER**.
3. Power the **CONVERTER** with the supplied power supply.
4. When completed, don't forget to plug the network cable back into the PC and the 1830-185 cable back into the router.



C Accessing the 1830-185 Menus

1. Open any browser and type in the address of the **CONVERTER**: **http://192.168.1.40**

The user Log In window for the **CONVERTER** will appear.



2. Enter the User name and pass word:
 User name: admin
 Password: admin

The parameter window will appear.

Current Status	Parameter
Local IP Config	Module Name: USR-TCP232-ED2
TTL1	Firmware Revision: 3017
TTL2	Current IP Address: 192.168.1.40
Web to Serial	Preferred DNS Server: 8.8.4.4
Misc Config	Standby DNS Server: 0.0.0.0
Reboot	MAC Address: 9c-a5-25-a8-sf-13
	Run Time: 0day: 2hour: 47min
	TX Count(ETH): 0/0/0 bytes
	RX Count(ETH): 0/0/0 bytes
	Conn Status(ETH)A: LISTEN/LISTEN/LISTEN
	Conn Status(ETH)B: IDLE/IDLE/IDLE

You can access settings of the **CONVERTER** **D** by using the menu at the left in the Status and Configuration screen.

It is highly recommended that you **DO NOT** change the password on the authentication screen. DoorKing will not be able to assist you if you don't know your ID or password. This system status window is informational and there's no need to change anything here.

Reset:

1. Remove power from module.
2. Press the Reload button and apply power.
3. Hold the reload button for 3 seconds, then release.

Module is now reset. TCP IP address will be 192.168.1.40. User name and password will be admin. All other settings will need to be configured.

IMPORTANT! When you are finished configuring the **CONVERTER**, you must set the Internet Protocol (TCP/IP) Properties screen on your PC back to its original settings in order to get access back to your network.

Follow the instructions **A 1** to get to the Internet Protocol (TCP/IP) Properties screen and then put your old settings back. **A 2**

Don't forget to plug the network cable back into the PC **B 1** and the **CONVERTER** cable back into the router. **B 2**

D Changing 1830-185 Settings

Port 0 Settings

The current settings for Port 0 may be changed using the form below.

Current Status	Parameter
Local IP Config	Baud Rate: 19200 bps(600 ~ 1M)
TTL1	Data Size: 8 bit
TTL2	Parity: None
Web to Serial	Stop Bits: 1 bit
Misc Config	Flow Mode: RTS/CTS
Reboot	UART packet Time: 0 (0 ~ 255)ms
	UART packet length: 0 (0 ~ 1460)chars
	Sync Baudrate (RF2217 similar): <input checked="" type="checkbox"/>
	Enable Uart Heartbeat Packet: <input type="checkbox"/>
	Socket A Parameters
	Work Mode: TCP Server
	TCP Server MAX Sockets: 8 Up to MAX KICK
	Local Port Number: 1040 (1 ~ 65535)
	PRINT: <input type="checkbox"/>
	Modbus TCP Poll: <input type="checkbox"/> Poll Timeout: 200 (0 ~ 9999) ms
	Enable Net Heartbeat Packet: <input type="checkbox"/>
	Registry Type: None Location Connect With
	Socket B Parameters
	Work Mode: NONE

Notes:
 Baud Rate can only be set to 9600 or 19200. These are the only two speeds that 1830 Series boards will run at. Leave all other settings as shown when the converter is used in the **Server Mode**.

IP Address Selection

Current Status	Parameter
Local IP Config	IP type: Static IP
TTL1	DNS type: Auto
TTL2	Static IP: 192 168 1 40
Web to Serial	Submask: 255 255 255 0
Misc Config	Gateway: 192 168 1 1
Reboot	DNS Server: 8 8 4 4

Notes:
 These are the default settings and should be left alone. If the static IP address is changed, the module will lose communication with the PC. You will need to log into the module at the new IP address using the browser.