

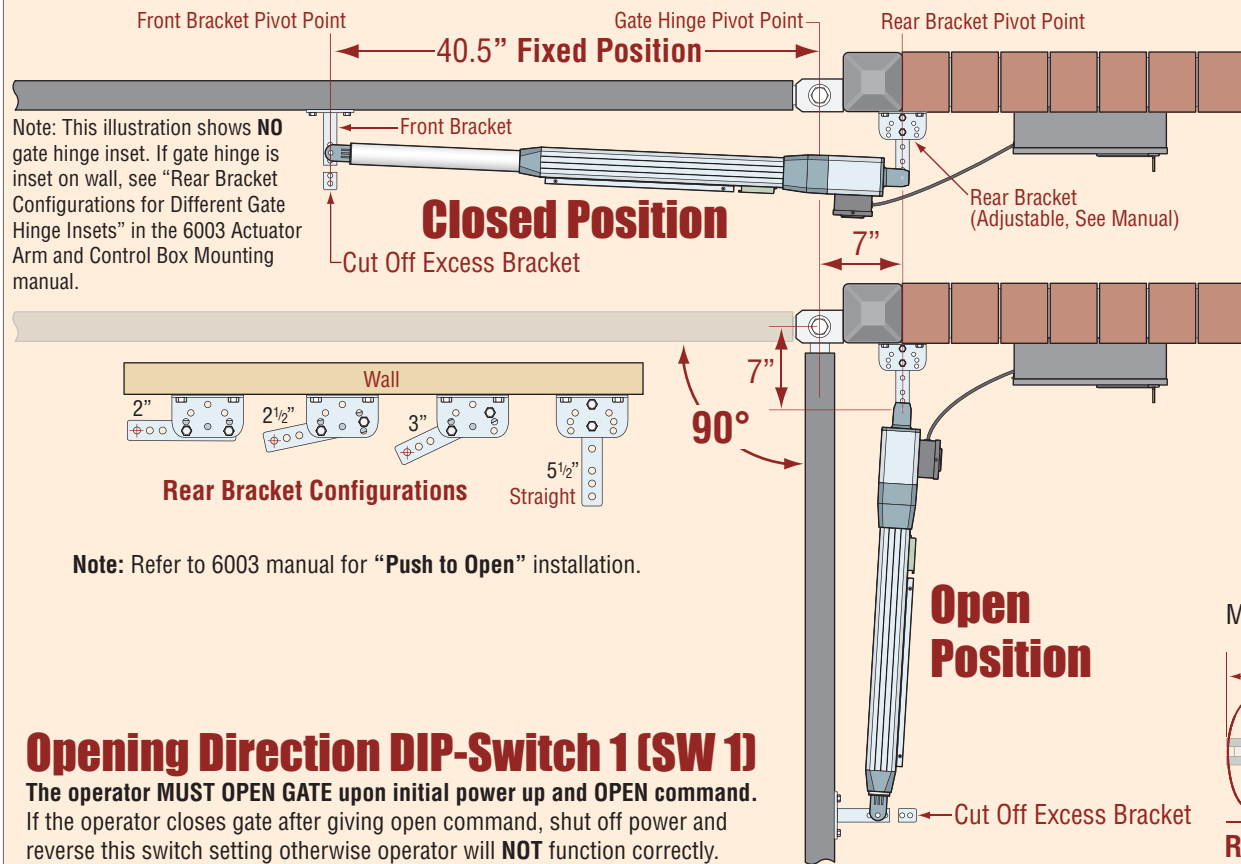
# QUICKSTART "BASIC" GUIDELINES FOR MODEL 6003 - FOR A GATE UP TO 10 FEET, 300LBS AND "PULL TO OPEN"

UL 325 August  
2018 Standard



120 S. Glasgow Avenue  
Inglewood, California 90301  
U.S.A.

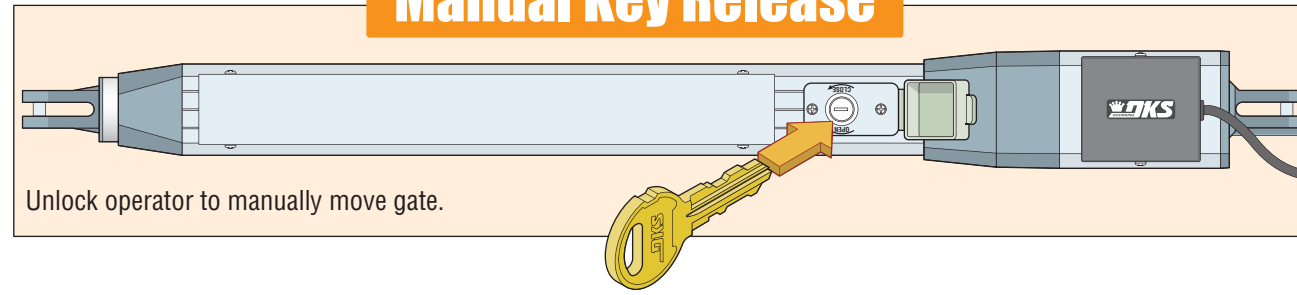
## "PULL to Open" Installation



THIS PRODUCT IS TO BE INSTALLED AND SERVICED BY A TRAINED GATE SYSTEMS TECHNICIAN ONLY.  
Visit [www.dkslocator.com](http://www.dkslocator.com) to find a professional installing and servicing dealer in your area.

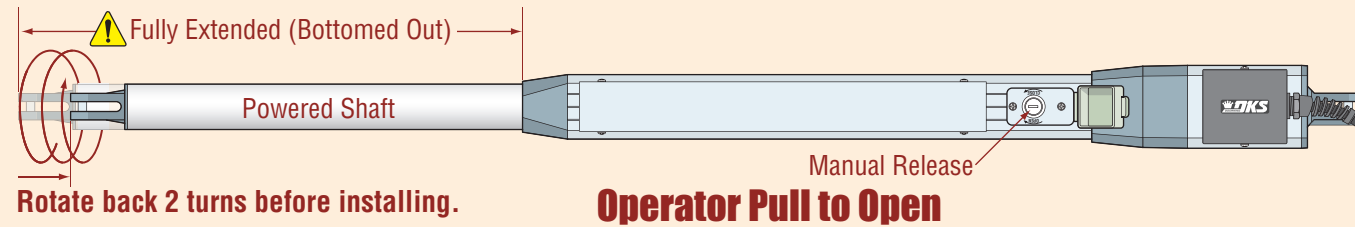
The 6003 is intended for installation only on swing gates used for vehicles. Pedestrians must be supplied with a separate access opening. For safety and installation instructions, please refer to 6003 Actuator Arm and Control Box Mounting manual, 115 VAC or Solar Control Box Wiring/Owner's manuals.

## Manual Key Release



## Prevent Powered Shaft from Bottoming Out

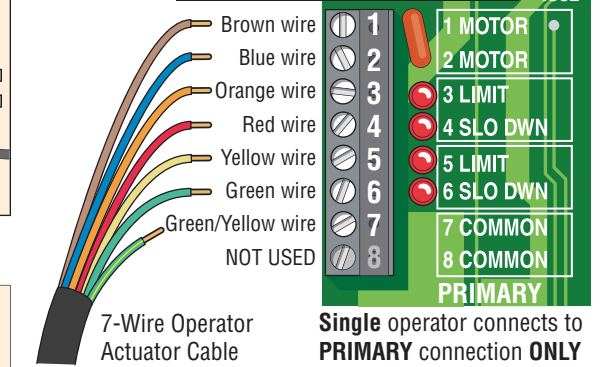
Manually release the arm and fully extend the powered shaft. Rotate it back two full turns before installing the arm.



## Wiring to Circuit Board

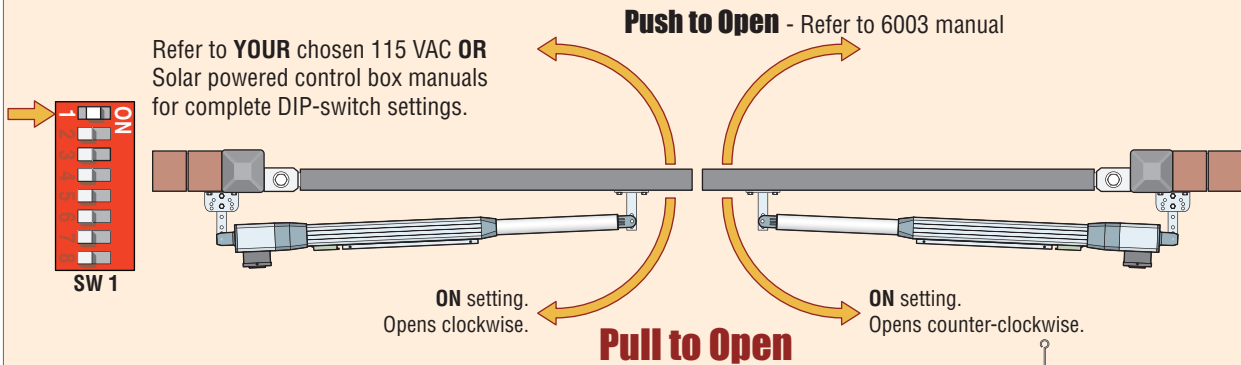
Connect to the 115 VAC OR Solar control box circuit board.

Note: If factory wired jumpers are on operator terminal, they **MUST** be removed.



## Opening Direction DIP-Switch 1 (SW 1)

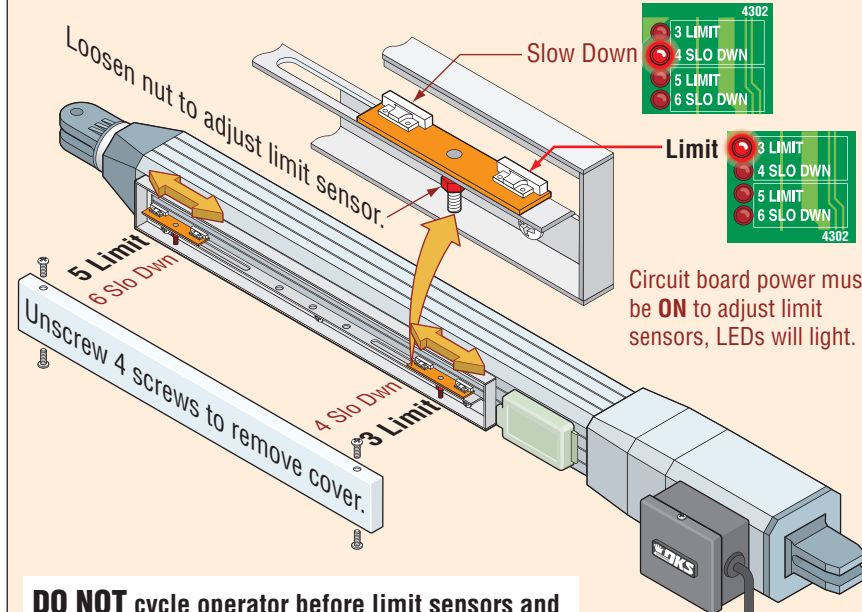
The operator **MUST OPEN GATE** upon initial power up and OPEN command. If the operator closes gate after giving open command, shut off power and reverse this switch setting otherwise operator will **NOT** function correctly.



## Limit Sensors Adjustment

### Operator Pull to Open

Manually move the gate to the desired open or closed position. Loosen the limit nuts and slowly slide the limit assemblies until the **LIMIT** LEDs on the circuit board light up.



**DO NOT** cycle operator before limit sensors and DIP-switches have been adjusted, damage could occur to gate and operator.

Note: Only 1 monitored Device can be connected for each cycling direction. An **OPTIONAL** Expansion Kit (sold separately) will allow connection for additional devices. Refer to **YOUR** chosen 115 VAC OR Solar powered control box manuals to wire entrapment protection devices.

