

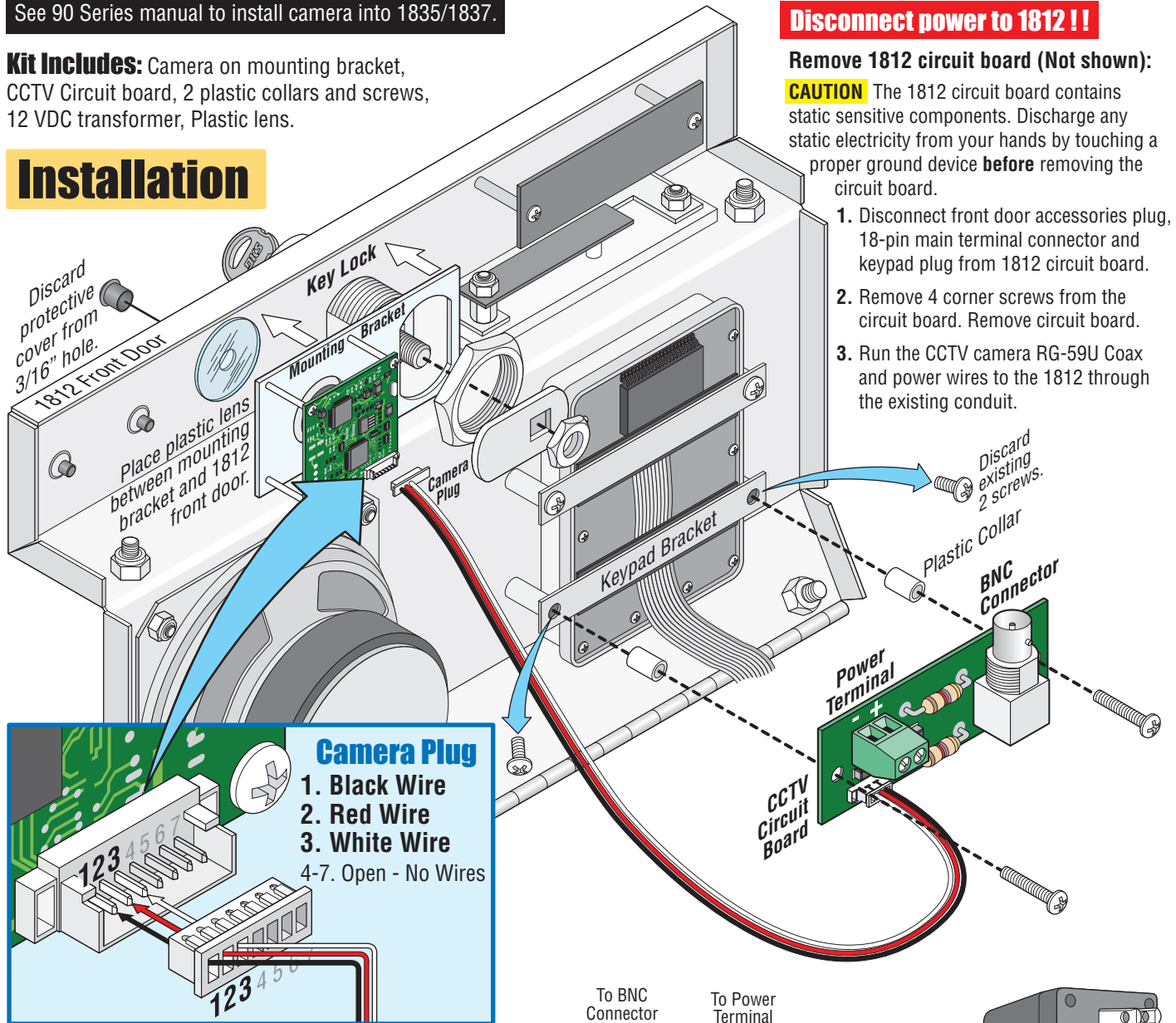
1812 CCTV CAMERA KIT

The camera (1894-040) in this kit is a high quality camera with 520 lines of resolution. Minimum illumination is required (.25 Lux). The camera automatically switches from color to black and white in low light conditions. **Not** for use in 1812 Wall Mount Models.

See 90 Series manual to install camera into 1835/1837.

Kit Includes: Camera on mounting bracket, CCTV Circuit board, 2 plastic collars and screws, 12 VDC transformer, Plastic lens.

Installation



Disconnect power to 1812 !!

Remove 1812 circuit board (Not shown):

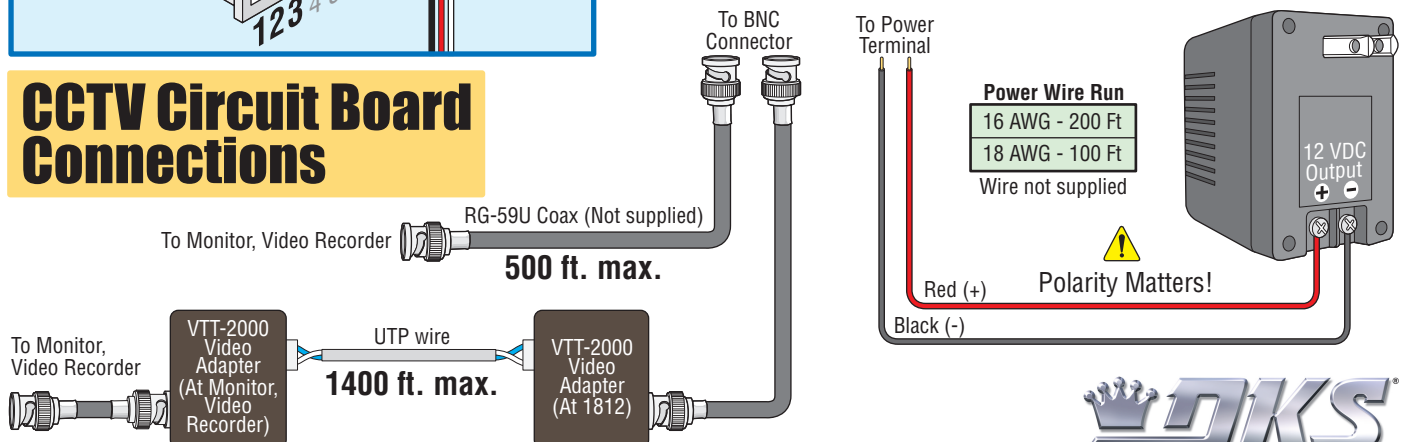
CAUTION The 1812 circuit board contains static sensitive components. Discharge any static electricity from your hands by touching a proper ground device **before** removing the circuit board.

1. Disconnect front door accessories plug, 18-pin main terminal connector and keypad plug from 1812 circuit board.
2. Remove 4 corner screws from the circuit board. Remove circuit board.
3. Run the CCTV camera RG-59U Coax and power wires to the 1812 through the existing conduit.

Camera Plug

1. Black Wire
2. Red Wire
3. White Wire
- 4-7. Open - No Wires

CCTV Circuit Board Connections



DoorKing offers video adapters (Not supplied) for up to 1400 ft using unshielded twisted pair telephone wire. (P/N 1812-039)

