

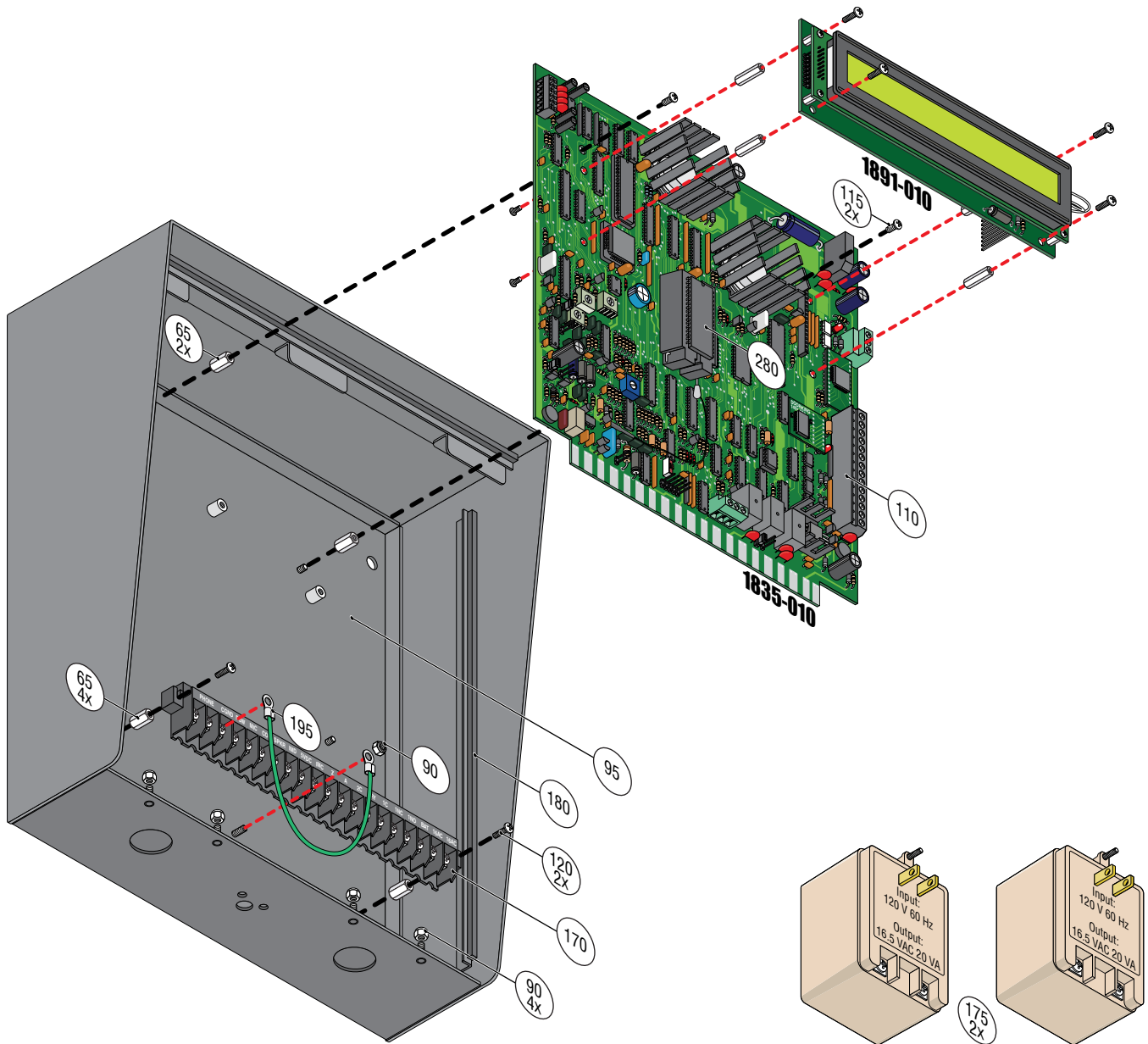
# ILLUSTRATED PARTS BREAKDOWN - IPB

## Bill of Materials - BOM

**1835 Surface Mount**  
**1835-080**

Item	Part Number	Quantity	UM	Description
10	2600-735	1	EA	Hole Plug Blk Nylon .250" dia.
15	1814-004	1	EA	Cover Plastic Light
20	1814-003	1	EA	Cover Plastic Display
25	1804-023	1	EA	Decal FCC
35	1804-042	1	EA	Hole Plug
40	1400-009	1	EA	Decal Identification
45	1804-039	2	EA	Retaining Strip Keypad
50	1895-016	1	EA	Keypad 10 Pin Alph/Num Header
51	1804-038	1	EA	Wire Ribbon Cable Assy 10 Cond
55	2599-008	1	EA	Label Patent
57	1998-010	1	EA	PCB Microphone Short, SMT
60	2356-010	2	EA	PCB LED Light Straight
65	2900-905	4	EA	Standoff Aluminum 7/16" 6-32
70	4001-035	1	EA	Lock N16058BDxSFx2K Key 16120
73	1702-501	1	EA	Cam 7/8"
80	2902-006	2	EA	Nut Nylon Lock 10-32
85	2902-002	4	EA	Nut Nylon Lock 4-40
90	2902-003	19	EA	Nut Nylon Lock 6-32
95	1810-101	1	EA	Box Phone Slant
97	1814-053	1	EA	Faceplate Phone Surface 3 But
100	1814-036	1	EA	Subplate Surface 3 Button
105	1814-032	1	EA	Plate - Switch 3 Button
106	2600-734	1	EA	Nameplate Plastic DKS Small
107	2802-040	2	EA	Washer Push on Clamp
108	1897-050	2	EA	Gasket Support Thick 1/16"
110	1835-010	1	EA	PCB Modem Prog/Electr Dir Phone
115	2905-001	2	EA	Screw Round Head 6-32 x 1/4"
120	2905-003	6	EA	Screw Round Head 6-32 x 1/2"
130	1804-016	6	EA	Screw Truss Head 6-32 x 3/16"
150	1804-290	1	EA	Speaker Assembly
155	1860-126	4	EA	Washer Nylon Shoulder
156	1860-032	4	EA	Washer Nylon Retaining #6
160	1804-024	1	EA	Switch Micro No NC C
170	1814-049	1	EA	Terminal 20 Pin
175	1804-060	2	EA	Transformer 16.5 VAC 20VA plug
180	1800-018	2.91	FT	Weather Strip .125"x .187"
195	7082-059	1	EA	Wire 8.5" Green 18 AWG Strd
215	1804-040	1	EA	Wire Telephone Line Cord
220	1804-028	3	EA	Mount Wire Clip
225	1804-031	7	EA	Tie Wrap 4"
231	1814-140	1	EA	Button Assembly Chrome A
232	1814-141	1	EA	Button Assembly Chrome Z
233	1814-142	1	EA	Button Assembly Chrome Call
235	1815-025	1	EA	Remote Program Pac Windows
237	1835-065	1	EA	Manual - Owner's
	1835-066	1	EA	Manual - User's
245	2600-884	1	EA	Label E.T.L. Separable
265	1804-196	1	EA	Speaker Gasket 1/16" thick
270	1897-053	1	EA	Gasket, Microphone
275	1876-025	2	EA	Ferrite Snap-on Filter Steward
280	1835-147	1	EA	Memory 3000 Phone Card APB
281		1	EA	Wire Harness 1835 Front Panel

# 1835 Surface Mount - Enclosure



# 1835 Surface Mount - Faceplate

