

ILLUSTRATED PARTS BREAKDOWN - IPB

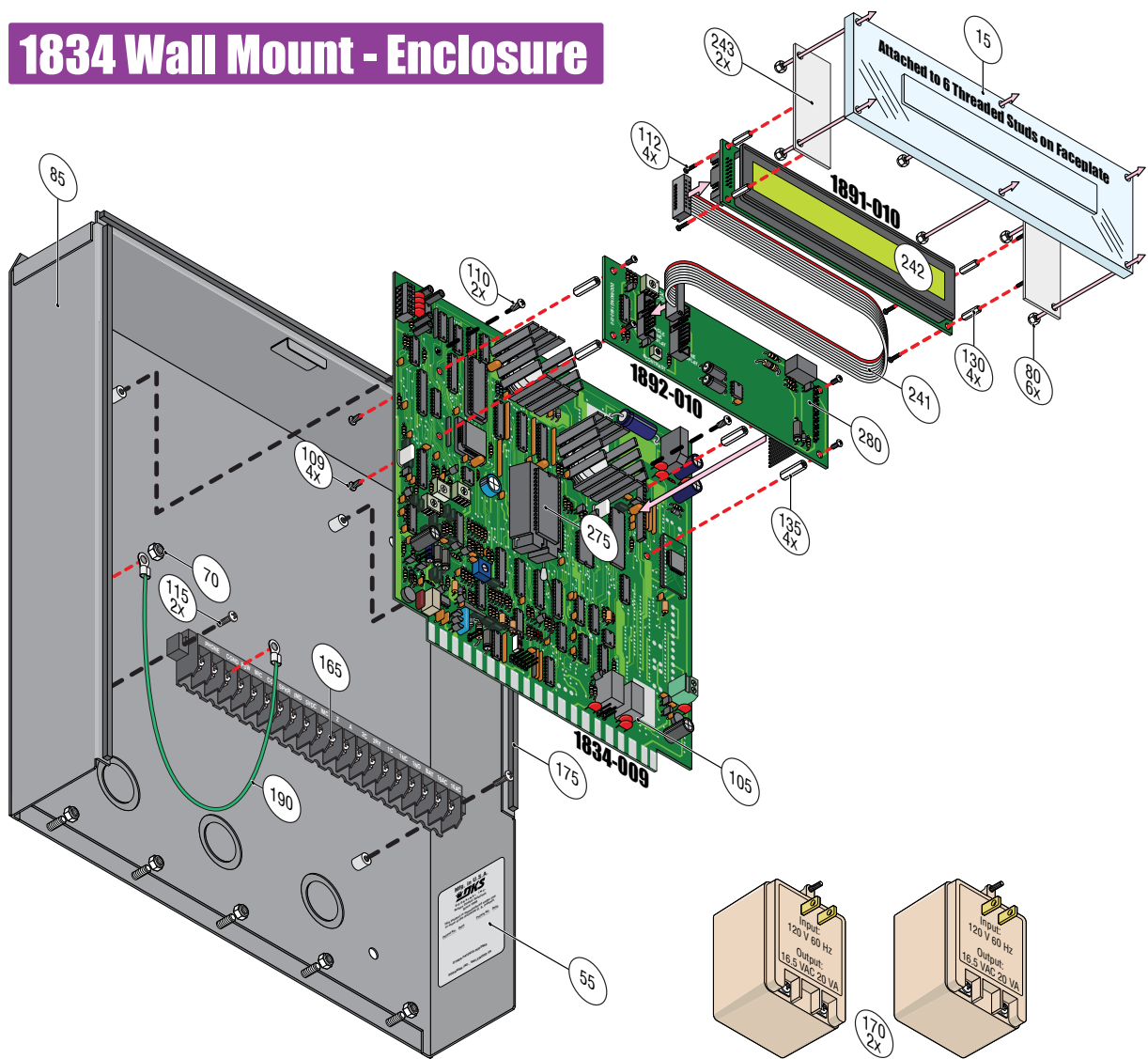
Bill of Materials - BOM

1834 Wall Mount
1834-089

Item	Part Number	Quantity	UM	Description
15	1815-004	1	EA	Cover Plastic Wall Mnt 1 Line
20	1804-023	1	EA	Decal FCC
30	1804-042	1	EA	Hole Plug
40	1400-009	1	EA	Decal Identification
45	1804-039	2	EA	Retaining Strip Keypad
50	1895-016	1	EA	Keypad 10 Pin Alph/Num Header
51	1804-038	1	EA	Wire Ribbon Cable Assy 10 Cond
55	2599-008	1	EA	Label Patent
57	1998-010	1	EA	PCB Microphone Short, SMT
60	4001-035	1	EA	Lock N16058BDxSFx2K Key 16120
63	1702-514	1	EA	Cam Wall Mnt. Offset
70	2902-006	3	EA	Nut Nylon Lock 10-32
75	2902-002	4	EA	Nut Nylon Lock 4-40
80	2902-003	27	EA	Nut Nylon Lock 6-32
85	1835-100	1	EA	Box Wall Mnt.
90	1835-027	1	EA	Subplate Wall Mnt. 1 Line
95	1835-055	1	EA	Faceplate Wall Mnt 1 Line Dsp
97	1835-057	1	EA	Faceplate Wall Mnt. Keypad
100	1814-032	1	EA	Plate - Switch 3 Button
101	2600-734	1	EA	Nameplate Plastic DKS Small
102	2802-040	2	EA	Washer Push on Clamp
103	1897-050	2	EA	Gasket Support Thick 1/16"
105	1834-009	1	EA	PCB Modem Prog/No Card Phone
110	2905-001	2	EA	Screw Round Head 6-32 x 1/4"
115	2905-003	2	EA	Screw Round Head 6-32 x 1/2"
120	1804-015	4	EA	Screw Philips Nylon 6-32 x3/8"
125	1804-016	6	EA	Screw Truss Head 6-32 x 3/16"
130	1894-008	4	EA	Standoff Nylon 3/16x7/16x2-56
135	2900-905	1	EA	Standoff Aluminum 7/16" 6-32
140	3002-004	2	EA	Spacer Nylon 6 x 7/16"
145	1817-190	1	EA	Speaker Assembly Oval
150	1817-191	1	EA	Speaker Gasket Oval
151	1817-197	1	EA	Speaker Gasket Oval
153	1860-029	16	EA	Washer Nylon #6 16FN006062
155	1804-024	1	EA	Switch Micro No NC C
165	1814-049	1	EA	Terminal 20 Pin
170	1804-060	2	EA	Transformer 16.5 VAC 20VA plug
175	1800-018	2.91	FT	Weather Strip .125"x .187"
190	7082-059	1	EA	Wire 8.5" Green 18 AWG Strd
200	2342-010	1	EA	PCB LED Front Panel Light
210	1804-040	1	EA	Wire Telephone Line Cord
215	1804-028	3	EA	Mount Wire Clip
230	1814-140	1	EA	Button Assembly Chrome A
231	1814-141	1	EA	Button Assembly Chrome Z
232	1814-142	1	EA	Button Assembly Chrome Call
235	1815-025	1	EA	Remote Program Pac Windows
240	3002-021	4	EA	Spacer Nylon 6 x 3/8"
241	1815-048	1	EA	Wire-16 Conductor Ribbon 38"
242	1896-019	1	EA	Display LCD Assy 1 Line
243	1835-015	2	EA	Bracket Display on Door
245	1835-065	1	EA	Manual - Owner's
	1835-066	1	EA	Manual - User's
246	1897-053	1	EA	Gasket, Microphone
255	2600-884	1	EA	Label E.T.L. Separable
265	1876-025	1	EA	Ferrite Snap-on Filter Steward

Item	Part Number	Quantity	UM	Description
275	1834-157	1	EA	Memory 3000 Phone Numbers Only
276		1	EA	Wire Harness 1834 Front Panel

1834 Wall Mount - Enclosure



1834 Wall Mount - Faceplate

