

# QUICKSTART "BASIC" GUIDELINES FOR THE MODEL 1000 INVERTER/ POWER BACK-UP SYSTEM



**WARNING!** The Model 1000 produces lethal voltages.

The Model 1000 should be installed by a qualified electrician. For complete safety and installation instructions, please refer to the Owner's manual.

**Note:** DoorKing's Model 1000 Power Inverter uses a modified sine wave as the AC output. DoorKing gate operators that use a current sensor device (ERD) have been specifically designed to work within the limits of the Inverter's modified sine wave. Third party vehicular gate operators that use a current sensor device (ERD) as an inherent entrapment protection system may experience false entrapment inputs when the inverter powers them.

## Before Wiring Inverter:

Be sure that both the **Input AC Power** and **Output AC Power** switches are **OFF** and remain **OFF** until **ALL** wiring is complete.

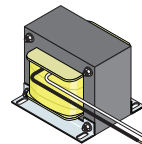
**Important Wiring Sequence:** ① Connect the gate operator(s). ② Connect the 115 VAC input AC power wire. ③ Connect the battery(s). ④ Plug in J1 connector last. After the J1 plug has been plugged in, the wiring is complete and the **Input AC Power** and **Output AC Power** switches can be turned on to activate the system.

## 115 VAC Input Power Wire

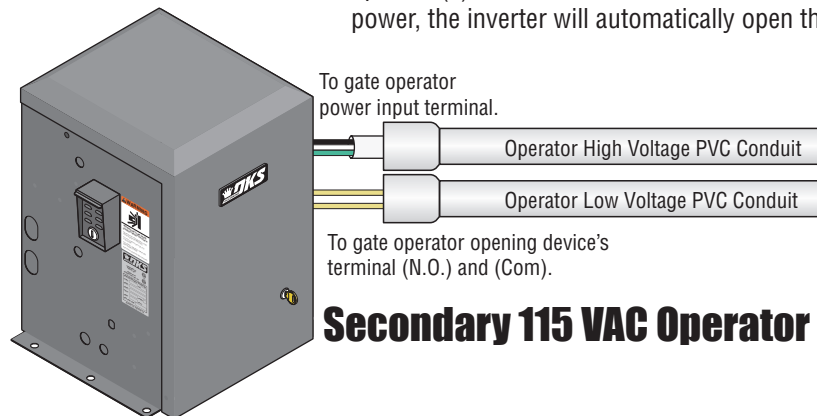
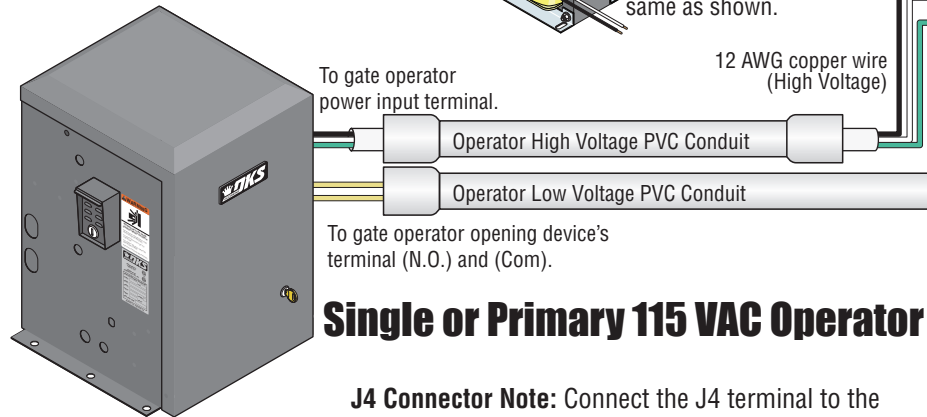
Input power wire must be connected to a grounded, permanent wiring system. **Tip:** It is recommended that a surge suppressor be installed on the high voltage power wire.



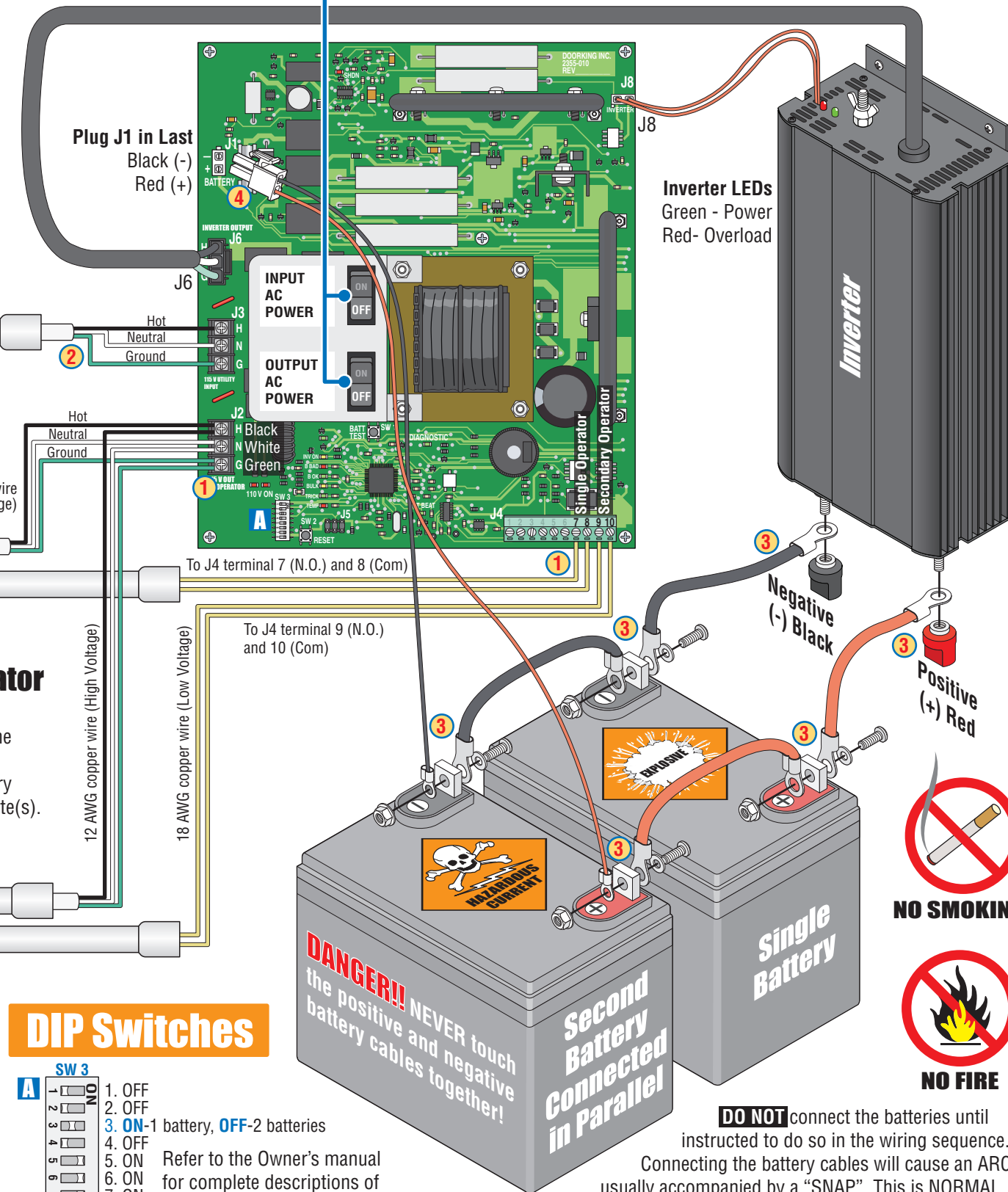
## Gate Operator(s)



**Note:** "Optional" High Voltage Kit black and white wires connect the same as shown.



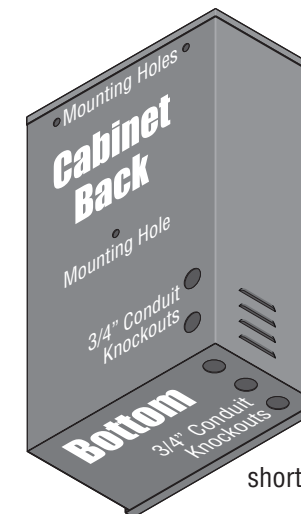
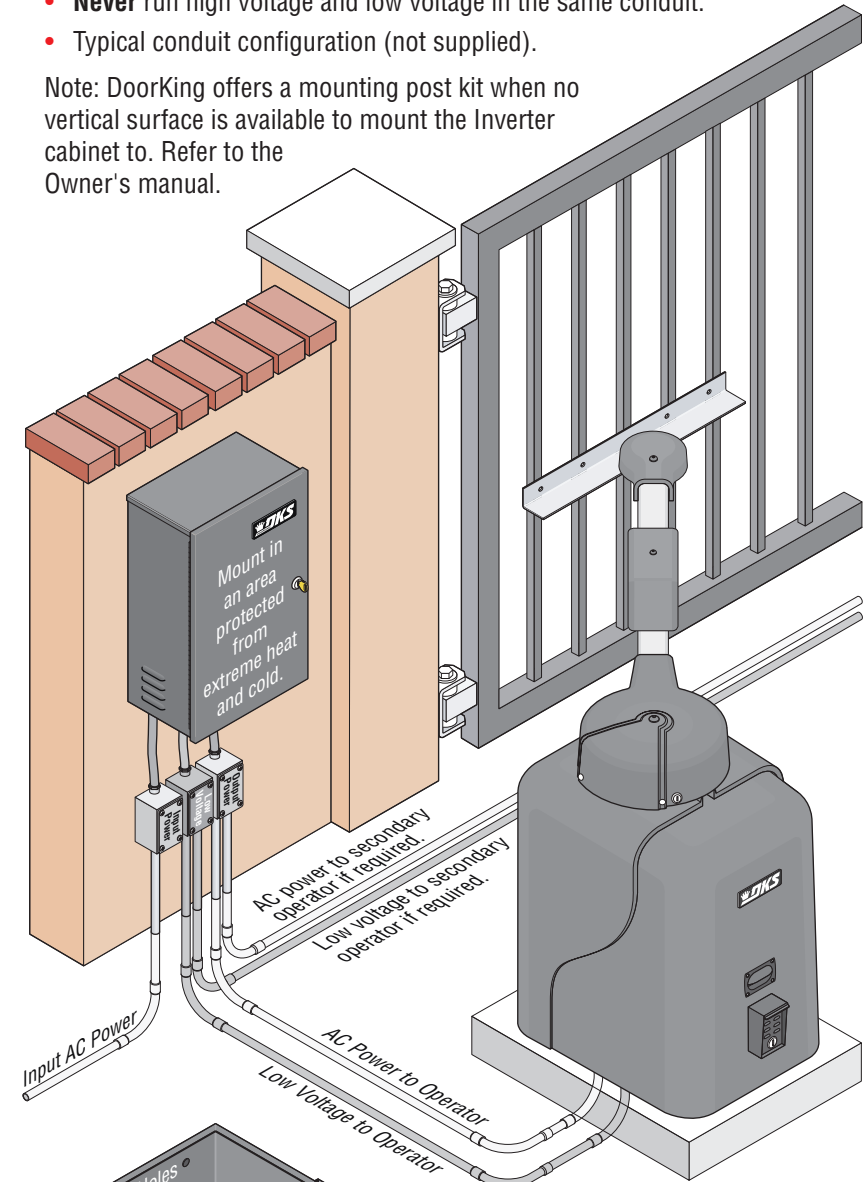
**IMPORTANT!** The model 1000 can only be used with products that use a PSC (Permanent Split Capacitor) motor. Do Not use the model 1000 on products that utilize a motor with start windings as the start-up amperage draw on this type of motor exceeds the maximum output available from the model 1000 and will cause damage to the inverter. The differences in these two types of motors is difficult to recognize, so we suggest that you contact the manufacturer to determine what type of motor is used in their product.



## Mount Cabinet on Vertical Surface

- **Never** run high voltage and low voltage in the same conduit.
- Typical conduit configuration (not supplied).

**Note:** DoorKing offers a mounting post kit when no vertical surface is available to mount the Inverter cabinet to. Refer to the Owner's manual.



**Note:** The Model 1000 operates best when it can be installed as physically close as possible to the equipment that it will operate during power outages. This reduces line loss.

Use appropriate hardware (not supplied) in the existing 3 mounting holes to secure the cabinet to a vertical surface.

**DO NOT** drill any additional holes in the cabinet. Drilling produces metal filings, which can cause shorts on the circuit board and **will void the warranty.**