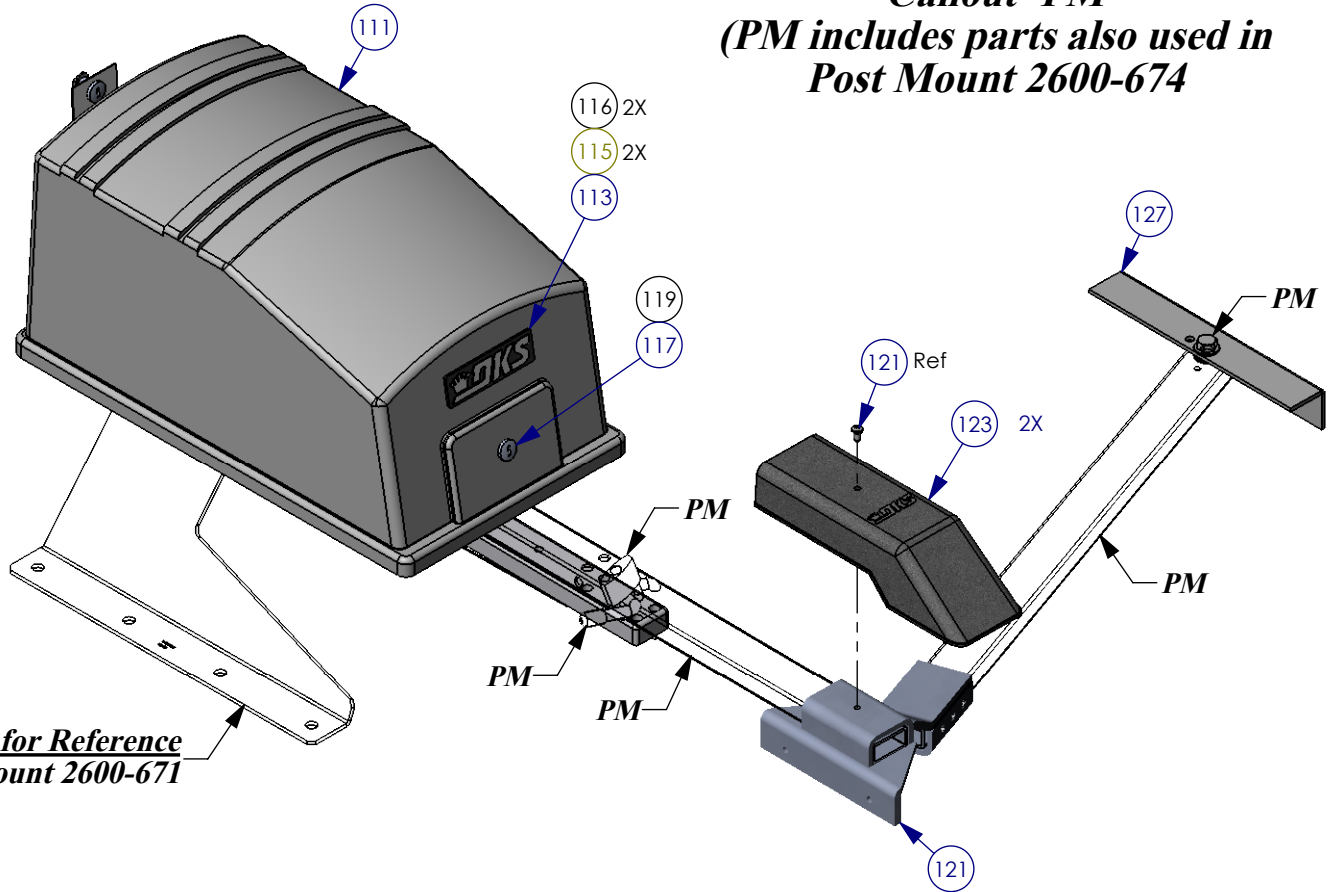


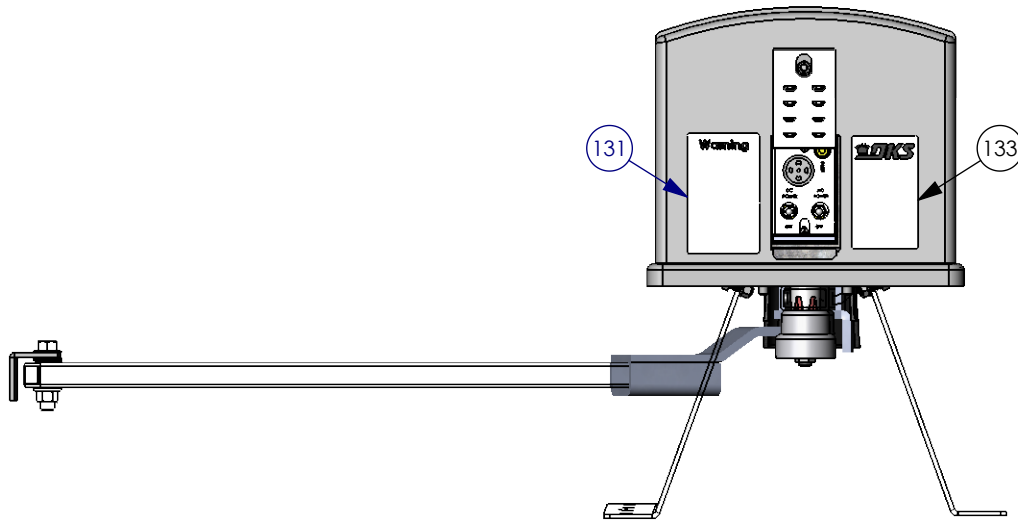
REVISIONS

ZONE	REV.	DESCRIPTION	DATE	APPROVED
	L	Added Item 116. Deleted Item Was: 2615-051.	4/5/2012	DC
	N	M Added Item 127: 2600-711. 01/21/09 Sal, N Added 9200-190 Resistor Kit UL325 2/1/16 PSK Remove 2600-630&-631 Cover Add 6500-220 (2) 3/1/16 DC	3/2/2016	DC

***Shown for Reference in Outline Form***  
***Pad Mount 2600-671***  
***Callout=PM***  
***(PM includes parts also used in***  
***Post Mount 2600-674***




***Shown for Reference***  
***Pad Mount 2600-671***



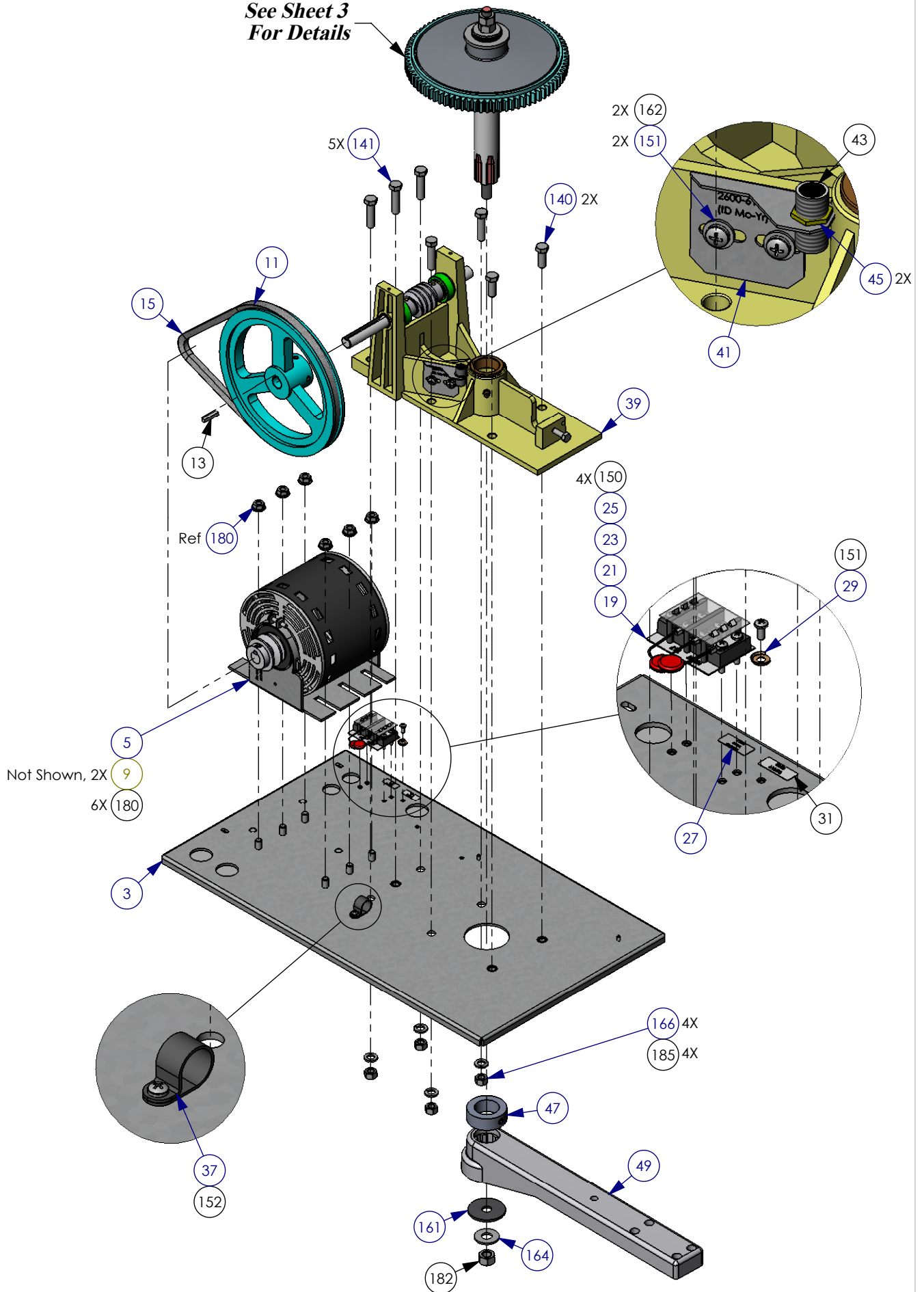
2. Items 200-210 Not Shown for Clarity.

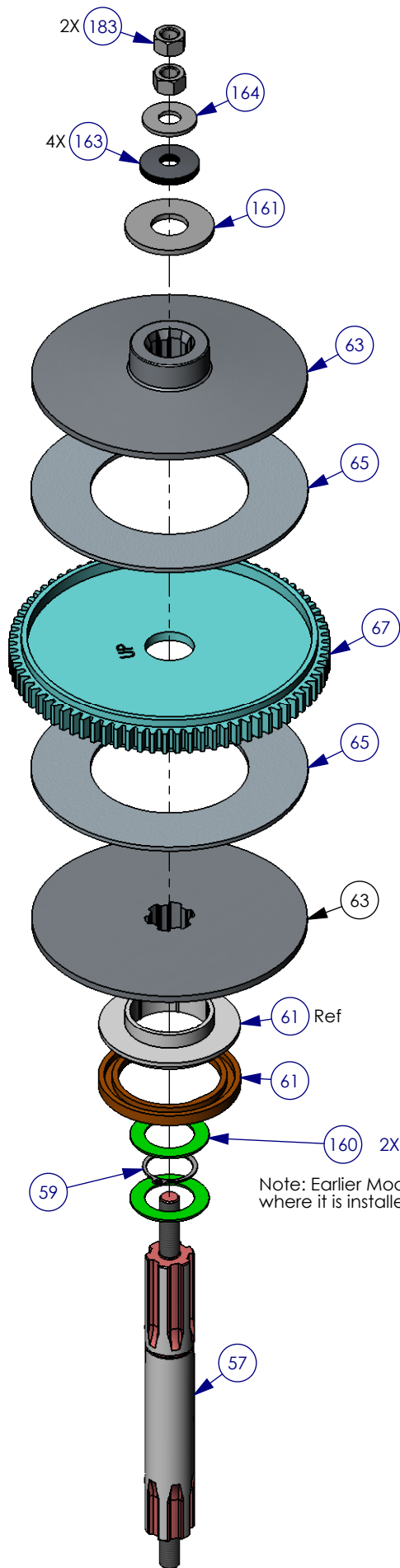
1. See attached reference sheet for BOM;  
 Reference Movex 6100-080 Rev L.

Notes: Unless Otherwise Specified.

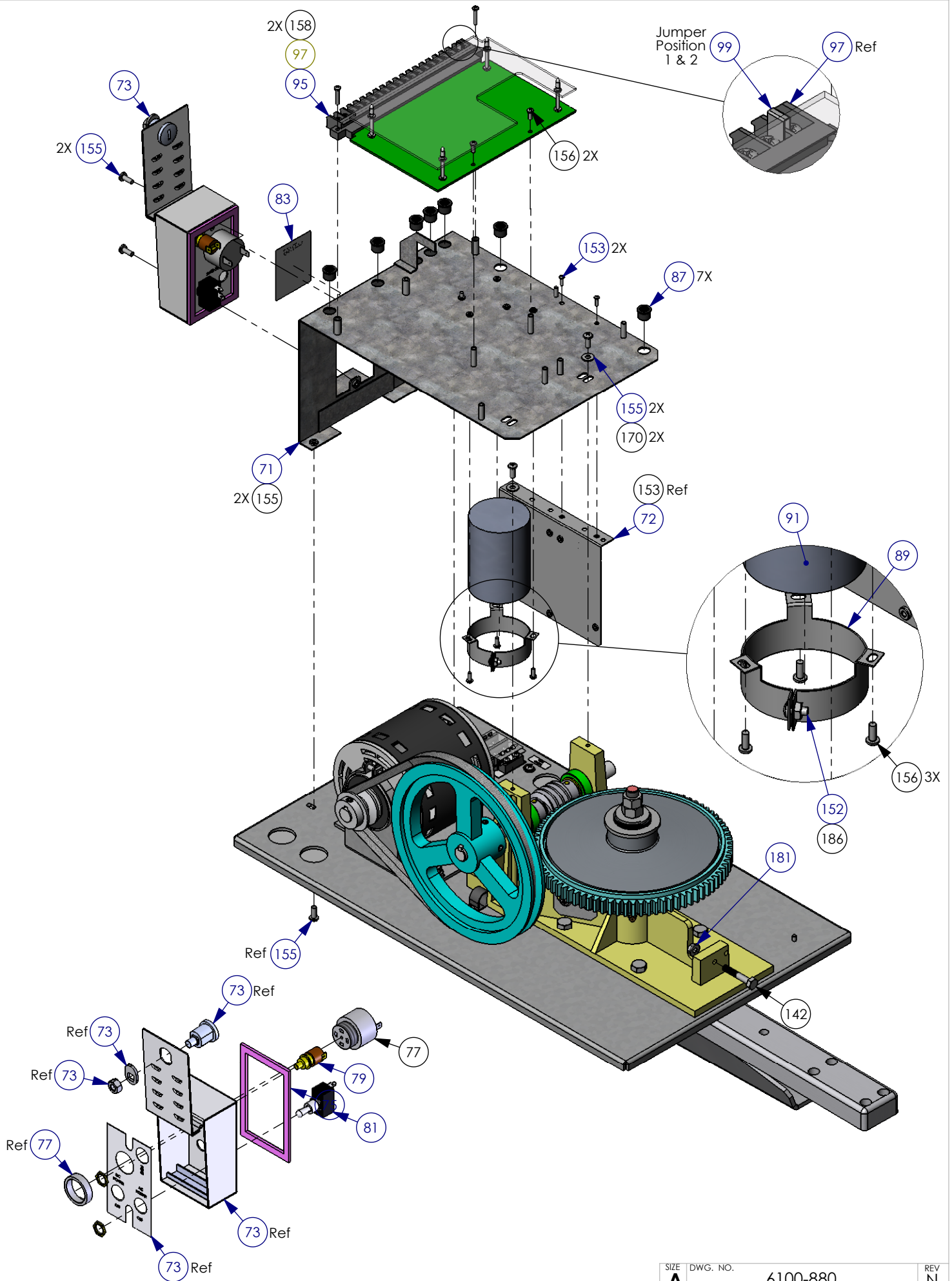
<b>PROPRIETARY AND CONFIDENTIAL</b> THE INFORMATION CONTAINED IN THIS DRAWING IS THE SOLE PROPERTY OF Door King. ANY REPRODUCTION IN PART OR AS A WHOLE WITHOUT THE WRITTEN PERMISSION OF Door King IS PROHIBITED.	DRAWN	NAME	DATE	 IPB-Model 6100-080, 1/2HP, Primary	REV N
	CHECKED	Sal	08/04/08		
	COMMENTS:				
	SIZE	DWG. NO.		6100-880	
	A		Scale: None		SHEET 1 OF 6

See Sheet 3  
For Details





Note: Earlier Models have only one Washer (Item 160) where it is installed under Snap Ring (Item 59)



ITEM	PART #	QTY	DESCRIPTION
1	6100-880	1 EA	Illustrated Parts Breakdown
3	2600-643	1 EA	Baseplate 6050/6100 Regular
5	2600-129	1 EA	Motor Assy 1/2 HP 6100-9100
9	1215-018	2 EA	Wire Nut #71B
11	2600-568	1 EA	Pulley 8" Cast Iron AC80X5/8
13	1601-019	1 EA	Keyway 3/16"x3/16"x1"
15	2600-089	1 EA	Belt 30"
19	2600-410	1 EA	Marker Strip Silkscn Both Side
21	2600-414	1 EA	Terminal Block-2 Position
23	3129-002	1 EA	Terminal Block Cover 2 Positio
25	4001-093	1 EA	MOV Assembly 130VAC
27	2599-014	1 EA	Decal Copper Wire Only
29	2600-439	1 EA	Washer Cup - Brass
31	2599-006	1 EA	Decal SUPPLY GND
37	2600-619	1 EA	Wire Clp-5/8" Concord 770-1209
39	6100-040	1 EA	Housing Assembly 6100
	39-15 1601-032	2 EA	Bushing 1 1/2OD x1 1/4ID x 5/8L
	39-20 2600-032	2 EA	Spiral Pin - 3/16" D x 1" L SS
	39-25 2600-049	2 EA	Bearing Brnze 3/4ODx5/8IDx3/4L
	39-30 2600-084	2 EA	Bearing - Thrust 5/8 ID
	39-35 2600-287	1 EA	Worm 2 Shoulder Model 6300
	39-45 2600-090	2 EA	Shim-1 1/8"ODx5/8"IDx1/16"THK
	39-50 2600-091	2 EA	Shim-1 1/8"ODx5/8"IDx1/32"THK
	39-55 2600-092	2 EA	Shim-1 1/8"ODx5/8"IDx1/64"THK
	39-60 2600-166	1 EA	Shaft Cross Keyed 6100
	39-65 2600-178	1 EA	Grease Fitting-(Zerk Fitting)
41	2600-613	1 EA	Bracket Magnetic Ctr Potted
43	3004-010	1 EA	Magnetic Counter Threaded
45	3004-051	2 EA	Nut Panel 1/4 x 18
47	2600-061	1 EA	Collar 2"OD x 1 1/4"ID x 5/8"L
49	2600-779	1 EA	Swing Crank Arm Extended
57	2600-675	1 EA	Shaft Assembly 6050/6100
59	2630-010	1 EA	Snap Ring 1.25"
61	2600-360	1 EA	Counter Wheel Mag Assembly
63	2600-680	2 EA	Clutch Plate 7"
65	2801-002	2 EA	Clutch Pad 7" OD605/610,6100
67	2600-323	1 EA	Worm Gear 80 Tooth Delrin
71	2600-668	1 EA	Bracket 6050/6100 PCB Support
72	2600-638	1 EA	Bracket Radio 610 Battery Bkup
73	2600-533	1 EA	Switch Cover Dooring Lockable
75	2600-731	1 EA	Gasket Switch Cover
77	1506-071	1 EA	Tone Generator Loud
79	1812-005	1 EA	Switch Push Button N.O.
81	1601-041	1 EA	Switch Toggle SPST 2POS
83	2599-008	1 EA	Label Patent
87	2600-820	7 EA	Bushing 1/2
89	2600-875	1 EA	Capacitor Mounting Clamp
91	2600-102	1 EA	Capacitor 50uf 370VAC
95	4502-010	1 EA	PCB Gate Operator
97	4001-020	1 EA	Terminal 20 Pin
99	2600-830	1 EA	Jumper- Ring Tongue

ITEM	PART #	QTY	DESCRIPTION
111	2600-721	1 EA	Cover-Model 6050/6100
113	2600-732	1 EA	Nameplate Plastic DKS Big
115	2802-040	2 EA	Washer Push on Clamp
116	1897-050	2 EA	Gasket Support Thick 1/16"
117	1702-507	1 EA	Cam "J" Hook
119	4001-035	1 EA	Lock w/Key 16120
121	2600-720	1 EA	Crank Arm Joint Assembly Blk
121-1	2600-507	1 EA	Connector Arm Clamp Plated Blk
121-2	2600-506	1 EA	Flange Bracket Plated Blk
121-3	2600-856	1 EA	Bearing Bronze 7/8ODx5/8IDx1/2
121-4	2616-100	6 EA	Set Screw Stnls 3/8-16 x 1/2
121-5	2620-022	3 EA	Washer 5/8" USS
121-6	2620-350	1 EA	Nut Center Lock 5/8-11
121-7	2905-065	1 EA	Screw Phillips Head 1/4-20x1/2
123	6500-220	2 EA	Joint Cover Swinger
127	2600-711	1 EA	Bracket 3/16 x 2 x 12
131	2599-034	1 EA	Label Gate Operator
133	2599-199	2 EA	Label Universal
140	2615-052	2 EA	Bolt Hex Head 3/8-16 x 1
141	2615-055	5 EA	Bolt Hex Head 3/8-16 x 1 1/2
142	2615-008	1 EA	Bolt Hex Head 1/4x20x1.5"
150	2616-019	4 EA	Screw Phillips Head 8-32 x 3/4
151	2616-018	3 EA	Screw Phillips Head 8-32 x 1/2
153	2616-001	2 EA	Screw Phillips Head 6-32 x 3/8
155	2616-052	6 EA	Screw Phillips Head 10-32 x 1/2
156	2616-001	5 EA	Screw Phillips Head 6-32 x 3/8
158	2616-003	2 EA	Screw Phillips Head 6-32x3/4SS
160	2620-220	2 EA	Washer 1.25x2.25 x 0.05
161	2620-131	2 EA	Washer 1 7/8"ODx1/2"ID 1/8 T
162	2802-003	2 EA	Washer #8 SAE
163	2600-183	4 EA	Washer Bellville 1.5"ODx.5"ID
164	2620-021	2 EA	Washer 1/2 " SAE
166	2620-019	4 EA	Washer 3/8" SAE
170	2620-010	2 EA	Washer #10 SAE
180	2620-411	6 EA	Nut Hex Flange Lock 5/16-18
181	2620-409	1 EA	Nut Hex Flange Lock 1/4-20
182	2620-320	1 EA	Nut Center Lock 1/2-13
183	2620-420	2 EA	Nut Hex 1/2-13
185	2620-405	4 EA	Nut Hex 3/8-16
186	2620-401	1 EA	Nut Hex 8-32
200	1804-031	10 EA	Tie Wrap 4"
201	2600-698	1 EA	Wire Set Model 6050,6100,6300
205	7082-137	1 EA	Wire 5" Green Stranded 14AWG
209	2599-100	2 EA	Sign Warning
210	6100-065	1 EA	Manual Installation
211	9200-190	1 EA	Resistor Kit UL325