

# HANDSET KIT

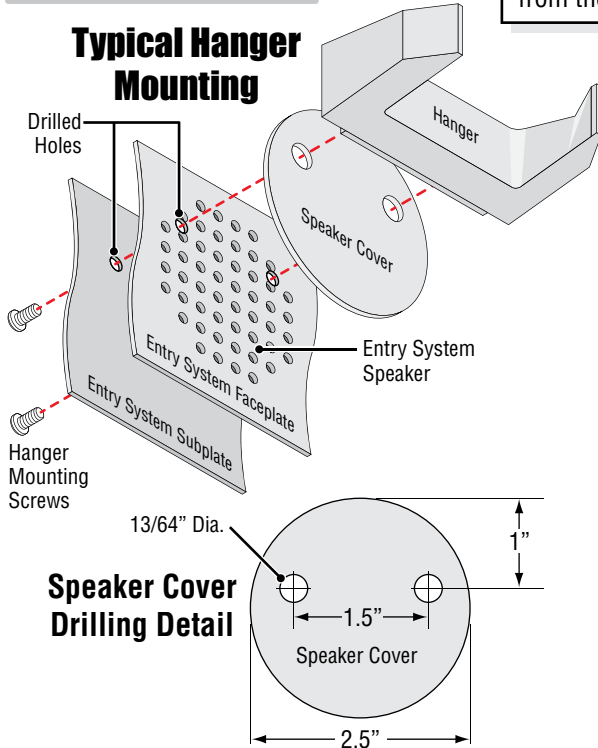
DoorKing Part Number  
**1807-012**

This kit is designed to convert 1802, 1810, 1833, 1834 and 1835 DoorKing entry systems from a hands-free system to a hand-set system (NOT recommended for the 1837 system). Kit includes: Handset with Cord (P/N 1807-006), Hanger (P/N 1807-007), Speaker Cover (P/N 1807-009) and Handset Cord Adapter (P/N 1807-008).

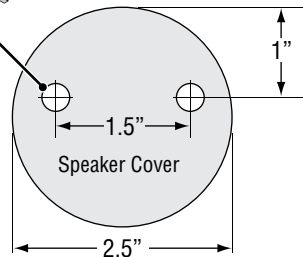
## Installation

**Important:** The handset **MUST** be protected from the elements when using outdoors.

### Typical Hanger Mounting

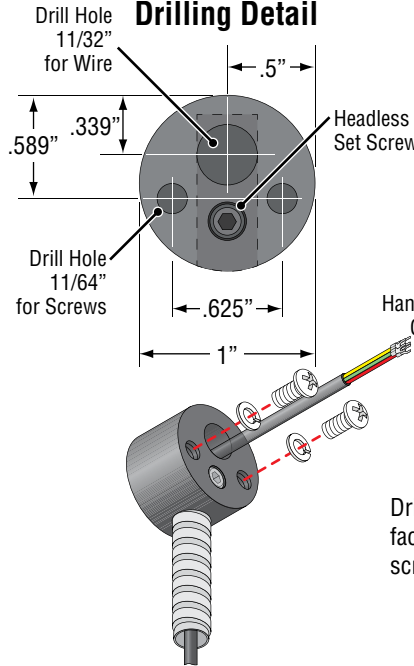


### Speaker Cover Drilling Detail

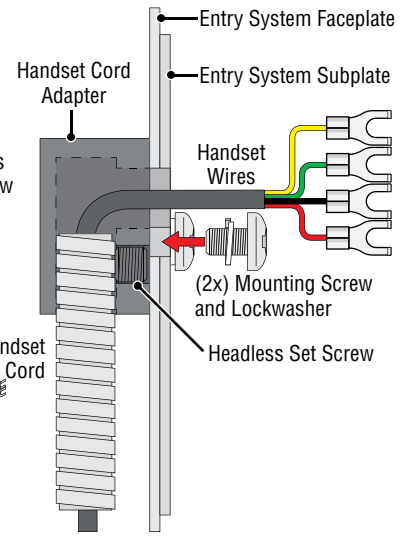


Drill two 13/64" holes through entry system faceplate and subplate for hanger mounting screws. Internal speaker can be removed from entry system when necessary. See specific hanger and handset cord adapter mounting positions on different model entry systems shown below.

### Handset Cord Adapter Drilling Detail



### Typical Handset Cord FRONT Attachment (Flush Mount ONLY)

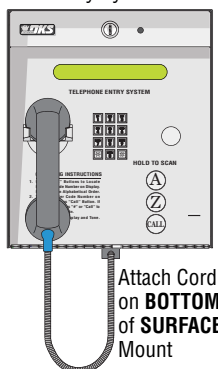


Drill three holes through entry system faceplate and subplate for mounting screws and to feed wires into entry system.

## 1802, 1810, 1833, 1834 and 1835 Telephone Entry Systems Handset and Cord Positions

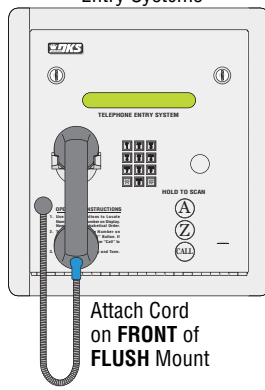
Mount speaker cover with hanger over entry system speaker, speaker position will vary on different model entry systems.

Typical **SURFACE** Mount Entry Systems



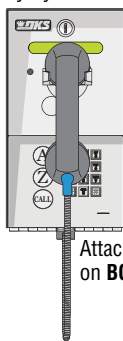
Attach Cord on **BOTTOM** of **SURFACE** Mount

Typical **FLUSH** Mount Entry Systems

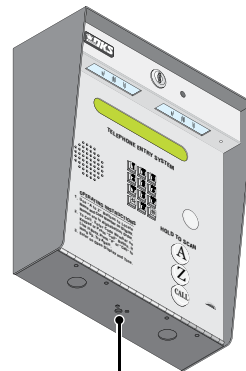


Attach Cord on **FRONT** of **FLUSH** Mount

1802 **SURFACE** Mount Entry System **ONLY**

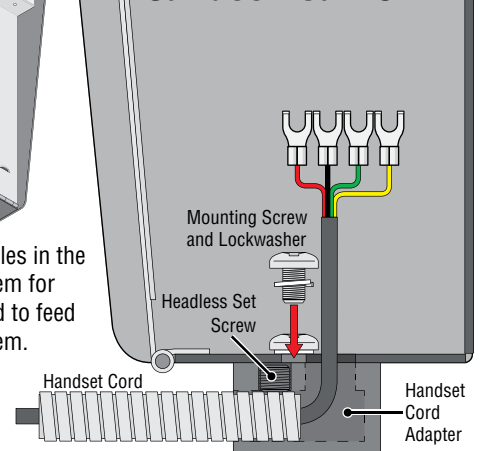


Attach Cord on **BOTTOM**



Use existing three holes in the bottom of entry system for mounting screws and to feed wires into entry system.

### Typical Handset Cord BOTTOM Attachment (Surface Mount ONLY)

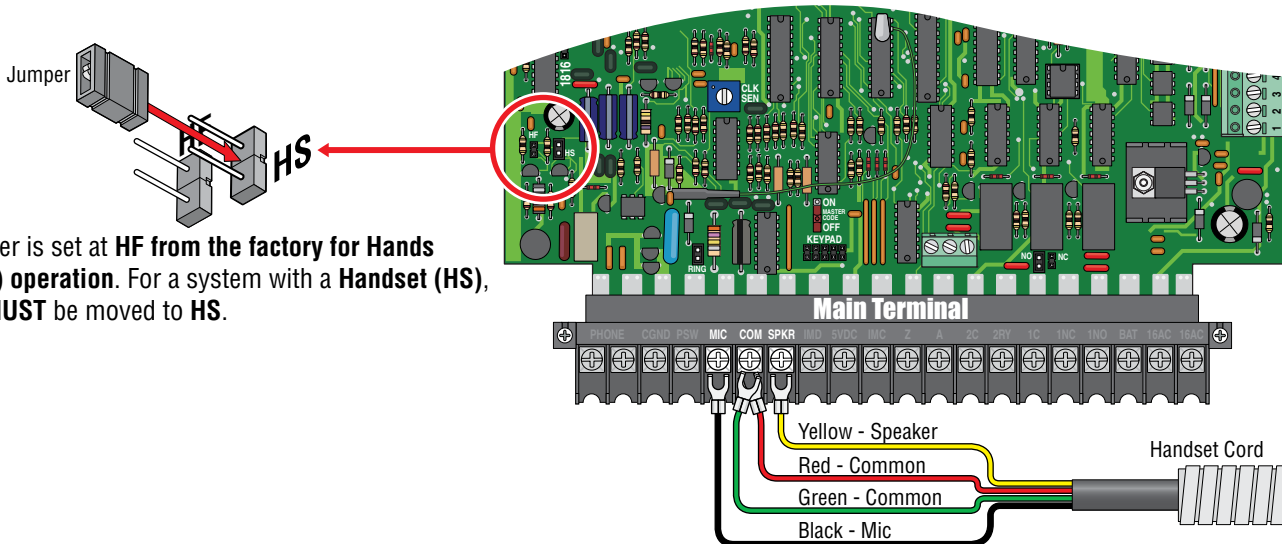


**1810 Note:** Handset only works on the 1810 Entry system and **NOT** on the 1810 Access Plus system.

# Wiring and Jumper Setting

DoorKing Part Number  
**1807-012**

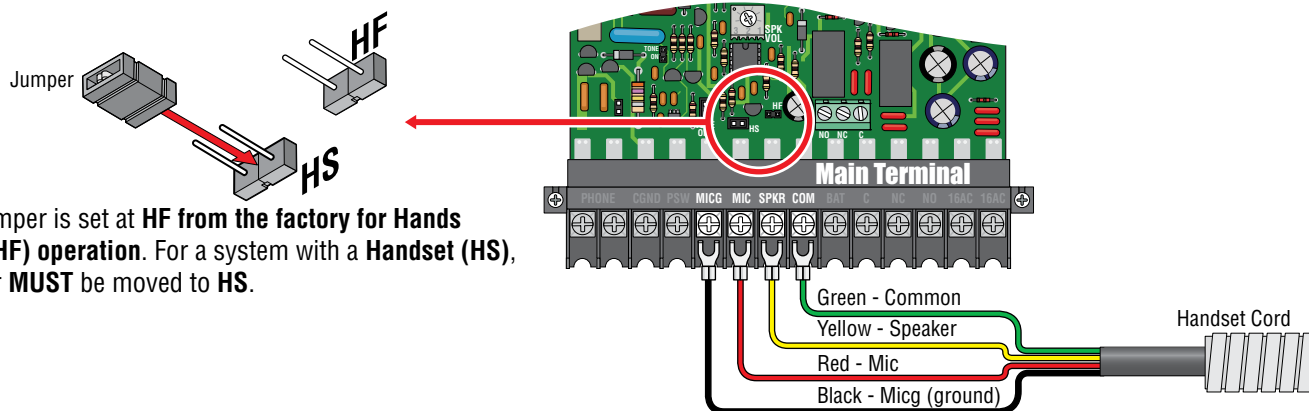
## 1833, 1834 and 1835 Telephone Entry Systems



The jumper is set at **HF** from the factory for Hands Free (HF) operation. For a system with a Handset (HS), jumper **MUST** be moved to HS.

Remove the existing microphone and speaker wires from main terminal before wiring handset to entry system.

## 1802 and 1810 Telephone Entry Systems



The jumper is set at **HF** from the factory for Hands Free (HF) operation. For a system with a Handset (HS), jumper **MUST** be moved to HS.

Remove the existing microphone and speaker wires from main terminal before wiring handset to entry system.