



# TELEPHONE ENTRY CELLULAR CONNECTION



**A sustainable wireless solution for connecting managers and users to access control systems**

- Voice and data programming over a cellular connection. Program from the DKS Cloud (requires DKS connection service subscription) with your laptop or tablet or from your dedicated PC using the Desktop Account Manager software (free download at [doorking.com/software](http://doorking.com/software)).
- Easy setup by activating AT&T 4G LTE cellular service
- Easy to install - no trenching, no wiring
- Turn remote locations into serviceable sites
- Backwards compatible with older DKS Telephone Entry systems
- Cell line can be split for guard tower /dual entry



### Wide Coverage

Once installed, the 1800 Series Entry Systems use a 4G LTE\* cellular connection for voice communication, instead of the traditional copper phone line.

\*Where available in the United States



### Saves Money

The monthly fee of this upgraded, sustainable Cellular Connection is typically less than the cost of a business telephone line.



### Voice and Data Connection

Provides voice and PC or Cloud programming for 1830 Series and Access Plus systems over the cellular connection.



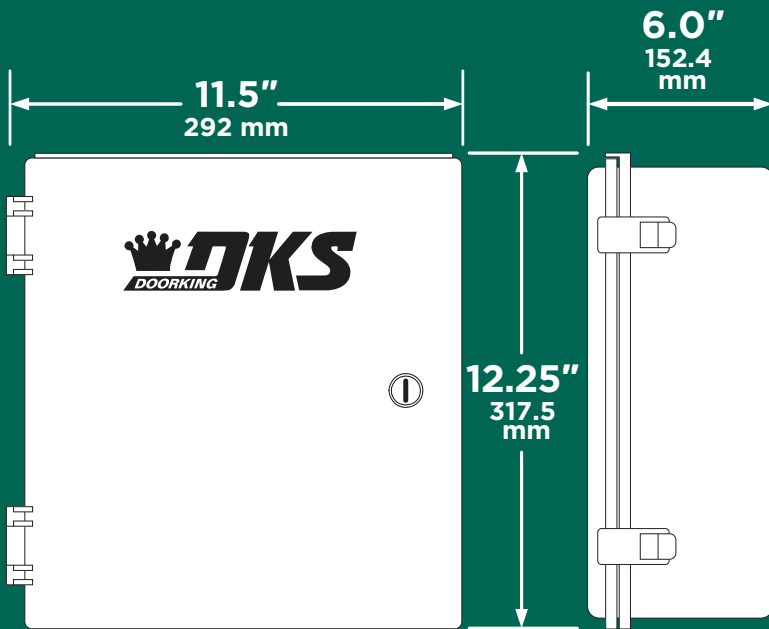
### The Versatile Solution

Choose a cellular connection for access devices in remote locations, or install a Retrofit Cellular Kit to upgrade entry systems from an old POTS connection.

**ACCESS CONTROL SOLUTIONS**



# TELEPHONE ENTRY CELLULAR CONNECTION



## Voice + Data 1800-080/1800-081

MODEL	1800-080	1800-081
ENTRY SYSTEMS	up to 2 1830 series systems	up to 2 Access Plus systems
AT&T 4G LTE	Yes	Yes
CELLULAR SERVICE	Voice & Data	Voice & Data
FOR USE WITH DKS ENTRY SYSTEMS	1833, 1834, 1835, 1837, 1838	1802AP, 1808AP, 1810AP, 1812AP, 1838AP, 1802, 1803, 1808, 1810, 1812
POWER	16 VAC input	16 VAC input

## TECHNICAL FEATURES

### VOICE & DATA (PROGRAMMING)

Models 1800-080 and 1800-081 are a fully capable cellular interface that provides both voice communication and programming via the AT&T 4G-LTE Cellular network.

DKS Cellular service will “push” the programming data directly from the browser based DKS Cloud Account Manager (or from a dedicated computer through the desktop Remote Account Manager software) to the entry system via the cellular network.

Use the 1800-080 with the following DoorKing entry systems: 1833, 1834, 1835, 1837, 1838.

Use the 1800-081 with the following DoorKing entry systems: 1802AP, 1808AP, 1810AP, 1812AP, 1838AP, 1802, 1803, 1808, 1810, 1812.

### AT&T 4G LTE NETWORK

Both cellular models operate on the AT&T 4G-LTE cellular network (where available).

A monthly subscription fee applies, just like your cell phone. DKS Cellular service provides very competitive monthly rates for your cellular service.

DKS Cellular service is available in all states including Alaska and Hawaii. It is also available in Puerto Rico, U.S. Territories, Canada and Mexico.

DKS Cellular service is not available in other countries.

Check the doorking website for a link to find AT&T coverage at your location: [doorking.com/cellular](http://doorking.com/cellular)

### ELECTRICAL

16 VAC input power (transformer provided).

### MISCELLANEOUS

Environmental: 10°F to 145°F (-12°C to 62°C)

### SHIPPING WEIGHT

Voice + Data (1800-080, 1800-081) approximately 10 Lbs (4.5 kg)



FCC (US) DUF6VT-12874-OT-T  
DOC (CAN) 1736 4528 A

AT&T, the AT&T logo and all other AT&T marks contained herein are trademarks of AT&T Intellectual Property and/or AT&T affiliated companies.

## DoorKing® Inc.

Access Control Solutions since 1948



120 S. Glasgow Avenue,  
Inglewood, California 90301 U.S.A.  
Tel: 310-645-0023 FAX: 310-641-1586  
[www.doorking.com](http://www.doorking.com)

© 2024 All Rights Reserved.  
Product specifications may  
change without notice. Rev. 4/24



### MEMBER:



### DISTRIBUTED BY:

