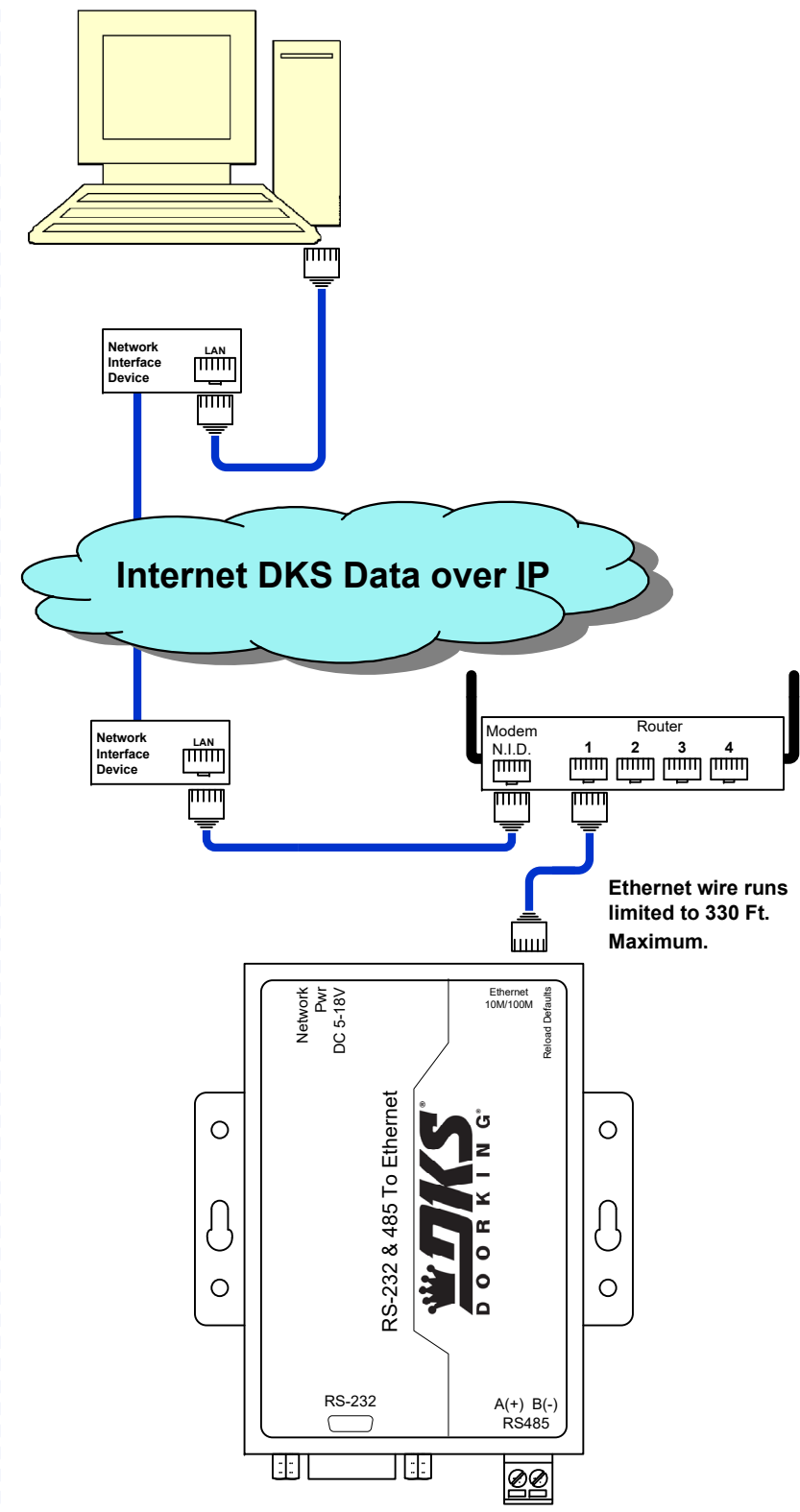


# WIRING FOR 1830-186 TCP/IP Server Mode to RS-232 CONVERTER KIT



## Connection via INTERNET



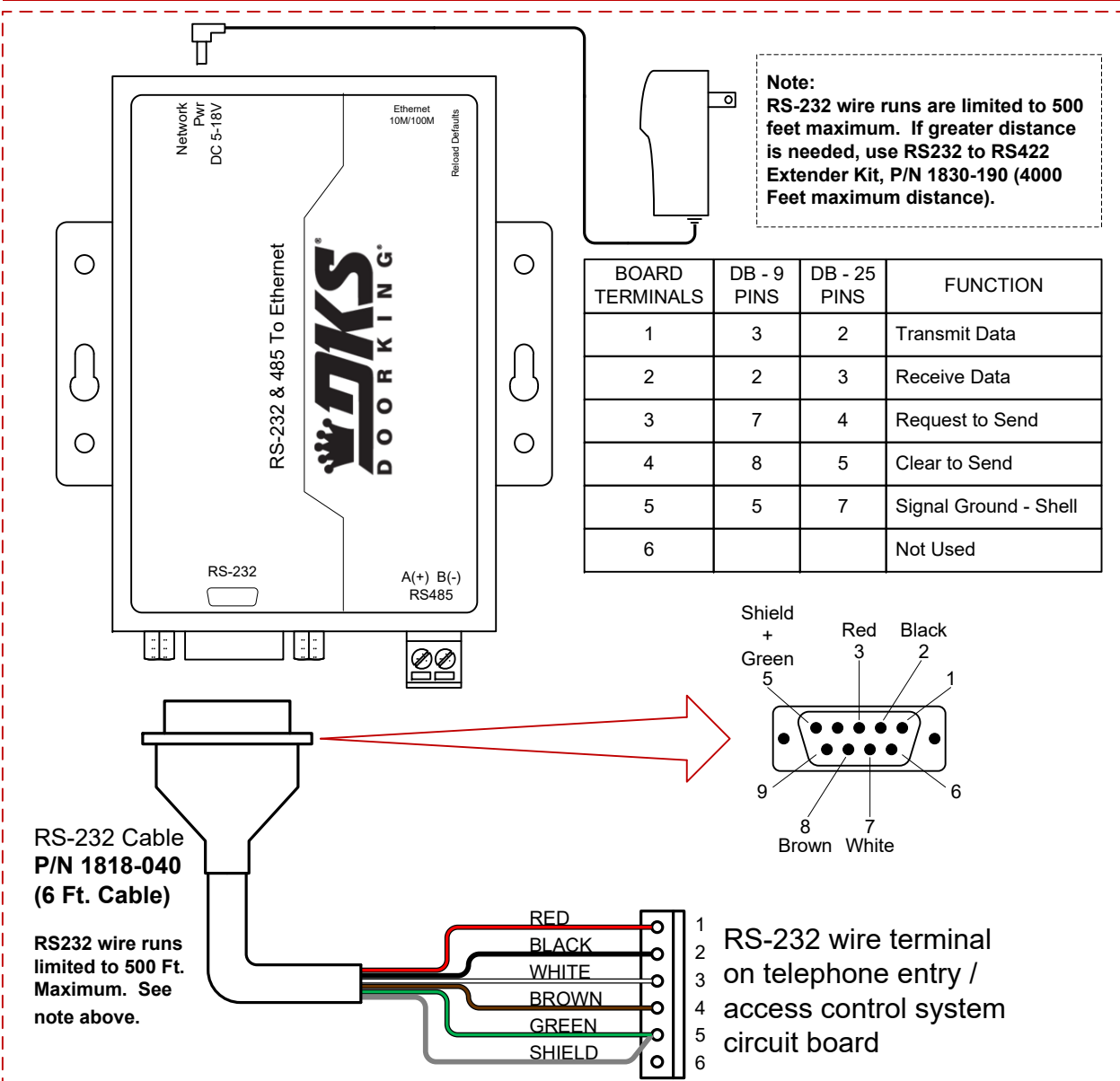
## General Information

Use these instructions when using the TCP/IP adapter, part number 1830-186. This is a Plug and Play device (no manual setup required) and uses the DKS Data subscription service. For manual setup (no subscription required), use TCP/IP adapter part number 1830-185.  
**NOTE: THIS DEVICE IS NOT COMPATIBLE WITH CELLULAR NETWORKS.**

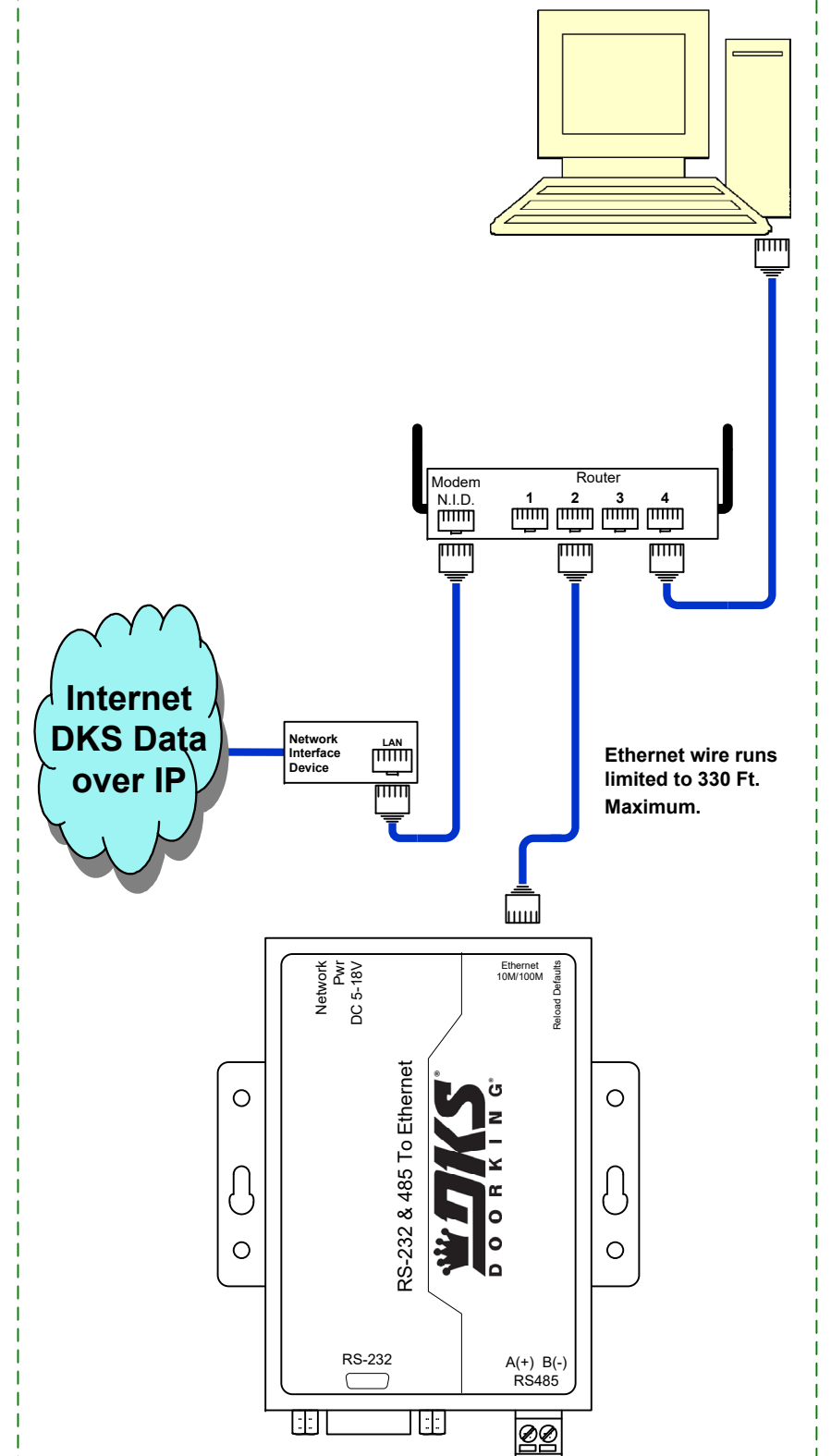
You can use the 1830-186 Converter Kit with the following DKS Systems:  
 1833, 1834, 1835, 1837, 1838 with REV Z board (or higher).

**16.5 VAC power is required at the Aux Terminal pins 1 and 2 in the 1830 Series controller:**  
 Refer to these manuals for detailed 1830 Series wiring information:  
 P/N 1834-065 or P/N 1835-065 Telephone Entry Systems Installation Manual  
 P/N 1838-065 Access Controller Installation Manual

## Connect Converter to 1830 Series Circuit Board RS-232 Terminals



## Connection via LAN



# Programming Instructions when using the 1830-186 Plug & Play TCP/IP Converter Kit

## At the Programming Computer (PC Only)

**1** Install the Remote Account Manager software version 6.3.i on the programming PC and register the software by following the on screen instructions.

**2** Choose **IM / DKS VoIP** to register for a Data over IP or VoIP Voice + Data subscription.

**3** Complete the required contact information and then click Register.

**4** Select the first choice.

## Setup the 1830 Series Entry System for Data over IP

**1** In Service Type, choose Data over IP.

**2** A 10 digit ID number will be generated for you.

**3** Enter the system Master Code.  
(The Master Code can only be programmed at the entry system. Enter that Master Code here).

## Setup an Account in the Remote Account Manager Software 6.3.i

**1** Connection Option, choose Data over IP.

**2** Enter the 10 digit ID number that was generated for you.

**3** Enter the system Master Code that was set at the entry system.

## Program the 10-Digit Telephone Number / System ID at the Entry System

Program the 10 Digit ID Number at the entry system keypad:

- \* 5 9 \_\_\_\_ (Master Code) (beep).
- Enter the 10 Digit ID Number \_\_\_\_\_ then press \* (beep).
- Press 0 # together to exit the programming sequence (beeeeeep).

To test the connection at the entry system:

- \* 2 9 \_\_\_\_ (Master Code). The system will respond with:  
1 beep – display reads “System is Registered” You’re Done!
- 2 beeps – display reads “Check Registration” Communication to the server is good, but check below for errors.

## Summary

Server Registration	System Information (software)	System (hardware)
<b>1</b> Service Type	Must Match	<b>1</b> Connection Option
<b>2</b> System ID	Must Match	<b>2</b> System ID
<b>3</b> Master Code	Must Match	<b>3</b> Master Code