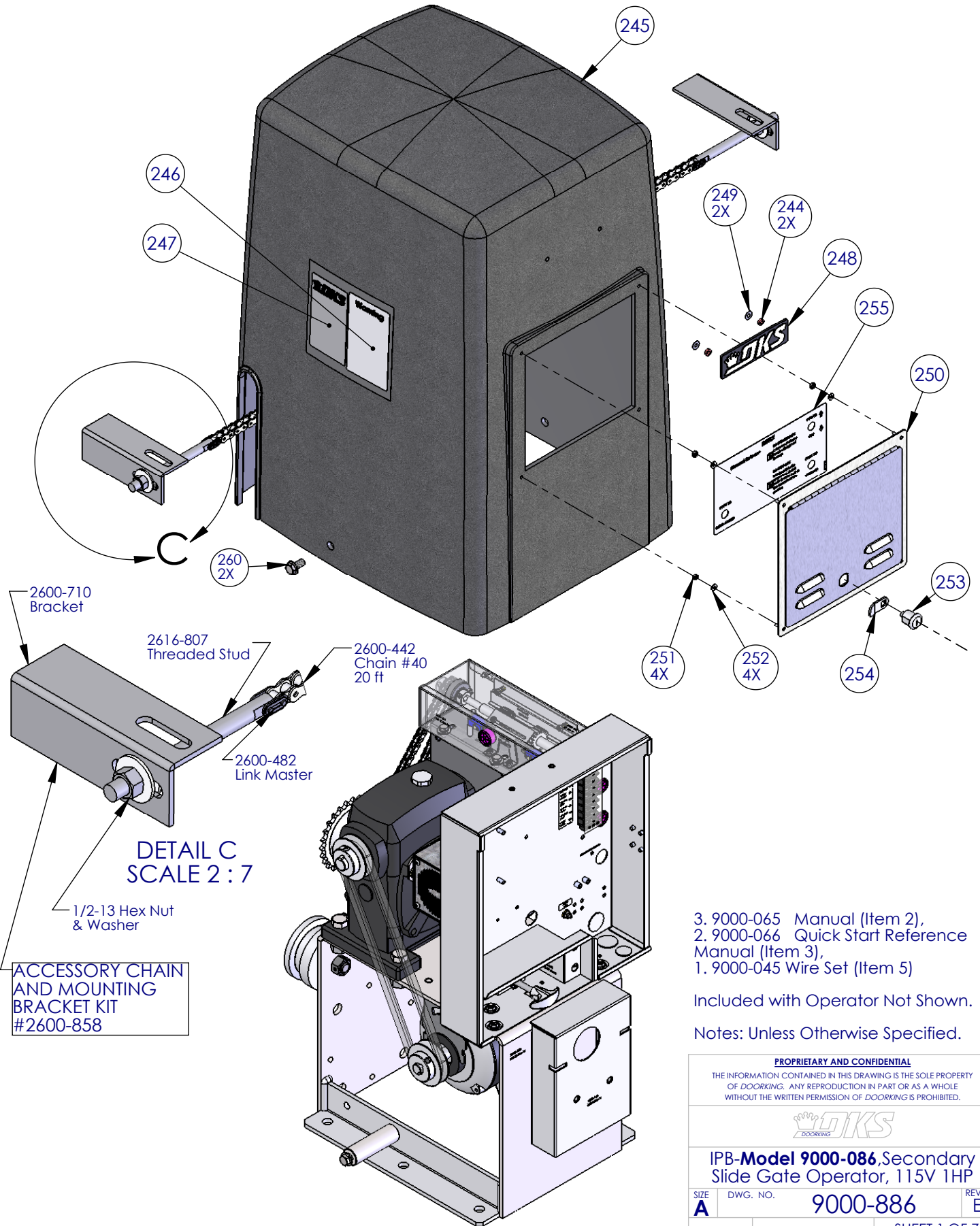


REVISIONS

REV	DESCRIPTION	DATE	BY
C	Remove 2601-177 Bkt Right Pivot Release, 2601-178 Bkt Left Pivot Release, 2601-181 Spacer, 2615-012 Bolt Hex 1/4-20 x 2 1/2", 2620-409 Nut Hex Flange Lock 1/4-20, 9350-120 Lever Release; Add 2601-175 Bkt Pivot Release, 2601-353 Clevis Pin, 9000-123 Lever Release, 9000-125 Release Lever Block, 9350-152 Base Limit Stand, 2615-153 (2) Bolt Hex, 2620-028 Washer (2), 2620-411 (2) Nut, 2601-348 Spacer Left Cover, two 2620-047 Lock Washer, two 2615-128 Bolt 3/8-16 x 3/4", 2601-349 Spacer Right Cover.	9/4/12	DC
D	Remove 2601-235 Gearbox, 2601-110 30" V-Belt, (4) 2615-055 Bolt 3/8-16 x 1 1/2", (4) 2620-405 Nut Hex 3/8-16, (4) 2620-047 Lockwasher, 2601-175 Bkt Pivot Release, (2) 2615-576 Bolt Hex 8mm x 30, (2) 2620-053 Lockwasher 5/16, 9000-123 Lever Release, Add 2601-236 Gearbox, 2601-112 32" V-Belt, (4) 2615-192 Bolt Hex 9/16-12 x 1 3/4", (4) 2620-425 Nut Hex 9/16-12, (4) 2620-051 Lock-washer 9/16", 2601-176 Bkt Pivot Release, (2) 2615-580 Bolt Hex 10mm x 30, (2) 2620-048 Lockwasher 7/16", 9000-121 Lever Release.	1/2/13	DC
E	Corrected Micro Switch Part Number was 2601-240 is 1804-024	12/13/13	DC



- 3. 9000-065 Manual (Item 2),
- 2. 9000-066 Quick Start Reference Manual (Item 3),
- 1. 9000-045 Wire Set (Item 5)

Included with Operator Not Shown.

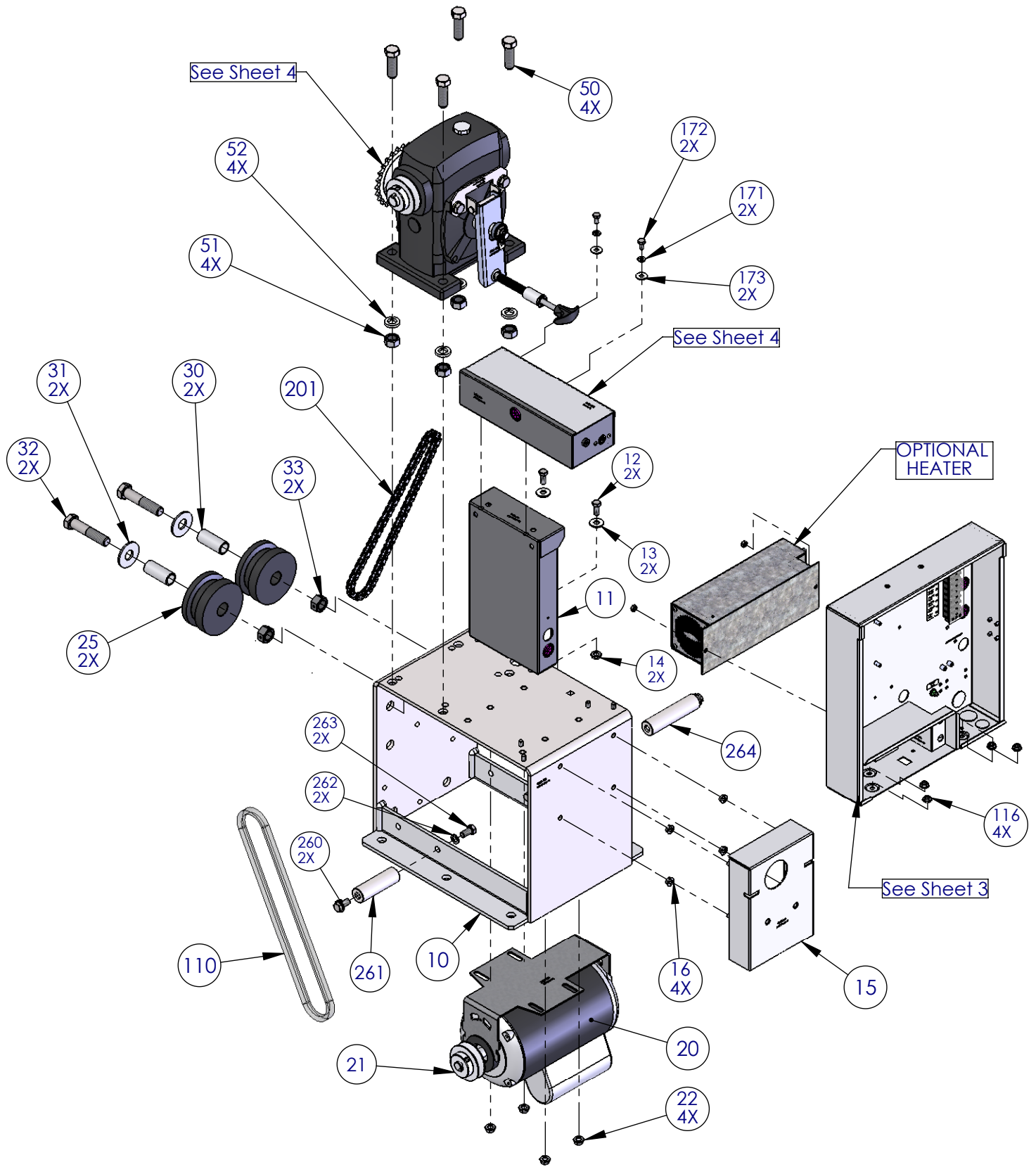
Notes: Unless Otherwise Specified.

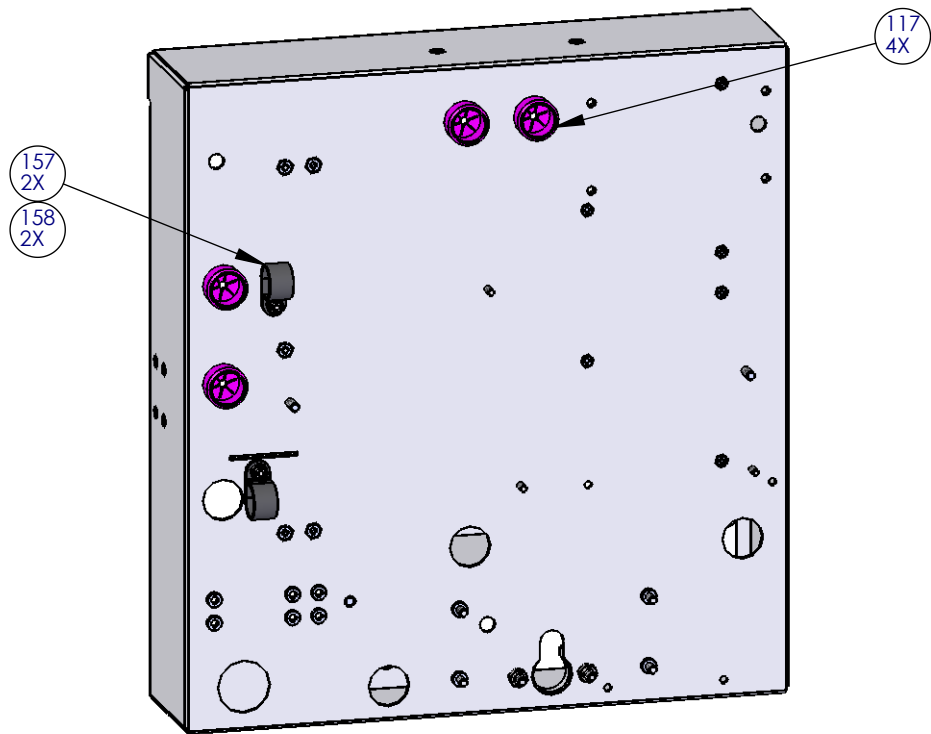
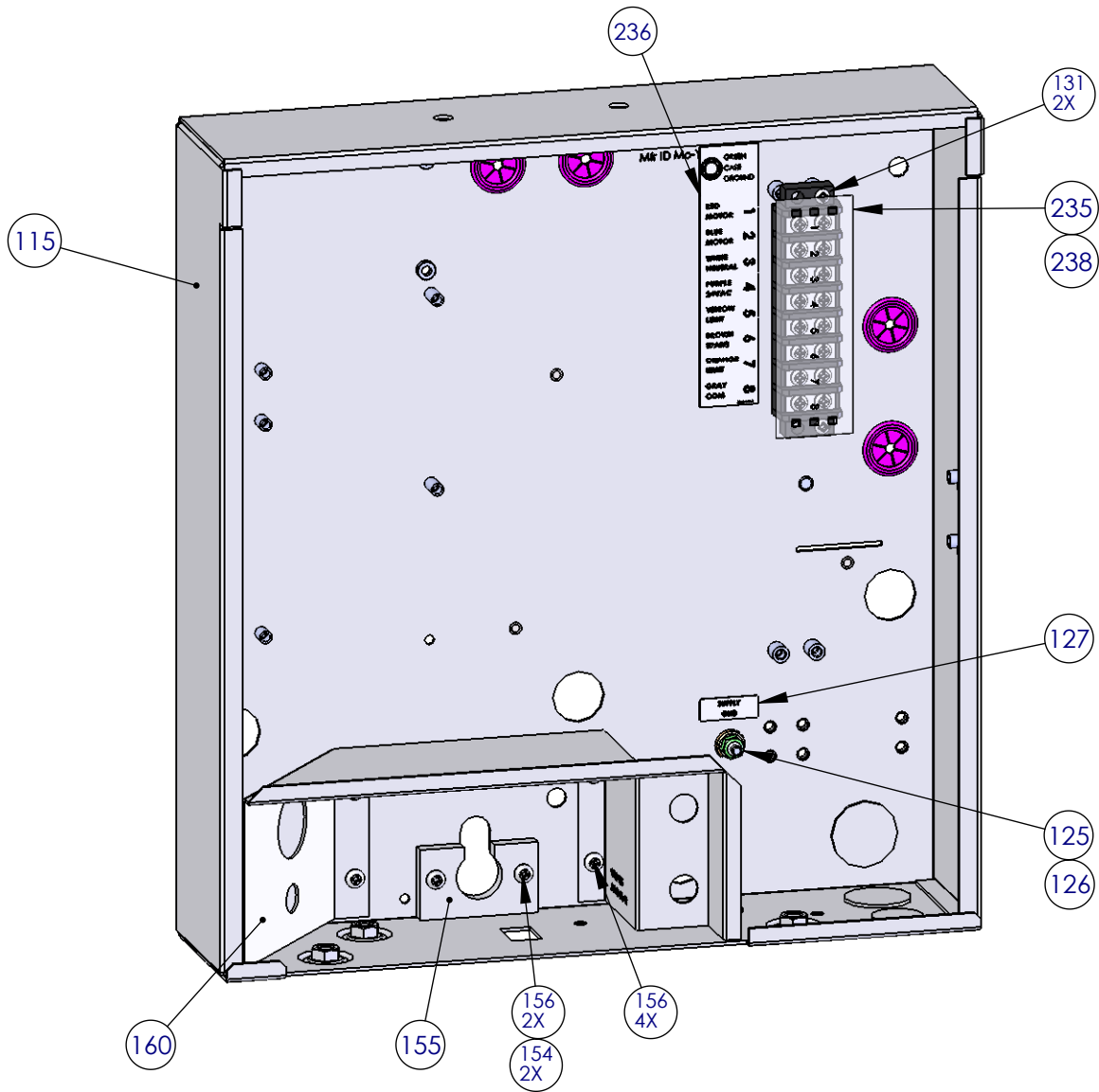
PROPRIETARY AND CONFIDENTIAL
 THE INFORMATION CONTAINED IN THIS DRAWING IS THE SOLE PROPERTY OF DOOR-KING. ANY REPRODUCTION IN PART OR AS A WHOLE WITHOUT THE WRITTEN PERMISSION OF DOOR-KING IS PROHIBITED.



IPB-Model 9000-086, Secondary Slide Gate Operator, 115V 1HP

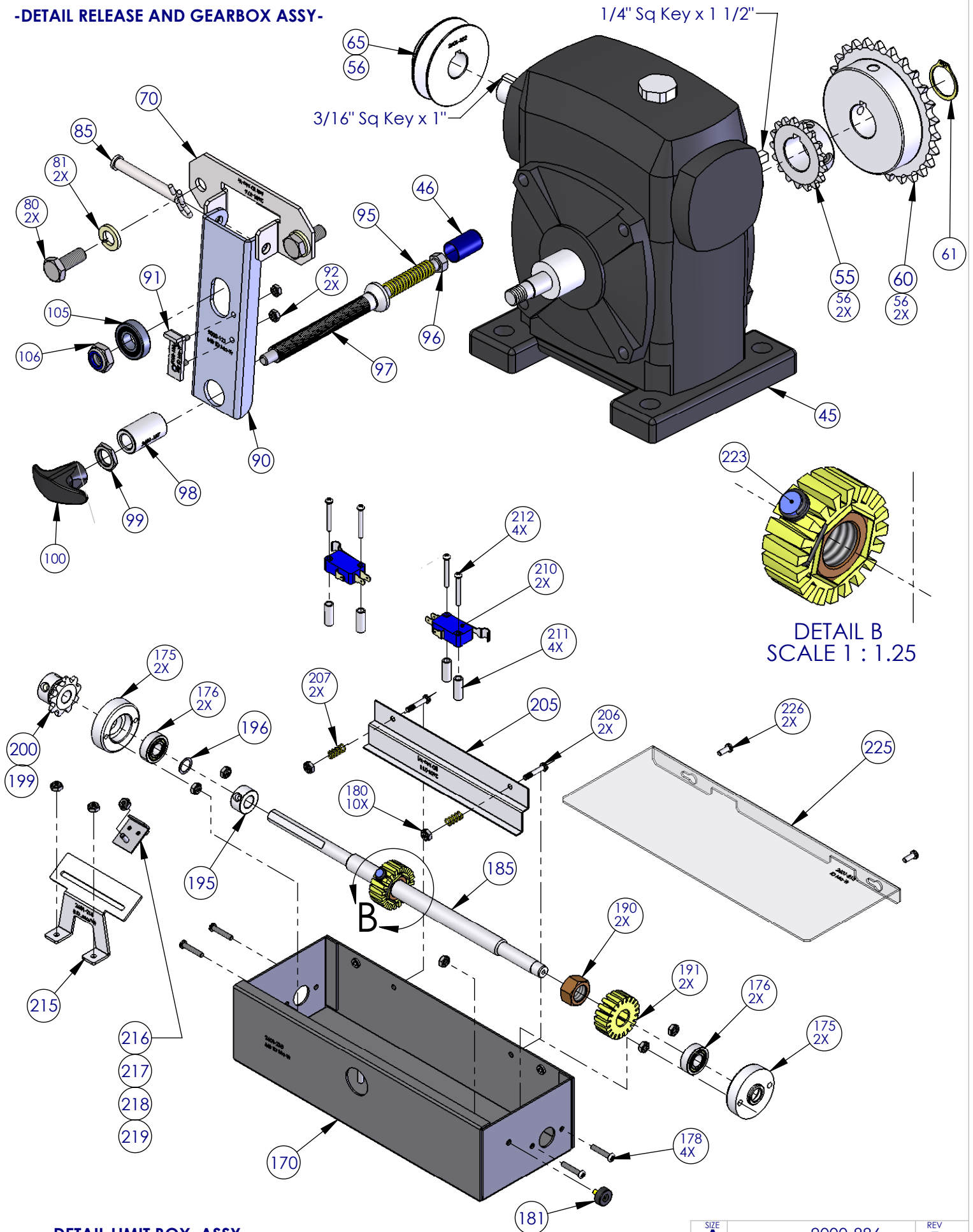
SIZE A	DWG. NO. 9000-886	REV. E
Scale: None		SHEET 1 OF 7





ITEM 165 LEXAN COVER
NOT SHOWN FOR CLARITY

-DETAIL RELEASE AND GEARBOX ASSY-



DETAIL B
SCALE 1 : 1.25

-DETAIL LIMIT BOX ASSY-

SIZE A	DWG. NO.	9000-886	REV E
Scale: None	SHEET 4 OF 7		

Item	Part Number	Qty	Description	Revision
1	9000-886	1 EA	IPB 9000-086	D
2	9000-065	1 EA	Manual Installation Slide Gate	
3	9000-066	1 EA	Manual Install Quick Start	
5	9000-043	1 EA	Wire Set 9000 Primary	
10	9350-150	1 EA	Base Stand Slider	
11	9350-152	1 EA	Base Limit Stand	
12	2615-153	2 EA	Bolt Hex 5-16 x 3/4"	
13	2620-028	2 EA	Washer 5/16"	
14	2620-411	2 EA	5/16-18 Hex Nut Flange Lock	
15	9350-140	1 EA	Panel Lock Cover	
16	2620-409	4 EA	Nut Hex Flange Lock 1/4-20	
20	2601-237	1 EA	Motor 1 H.P. Emerson K55BXKTM	
21	2601-183	1 EA	Pulley 2 1/2 Dia x 5/8 Shaft	
22	2620-411	4 EA	Nut Hex Flange Lock 5/16-18	
25	2601-222	2 EA	Idler Wheel UHMW	
30	2601-224	2 EA	Spacer Idler Model 9000	
31	2620-022	2 EA	Washer 5/8" USS	
32	2615-040	2 EA	Bolt Hex Head 5/8-11x3 "	
33	2620-350	2 EA	Nut Center Lock 5/8-11	
45	2601-236	1 EA	Gearbox Clutch 9000 1HP	
46	1514-020	1 EA	Cap Plastic	
50	2615-192	4 EA	Bolt Hex Head 9/16-12 x 1 3/4"	
51	2620-425	4 EA	Nut Hex 9/16-12	
52	2620-051	4 EA	Lockwasher 9/16"	
55	2601-228	1 EA	Sprocket 17 Tooth	
56	2616-094	5 EA	Set Screw 5/16-18X1/4"	
60	2601-232	1 EA	Sprocket 26 Tooth	
61	2630-011	1 EA	Snap Ring 1"	
65	2601-182	1 EA	Pulley 2 1/2 Dia x 3/4 Shaft	
70	2601-176	1 EA	Bracket Pivot Release	
80	2615-580	2 EA	Bolt Hex Head 10mm-1.5 x30mm	
81	2620-048	2 EA	Lockwasher 7/16"	
85	2601-353	1 EA	Clevis Pin	
90	9000-121	1 EA	Lever Release 70 Gearbox	
91	9000-125	1 EA	Release Lever Block	
92	2902-003	5 EA	Nut Nylon Lock 6-32	
95	2601-207	1 EA	Spring Release Lever	
96	2615-163	1 EA	Bolt Hex Head 5/16-18 x 7"	
97	2601-185	1 EA	Shaft Threaded Pivot Release	
98	2601-187	1 EA	Collar Threaded Adjustment	
99	3004-051	1 EA	Nut Panel 1/4 x 18	
100	2601-190	1 EA	Handle Pull Plastic	

Item	Part Number	Qty	Description
105	1601-060	1 EA	Bearing-Sealed 1/2ID x 1 1/8OD
106	2620-470	1 EA	Nut Locking Jam 1/2-13
110	2601-112	1 EA	Belt 1/2" x 32"
115	9350-100	1 EA	Enclosure Model 9000
116	2620-409	4 EA	Nut Hex Flange Lock 1/4-20
117	2600-810	15 EA	Bushing 7/8 Poke Thru Flaps
125	2600-439	1 EA	Washer Cup - Brass
126	2902-010	1 EA	Nut Nylon Lock 8-32 Green
127	2599-006	2 EA	Decal Ground
128	2599-014	1 EA	Decal Copper
130	4001-020	1 EA	Terminal 20 Pin
131	2616-007	2 EA	Screw Phillips Head 6-32x5/8"
132	2902-006	2 EA	Nut Nylon Lock 10-32
154	2902-004	2 EA	Nut Nylon Lock 8-32
155	2601-193	1 EA	Cradle Plastic Release
156	2616-018	6 EA	Screw Phillips Head 8-32 x 1/2
157	2600-619	5 EA	Wire Clip-5/8" Concord 770-1209
158	2902-003	5 EA	Nut Nylon Lock 6-32
160	9350-105	1 EA	Divider Panel Enclosure
161	1506-071	1 EA	Tone Generator Loud
162	1812-005	2 EA	Switch Push Button N.O.
163	1601-041	1 EA	Switch Toggle SPST On-Off
164	2599-096	1 EA	Label Push to Operate
165	9000-005	1 EA	Cover Plastic Screened
170	2601-215	1 EA	Box Limit Switch Assy
171	2620-009	2 EA	Washer Split Lock 1/4"
172	2905-065	2 EA	Screw Phillips Head 1/4-20x1/2
173	2620-002	2 EA	Washer 1/4" USS
175	2601-130	2 EA	Holder Plastic Bearing
176	2601-171	2 EA	Bearing Sealed 3/8"IDx7/8"OD
178	2616-003	6 EA	Screw Phillips Head 6-32 x 3/4
180	2902-003	10 EA	Nut Nylon Lock 6-32
181	2601-209	1 EA	Bumper Rubber
185	2601-120	1 EA	Shaft 1/2-13 UNC Threaded
190	2620-460	2 EA	Nut Bronze 1/2-13 Thread
191	2601-125	2 EA	Nut Plastic Traveling
195	2601-189	1 EA	Collar 3/8" ID
196	2620-070	1 EA	Washer Stainless 3/8ID 1/2OD
199	2616-088	2 EA	Set Screw 1/4-20x 5/16"

Item	Part Number	Qty	Description
200	2601-226	1 EA	Sprocket 9 Tooth 35 Chain
201	2601-115	1 EA	Chain #35 x 24 3/4" w link
205	2601-211	1 EA	Bracket Limit Nut
206	2616-108	2 EA	Screw Smooth Shoulder 6-32x3/4
207	2600-857	2 EA	Spring-Compression Limits
210	1804-024	2 EA	Switch Micro
211	2900-930	4 EA	Standoff Aluminum 1/4" x11/16
212	2904-007	4 EA	Screw Round Head 4-40 x 1"
215	2601-218	1 EA	Bracket Mag Limit Switch
216	9310-301	1 EA	Bracket Partial Limit Mt. 9310
217	1601-256	1 EA	Switch Magnetic Sensor
218	2616-031	2 EA	Screw Flat Head #0-90x1/4 Slot
219	2620-399	2 EA	Nut Hex 00-90 Brass Zinc Plt
223	2601-188	1 EA	Spring Partial Limit Mag Clip
224	2600-368	1 EA	Magnet .25"dx.125"th 30DNE1608
225	2601-213	1 EA	Cover Limit Switch Box
226	2616-001	2 EA	Screw Phillips Head 6-32 x 3/8
230	2601-196	1 EA	Plate Rec'vr Timer Mount
231	2615-002	2 EA	Bolt Hex Head 1/4-20x1/2length
232	2620-009	2 EA	Washer Split Lock 1/4"
235	3130-023	1 EA	Terminal Strip 8 dual Row Scrw
236	2599-063	1 EA	Label 6500 8 Terminal Mstr-Slv
237	2616-002	6 EA	Screw Phillips Head 6-32 x 1/2
238	3129-008	1 EA	Cover 8 Terminal Block
240	2600-413	1 EA	Terminal Block-3 Position
241	2599-038	1 EA	Label Radio 9310
242	2600-810	7 EA	Bushing Knock out 7/8
244	1897-052	2 EA	Gasket
245	9350-179	1 EA	Cover Operator 9000
246	2599-199	1 EA	Label Universal
247	2599-034	1 EA	Label Gate Operator
248	2600-732	1 EA	Nameplate Plastic DKS
249	2802-040	2 EA	Washer Push on Clamp
250	9350-175	1 EA	Frame Door Access
251	2902-003	4 EA	Nut Nylon Lock 6-32
252	2802-002	4 EA	Washer #6 SAE
253	4001-035	1 EA	Lock & Key
254	1702-517	1 EA	Cam Keyed Lock w/Bend
255	2599-215	1 EA	Label - Model 9000
260	2615-262	2 EA	Bolt Whiz Lock 3/8-16 x 3/4
261	2601-348	1 EA	Spacer Left Cover
262	2620-047	2 EA	Washer Lock 3/8"
263	2615-128	2 EA	Bolt Hex 3/8-16 x 3/4"
264	2601-349	1 EA	Spacer Right Cover
265	2599-100	1 EA	Sign Warning
270	2600-858	1 EA	Accessory Box Chain