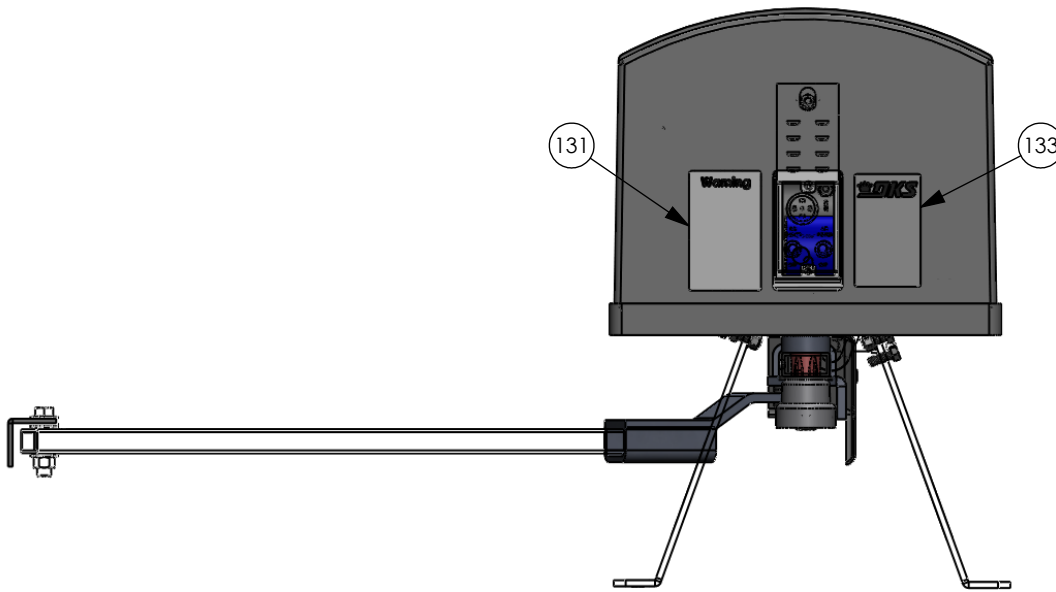
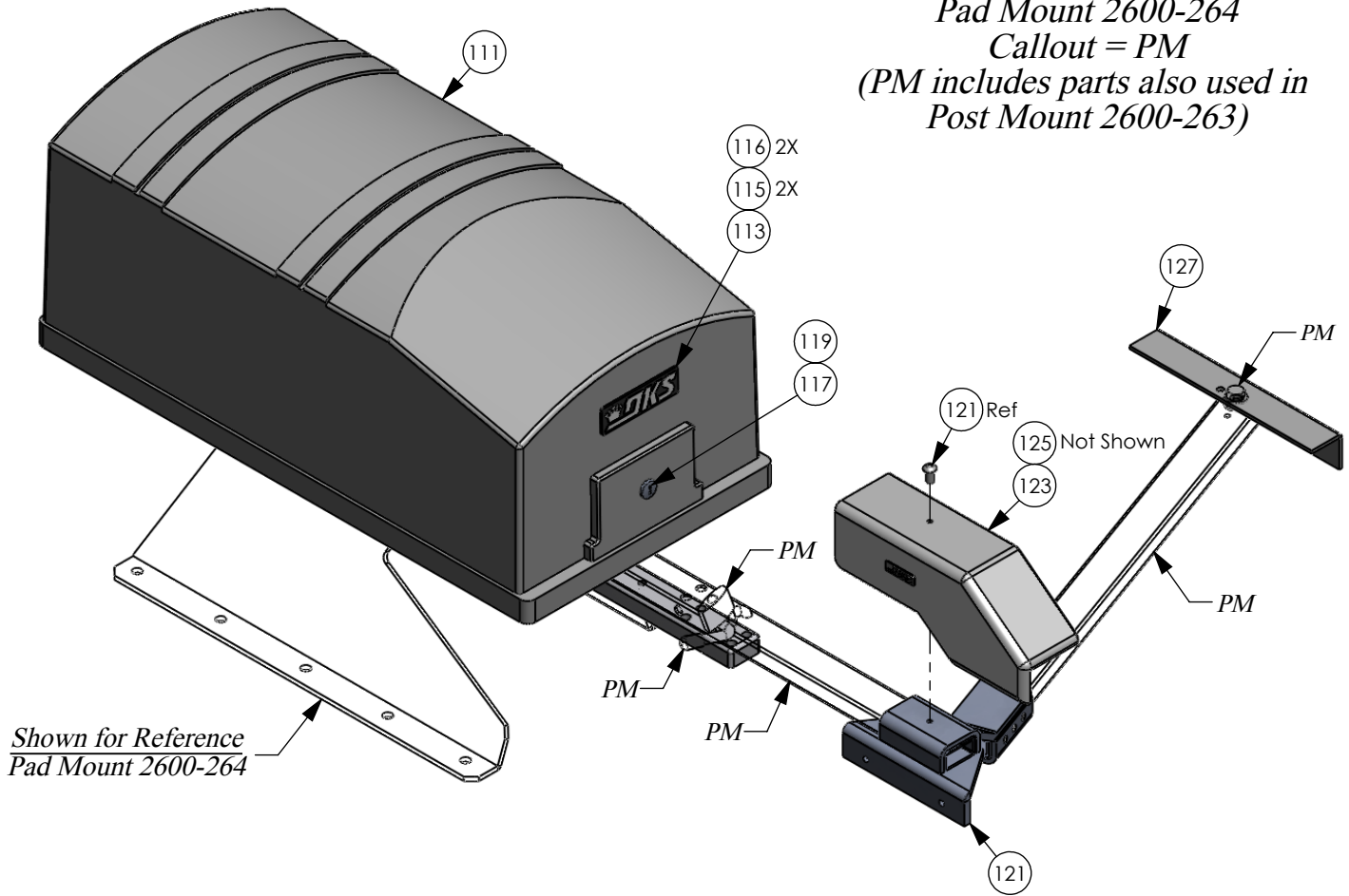


EO	REV	DESCRIPTION	Drawn	APPR
---	K	Added Item 116; Revised Items 151, 153, 180 Was: 2616-016, 2904-002, 2902-007; Deleted Items 142, 162, 166, 184 Was: 2615-870, 2802-003, 2620-019, 2620-409.	Sal 09/19/08	D.C. 09/19/08

Shown for Reference in Outline Form
Pad Mount 2600-264
Callout = PM
(PM includes parts also used in
Post Mount 2600-263)



2. Items 200-211 Not Shown for Clarity.

1. See attached reference sheet for BOM;
Reference Movex 6300-086 Rev K.

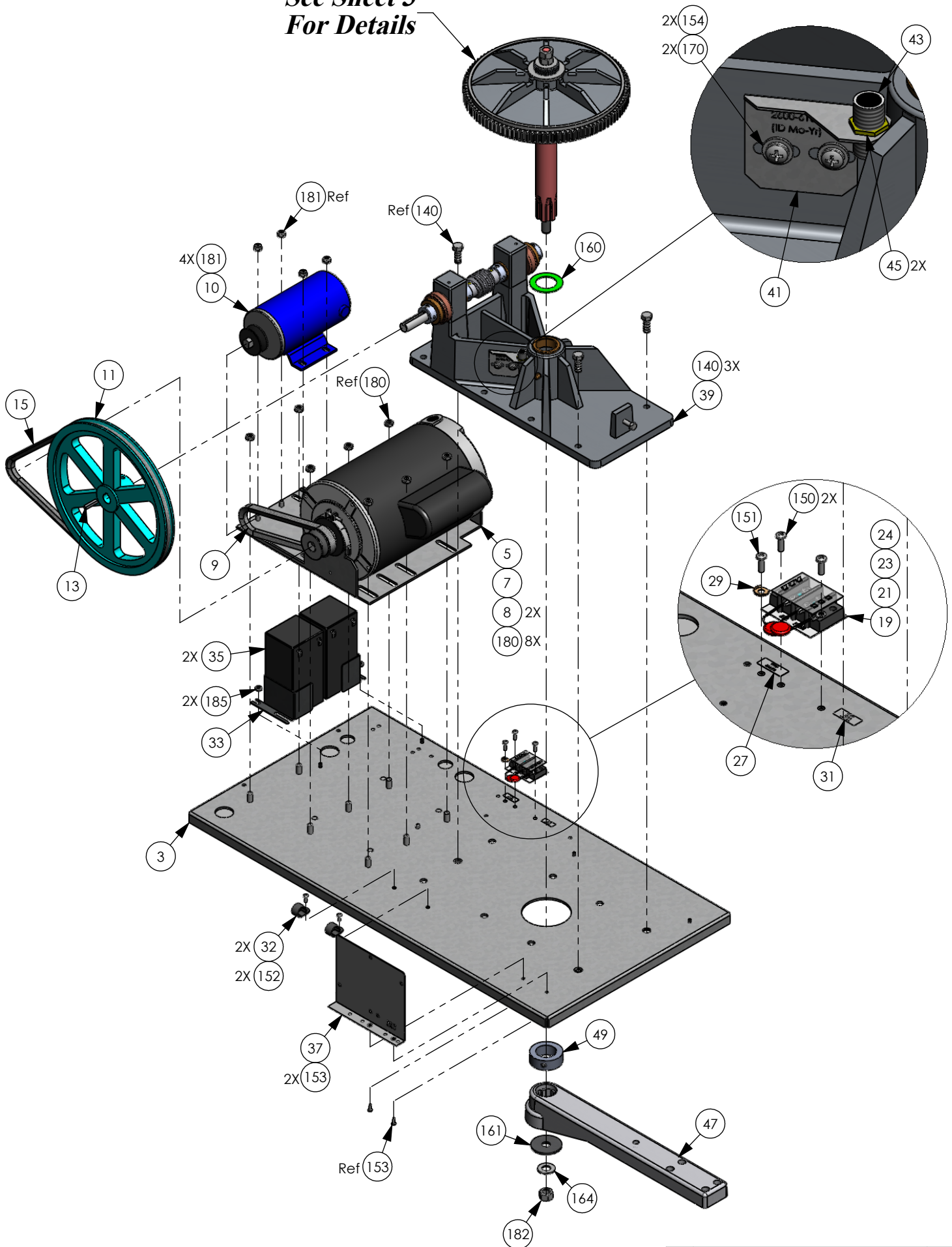
Notes: Unless Otherwise Specified.

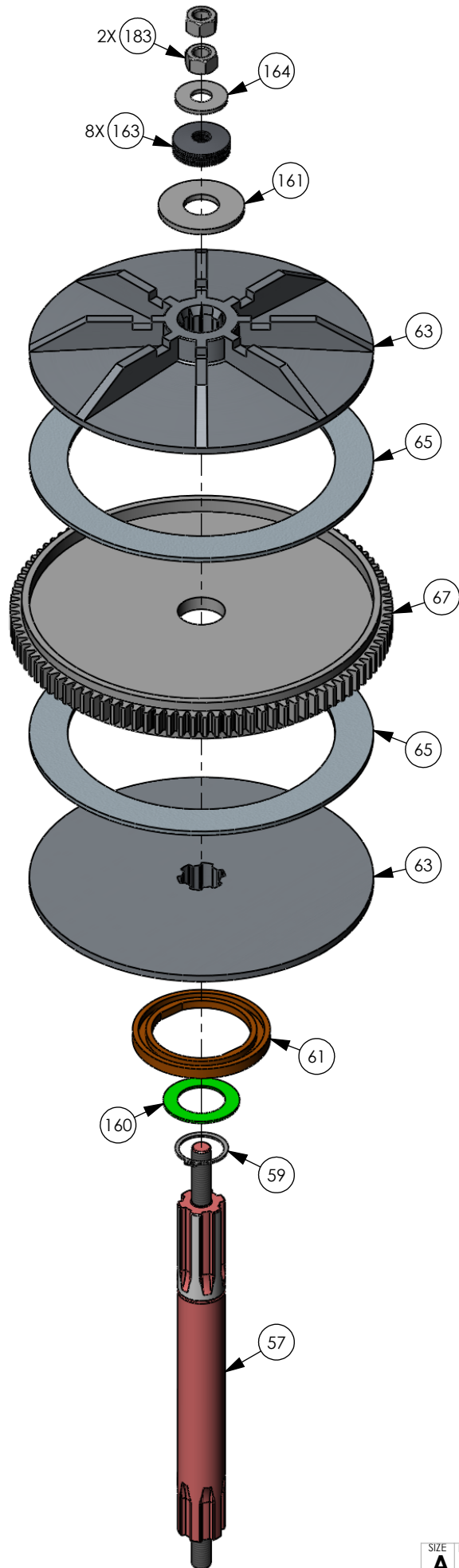
PROPRIETARY AND CONFIDENTIAL		NAME	DATE
THE INFORMATION CONTAINED IN THIS DRAWING IS THE SOLE PROPERTY OF Door King. ANY REPRODUCTION IN PART OR AS A WHOLE WITHOUT THE WRITTEN PERMISSION OF Door King IS PROHIBITED.		Sal	06/02/08
DRAWN			
CHECKED			
COMMENTS:			
SIZE		DWG. NO.	
A		6300-886	
Scale: None			REV K
			SHEET 1 OF 6

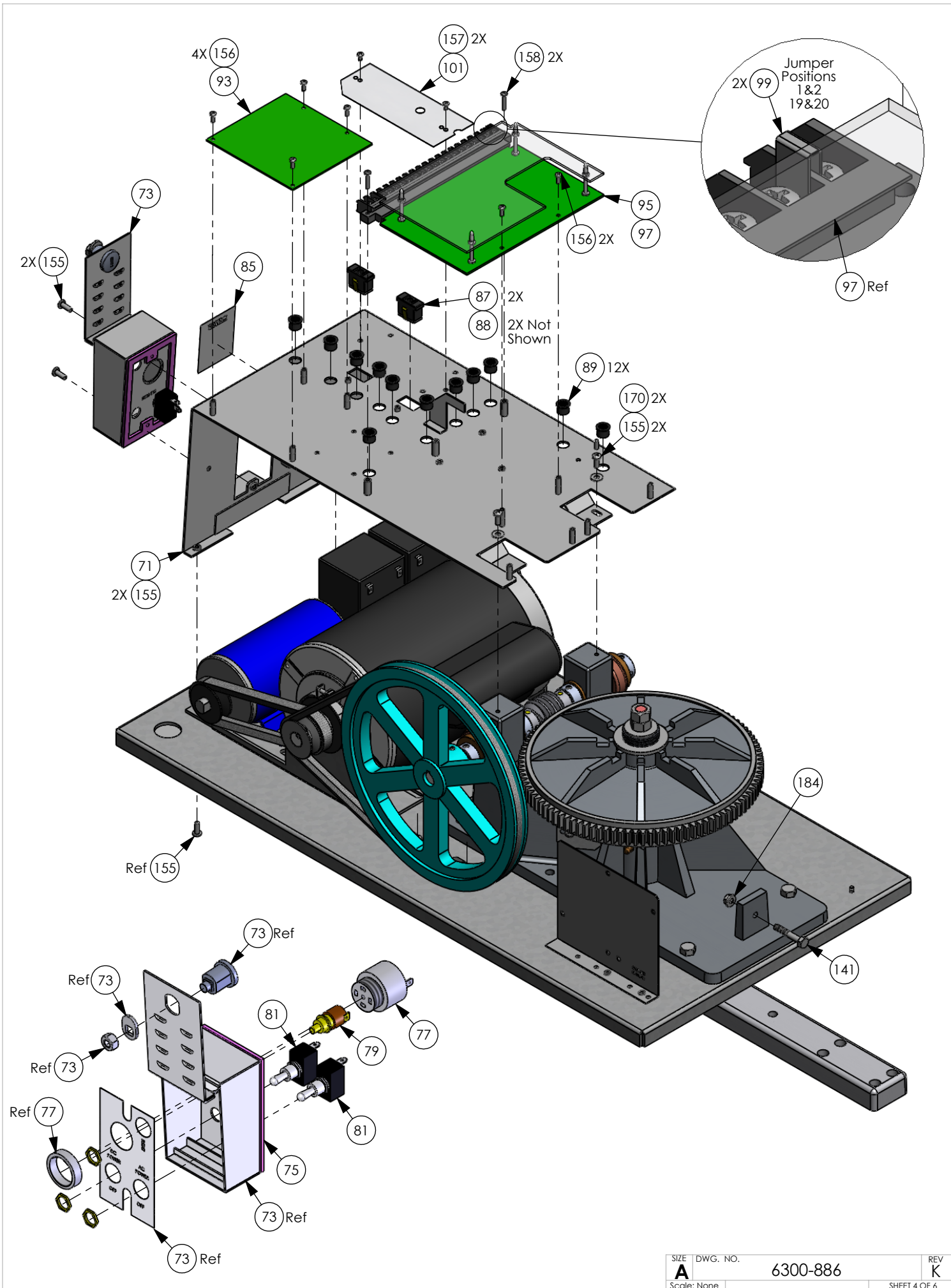


IPB-Model 6300-086, 1HP,
115 V, Convenient Open

**See Sheet 3
For Details**







Item	Part Number	Qty	UM	Description	Rev
1	6300-886	1	EA	IPB-115V 1HP, Primary, Convenient Open	K
3	2600-705	1	EA	Bracket Panel Base Model 630	
5	2600-708	1	EA	Bracket Motor Mt Model 630 BBU	
7	2600-163	1	EA	Motor Assembly 1HP Dual Pulley	
8	1215-018	2	EA	Wire Nut #71B	
9	2600-688	1	EA	Belt - 17" 4L170 Cogged	
10	2600-197	1	EA	Motor 24VDC For BB	
11	2600-569	1	EA	Pulley 10" Cast Iron AC100X5/8	
13	1601-019	1	EA	Keyway 3/16 x 3/16 x 1	
15	2600-428	1	EA	Belt-Cogged, AX-34	
19	2600-410	1	EA	Marker Strip Silkscn Both Side	
21	2600-414	1	EA	Terminal Block-2 Position	
23	3129-002	1	EA	Terminal Block Cover 2 Position	
24	4001-093	1	EA	MOV Assembly 130VAC	
27	2599-014	1	EA	Decal Copper Wire Only	
29	2600-439	1	EA	Washer Cup - Brass	
31	2599-006	1	EA	Decal SUPPLY GND	
32	2600-619	2	EA	Wire Clp-5/8 Concord 770-1209	
33	2600-665	1	EA	Battery Tray 610	
35	1801-009	2	EA	Battery 12V 3.0 AmpHour PS1230	
37	2600-638	1	EA	Bracket Radio 610 Battery Bkup	
39	6300-042	1	EA	Housing Assembly 6300	
41	2600-613	1	EA	Bracket Magnetic Ctr Potted	
43	3004-010	1	EA	Magnetic Counter Threaded	
45	3004-051	2	EA	Nut Panel 1/4-18	
47	2600-779	1	EA	Swing Crank Arm Extended	
49	2600-061	1	EA	Collar 2 OD x 1 1/4"ID x 5/8 L	
57	2600-174	1	EA	Main Shaft Assy Model 630	
59	2630-010	1	EA	Snap Ring 1.25"	
61	2600-073	1	EA	Magnet Counter Ring	
63	2600-681	2	EA	Clutch Plate 9" Die Cast	
65	2801-003	2	EA	Clutch Pad 9" OD620/25,630,630	
67	2600-644	1	EA	Worm Gear 100 Teeth Delrin	
71	2600-773	1	EA	Bracket Board Mtg Panel 630	
73	2600-533	1	EA	Switch Cover Doorking Lockable	
75	2600-731	1	EA	Gasket Switch Cover	
77	1506-071	1	EA	Tone Generator Loud	
79	1812-005	1	EA	Switch Push Button N.O.	
81	1601-041	2	EA	Switch Toggle SPST 2POS	
85	2599-008	1	EA	Label Patent	
87	1200-028	2	EA	Outlet Snap-In Leviton 1306	
88	2600-749	2	EA	Wire Connector STA-KON RC6	
89	2600-820	12	EA	Bushing 1/2	
93	2340-010	1	EA	PCB Battery Backup	
95	4502-010	1	EA	PCB Gate Operator	
97	4001-020	1	EA	Terminal 20 Pin	

99	2600-840	2	EA	Jumper- Ring Tongue #8 Screw
101	2600-945	1	EA	Cover Plastic Insulator
111	2600-725	1	EA	Cover-Model 6300
113	2600-732	1	EA	Nameplate Plastic DKS
115	2802-040	2	EA	Washer Push on Clamp
116	1897-052	2	EA	Gasket, Microphone Support
117	1702-507	1	EA	Cam "J" Hook
119	4001-035	1	EA	Lock N16058BDxSFx2K Key 16120
121	2600-720	1	EA	Crank Arm Joint Assembly Blk
123	2600-630	1	EA	Joint Cover Swinger Left
125	2600-631	1	EA	Joint Cover Swinger Right
127	2600-711	1	EA	Bracket 3/16 x 2 x 12
131	2599-034	1	EA	Label Gate Operator
133	2599-199	1	EA	Label Universal
140	2615-052	3	EA	Bolt Hex Head 3/8-16 x 1
141	2615-008	1	EA	Bolt Hex Head 1/4-20 x 1 1/2
150	2616-019	2	EA	Screw Phillips Head 8-32 x 3/4
151	2616-018	1	EA	Screw Phillips Head 8-32 x 1/2
152	2616-017	2	EA	Screw Phillips Head 8-32 x 3/8
153	2616-001	2	EA	Screw Phillips Head 6-32 x 3/8
154	2616-051	2	EA	Screw Phillips 10-32 x 3/8
155	2616-052	6	EA	Screw Phillips Head 10-32 x1/2
156	2616-001	6	EA	Screw Phillips Head 6-32 x 3/8
157	2600-887	2	EA	Screw Nylon Phillips 6-32 x 1/4
158	2616-003	2	EA	Screw Phillips Head 6-32 x 3/4
160	2620-220	2	EA	Washer 1.25 x 2 x .0625
161	2620-131	2	EA	Washer 1 7/8 OD x 1/2 ID 1/8 T
163	2600-183	8	EA	Washer Bellville 1.5 OD x .5 ID
164	2620-021	2	EA	Washer 1/2 SAE
165	2620-002	4	EA	Washer 1/4 USS
170	2620-010	4	EA	Washer #10 SAE
180	2620-411	8	EA	Nut Hex Flange Lock 5/16-18
181	2902-008	4	EA	Nut Keps 1/4-20
182	2620-320	1	EA	Nut Center Lock 1/2-13
183	2620-420	2	EA	Nut Hex 1/2-13
185	2902-006	2	EA	Nut Nylon Lock 10-32
200	1804-031	15	EA	Tie Wrap 4"
201	2600-698	1	EA	Wire Set Model 6050,6100,6300
203	2340-164	1	EA	Wire Set BB 6100,6300,9150
205	7082-137	1	EA	Wire 5" Green Stranded 14AWG
209	2599-100	2	EA	Sign Warning
211	6300-065	1	EA	Manual Installation