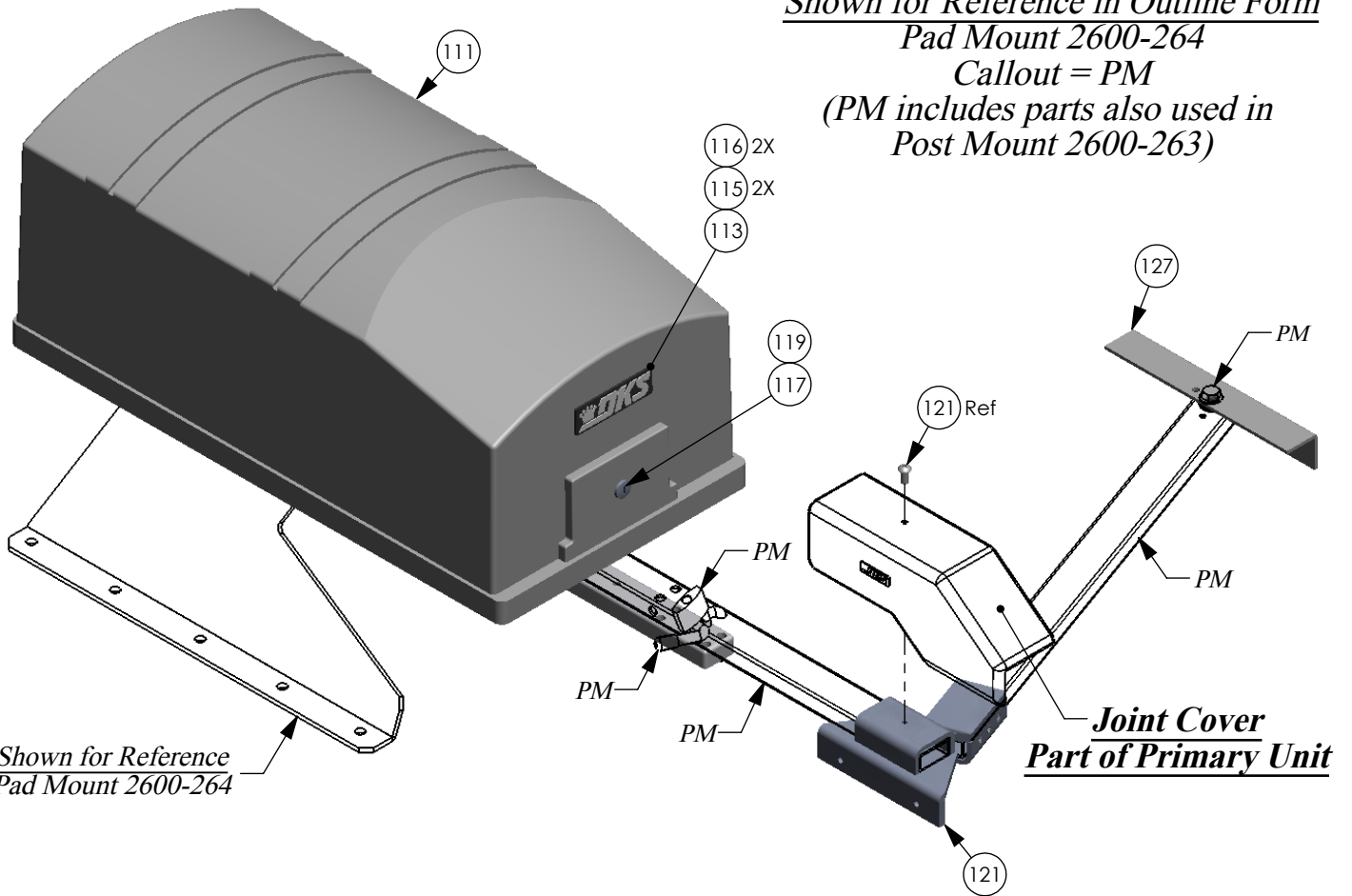


EO	REV	DESCRIPTION	Drawn	APPR
---	M	Added Item 92. Revised Item 91 & 93 Positions. Deleted Items 27, 29, 87, 88, 101, 151, 157,211.	Sal 07/09/08	D.C. 07/10/08
---	N	Added 116 & 210; Revised Item 180 Was: 2902-007; Deleted Item 166 Was: 2620-019.	Sal 09/18/08	D.C. 09/18/08

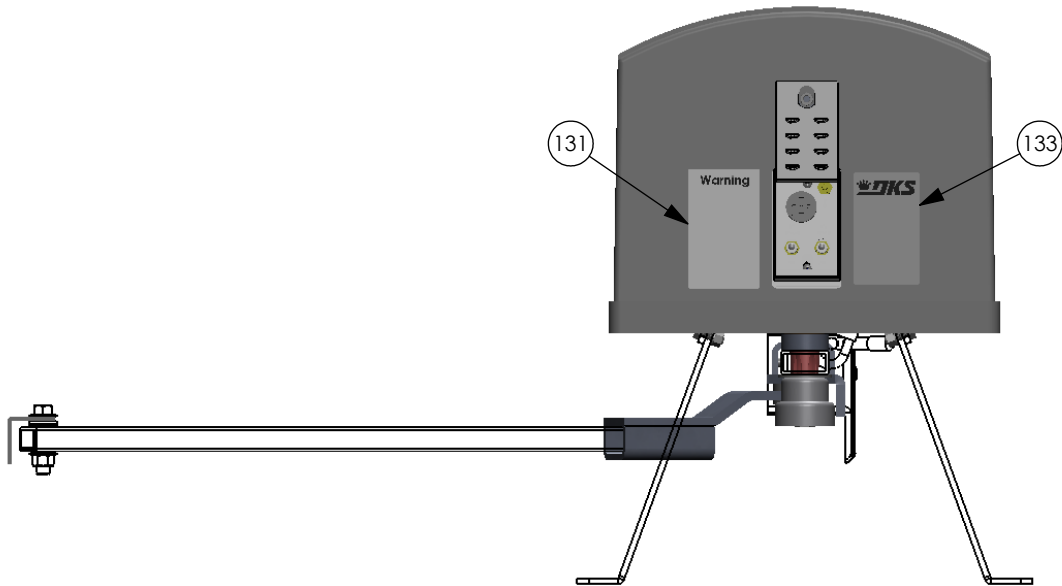
*Shown for Reference in Outline Form  
Pad Mount 2600-264*

*Callout = PM*

*(PM includes parts also used in  
Post Mount 2600-263)*



*Shown for Reference  
Pad Mount 2600-264*



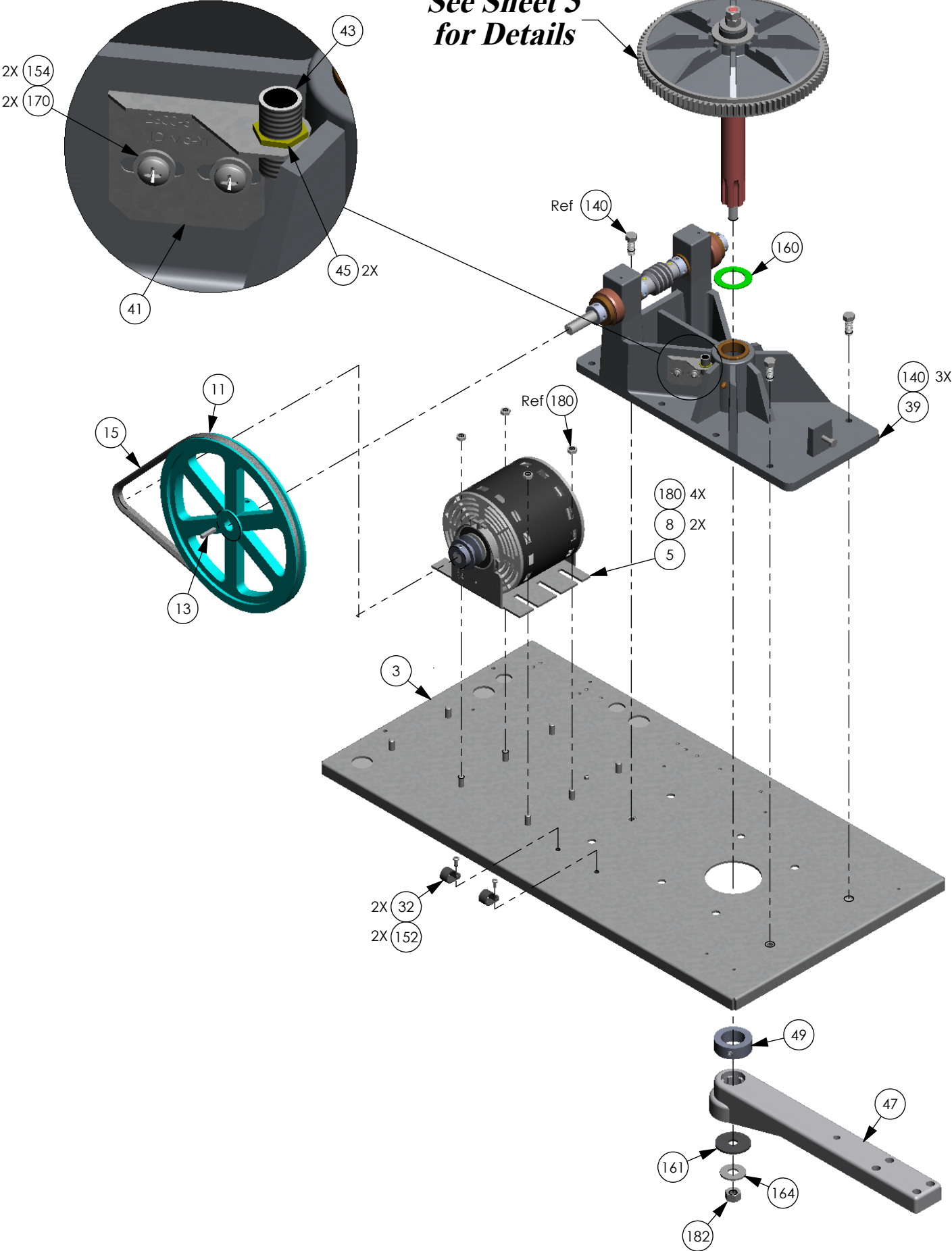
2. Items 200-211 Not Shown for Clarity.

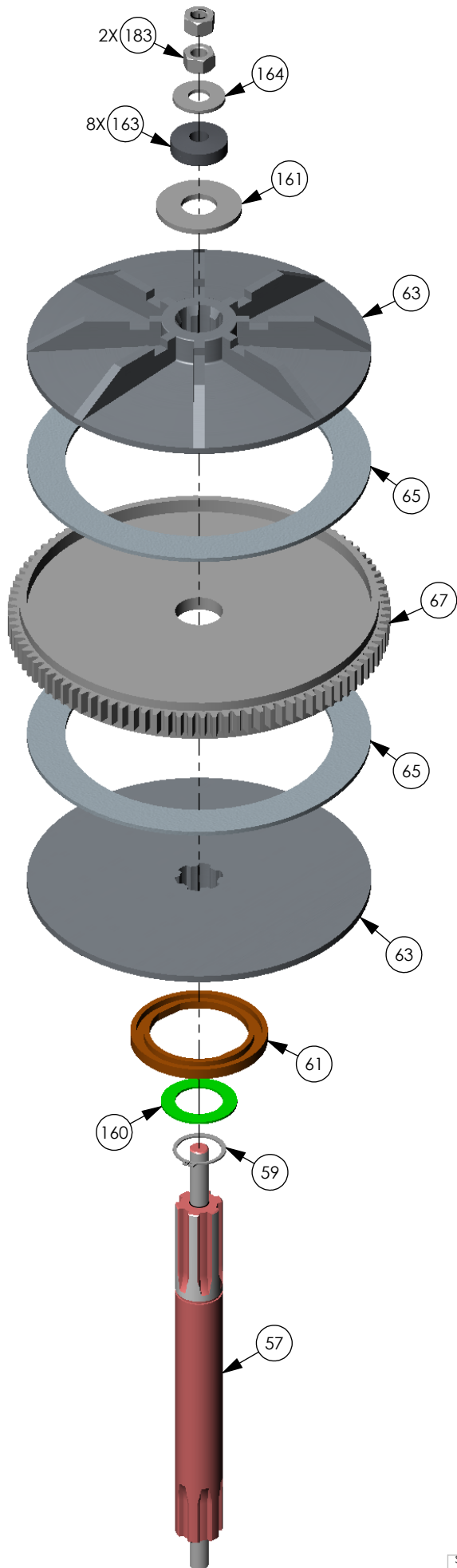
1. See attached reference sheet for BOM;  
Reference Movex 6300-081 Rev N.

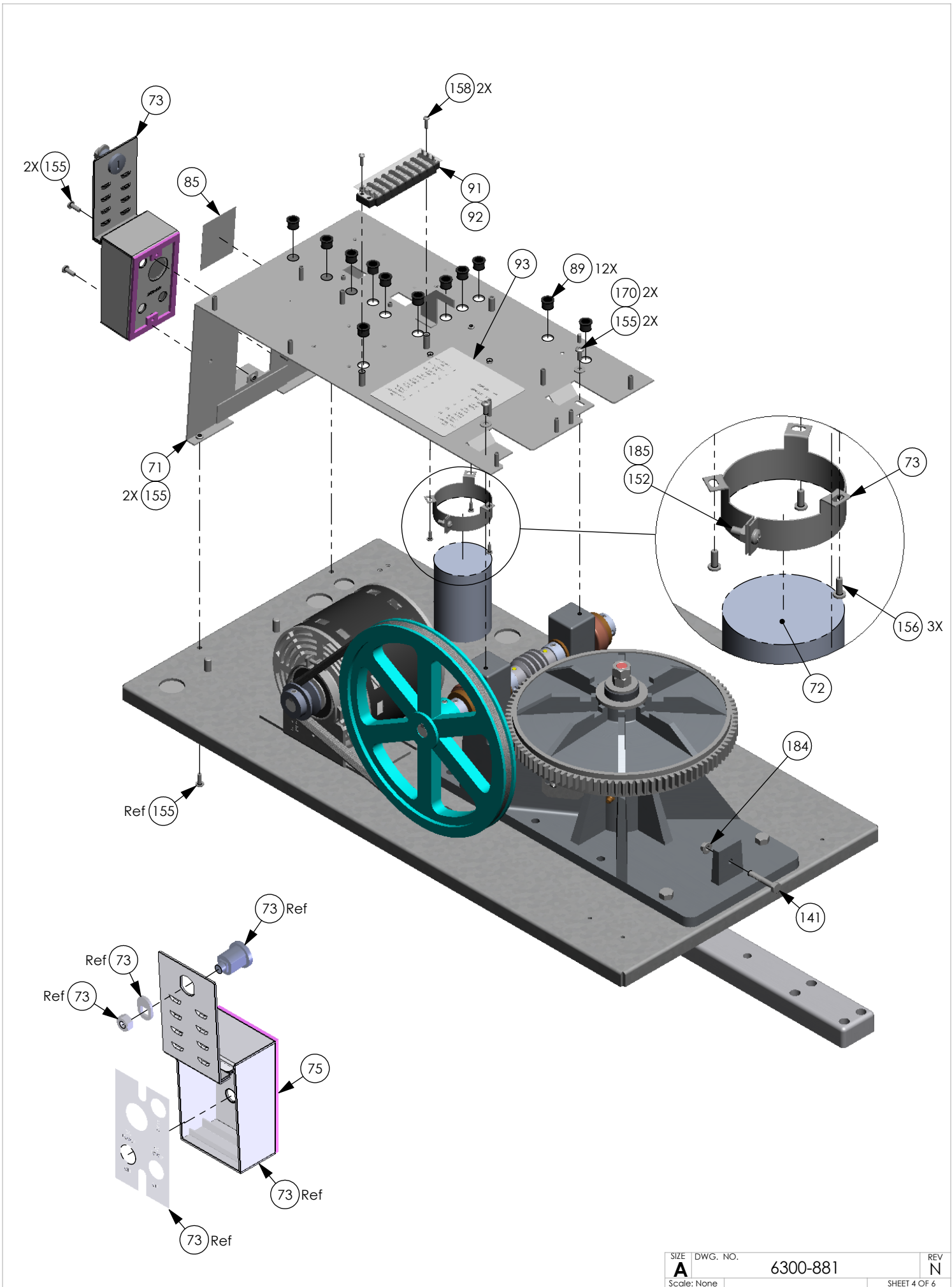
Notes: Unless Otherwise Specified.

PROPRIETARY AND CONFIDENTIAL		NAME	DATE	DKS	
DRAWN		Sal	06/27/08	IPB-Model 6300-081, 1/2HP, Secondary	
CHECKED					
COMMENTS:					
SIZE	DWG. NO.	6300-881		REV	N
Scale: None					SHEET 1 OF 6

*See Sheet 3  
for Details*







Item	Part Number	Qty	UM	Description	Rev
1	6300-881	1	EA	IPB-1/2HP Secondary, Swing Gate Optr	N
3	2600-705	1	EA	Bracket Panel Base Model 630	
5	2600-129	1	EA	Motor Assembly 1/2 HP	
8	1215-018	2	EA	Wire Nut #71B	
11	2600-569	1	EA	Pulley 10" Cast Iron AC100X5/8	
13	1601-019	1	EA	Keyway 3/16"x3/16"x1"	
15	2600-428	1	EA	Belt-Cogged, AX-34	
32	2600-619	2	EA	Wire Clip-5/8" Concord 770-1209	
39	6300-042	1	EA	Housing Assembly 6300	
41	2600-613	1	EA	Bracket Magnetic Ctr Potted	
43	3004-010	1	EA	Magnetic Counter Threaded	
45	3004-051	2	EA	Nut Panel 1/4 x 18	
47	2600-779	1	EA	Swing Crank Arm Extended	
49	2600-061	1	EA	Collar 2"OD x 1 1/4"ID x 5/8"L	
57	2600-174	1	EA	Main Shaft Assy Model 630	
59	2630-010	1	EA	Snap Ring 1.25"	
61	2600-073	1	EA	Magnet Counter Ring	
63	2600-681	2	EA	Clutch Plate 9" Die Cast	
65	2801-003	2	EA	Clutch Pad 9" OD620/25,630,630	
67	2600-644	1	EA	Worm Gear 100 Teeth Delrin	
71	2600-773	1	EA	Bracket Board Mtg Panel 630	
72	2600-102	1	EA	Capacitor 50uf 370VAC	
73	2600-875	1	EA	Capacitor Mounting Clamp	
74	2600-533	1	EA	Switch Cover Doorlocking Lockable	
75	2600-731	1	EA	Gasket Switch Cover	
85	2599-008	1	EA	Label Patent	
89	2600-820	12	EA	Bushing 1/2	
91	3130-023	1	EA	Terminal Strip 8 Row Screw	
92	3129-008	1	EA	Terminal Block Cover 8 Positio	
93	2599-064	1	EA	Label 6000 8 Terminal Mstr-Slv	
111	2600-725	1	EA	Cover-Model 6300	
113	2600-732	1	EA	Nameplate Plastic DKS	
115	2802-040	2	EA	Washer Push on Clamp	
116	1897-052	2	EA	Gasket, Microphone Support	
117	1702-507	1	EA	Cam "J" Hook	
119	4001-035	1	EA	Lock N16058BDxSFx2K Key 16120	
121	2600-720	1	EA	Crank Arm Joint Assembly Blk	
127	2600-711	1	EA	Bracket 3/16 x 2 x 12	
131	2599-034	1	EA	Label Gate Operator	
133	2599-199	1	EA	Label Universal	
140	2615-052	3	EA	Bolt Hex Head 3/8-16 x 1	
141	2615-008	1	EA	Bolt Hex Head 1/4x20x1.5"	
152	2616-017	3	EA	Screw Phillips Head 8-32 x 3/8	
154	2616-051	2	EA	Screw Phillips 10-32x3/8	
155	2616-052	6	EA	Screw Phillips Head 10-32 x1/2	
156	2616-001	3	EA	Screw Phillips Head 6-32 x 3/8	
158	2616-003	2	EA	Screw Phillips Head 6-32 x 3/4	
160	2620-220	2	EA	Washer 1.25x2x.0625	
161	2620-131	2	EA	Washer 1 7/8"ODx1/2"ID 1/8 T	
163	2600-183	8	EA	Washer Bellville 1.5"ODx.5"ID	
164	2620-021	2	EA	Washer 1/2 " SAE	

170	2620-010	4	EA	Washer #10 SAE
180	2620-411	4	EA	Nut Hex Flange Lock 5/16-18
182	2620-320	1	EA	Nut Center Lock 1/2-13
183	2620-420	2	EA	Nut Hex 1/2-13
184	2620-409	1	EA	Nut Hex Flange Lock 1/4-20
185	2620-401	1	EA	Nut Hex 8-32
200	1804-031	15	EA	Tie Wrap 4"
201	2600-698	1	EA	Wire Set Model 6050,6100,6300
209	2599-100	2	EA	Sign Warning
210	2600-757	1	EA	Wire 9 Conductor Cable 50ft