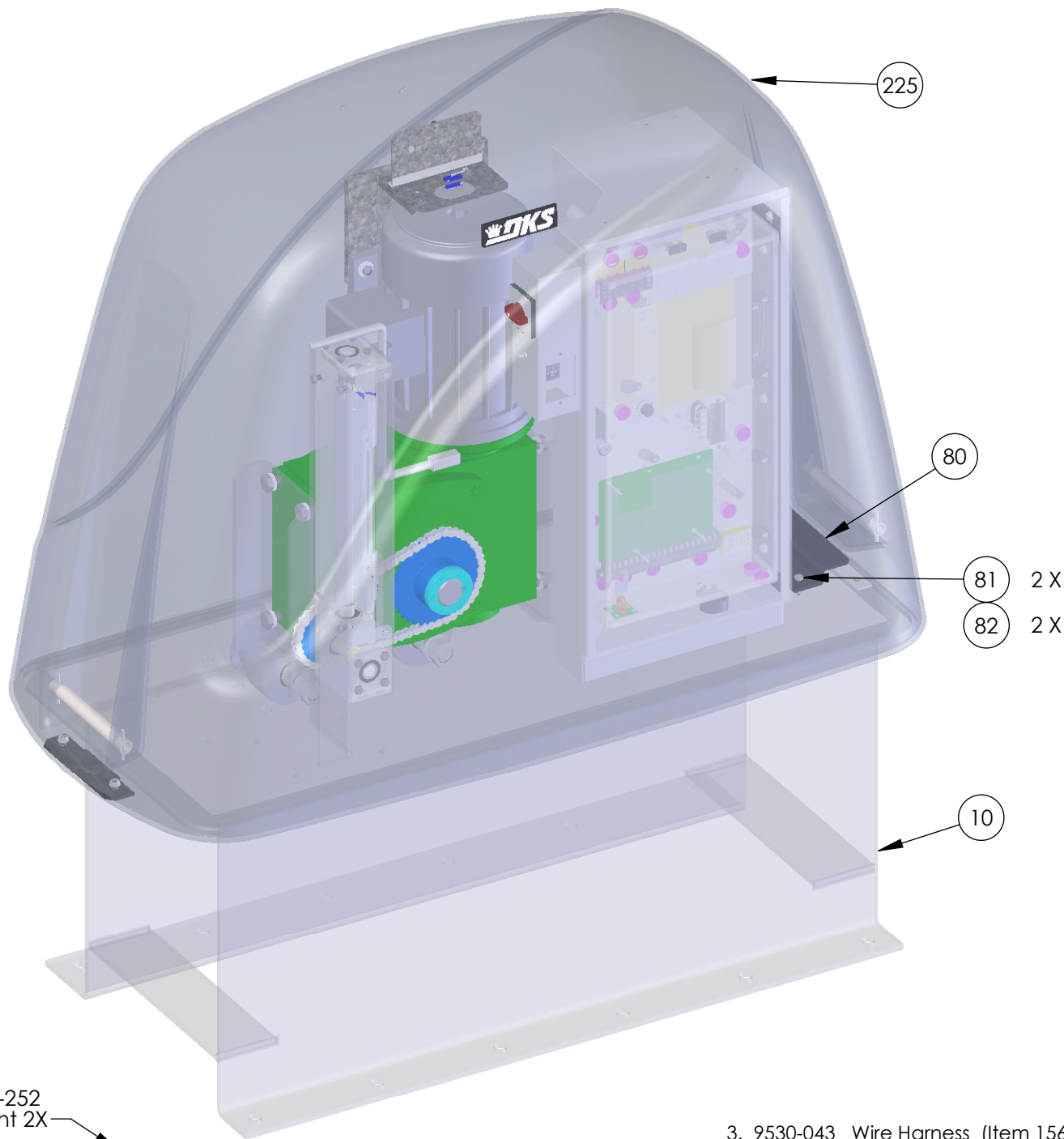


REVISIONS

ZONE	REV.	DESCRIPTION	DATE	APPROVED
	A	New Drawing	3/4/2011	D.C.



2601-252  
Mount 2X

2620-084  
Washer 4X

2601-272  
20ft Chain

2616-820 2X  
Threaded Stud

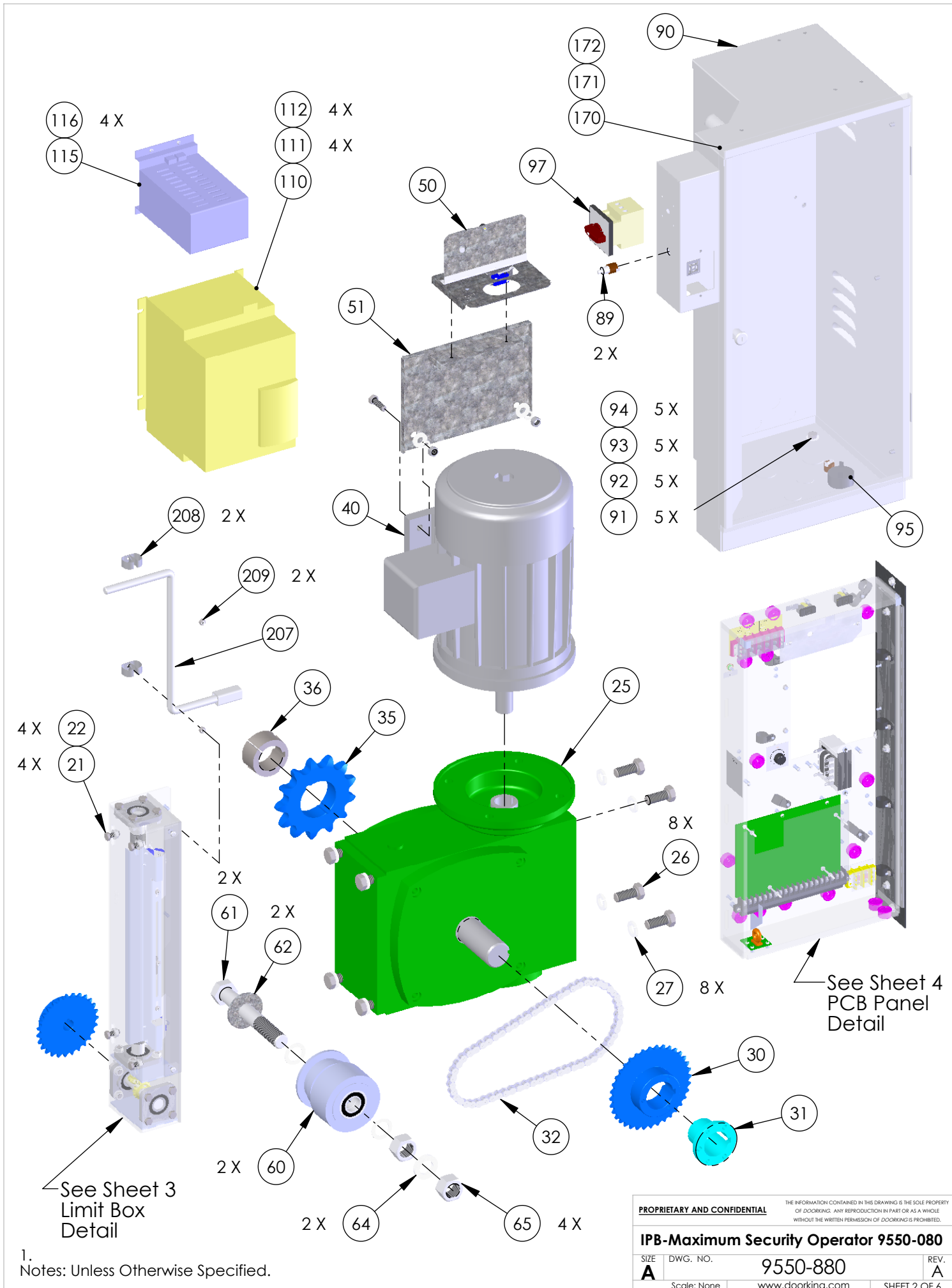
2620-478  
Nut 4X

- 3. 9530-043 Wire Harness (Item 156)
- 2. 9210-043 Wire Harness (Item 155)
- 1. 9530-065 Manual (Item 2),

Included with Operator Not Shown.  
Notes: Unless Otherwise Specified.

Accessory Kit #2601-274  
Item (235) 100 Chain

<b>PROPRIETARY AND CONFIDENTIAL</b>			
<small>THE INFORMATION CONTAINED IN THIS DRAWING IS THE SOLE PROPERTY OF DOOR KING. ANY REPRODUCTION IN PART OR AS A WHOLE WITHOUT THE WRITTEN PERMISSION OF DOOR KING IS PROHIBITED.</small>			
<a href="http://www.doorking.com">www.doorking.com</a>			
<b>IPB-Maximum Security Operator 9550-080</b>			
SIZE	DWG. NO.	REV.	
<b>A</b>	9550-880	<b>A</b>	
<small>Scale: None</small>		<small>www.doorking.com</small>	<small>SHEET 1 OF 6</small>



1.  
Notes: Unless Otherwise Specified.

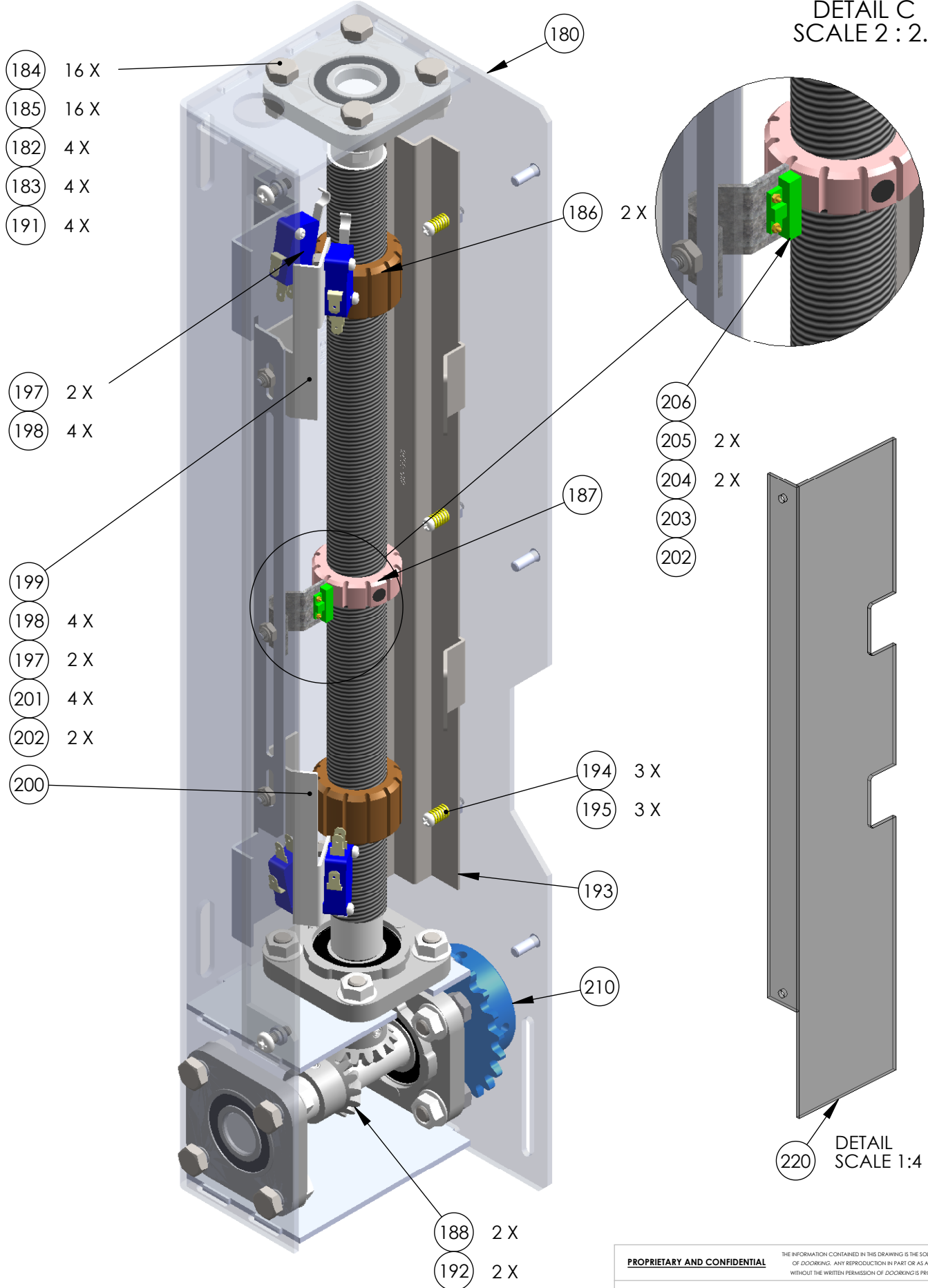
PROPRIETARY AND CONFIDENTIAL

THE INFORMATION CONTAINED IN THIS DRAWING IS THE SOLE PROPERTY OF DOOR KING. ANY REPRODUCTION IN PART OR AS A WHOLE WITHOUT THE WRITTEN PERMISSION OF DOOR KING IS PROHIBITED.

**IPB-Maximum Security Operator 9550-080**

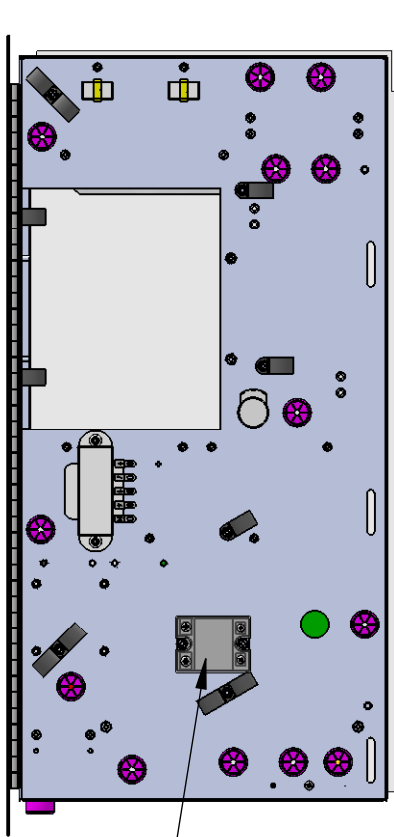
SIZE	DWG. NO.	9550-880	REV.
A			A
Scale: None	www.doorking.com		SHEET 2 OF 6

DETAIL C  
SCALE 2 : 2.5



1.  
Notes: Unless Otherwise Specified.

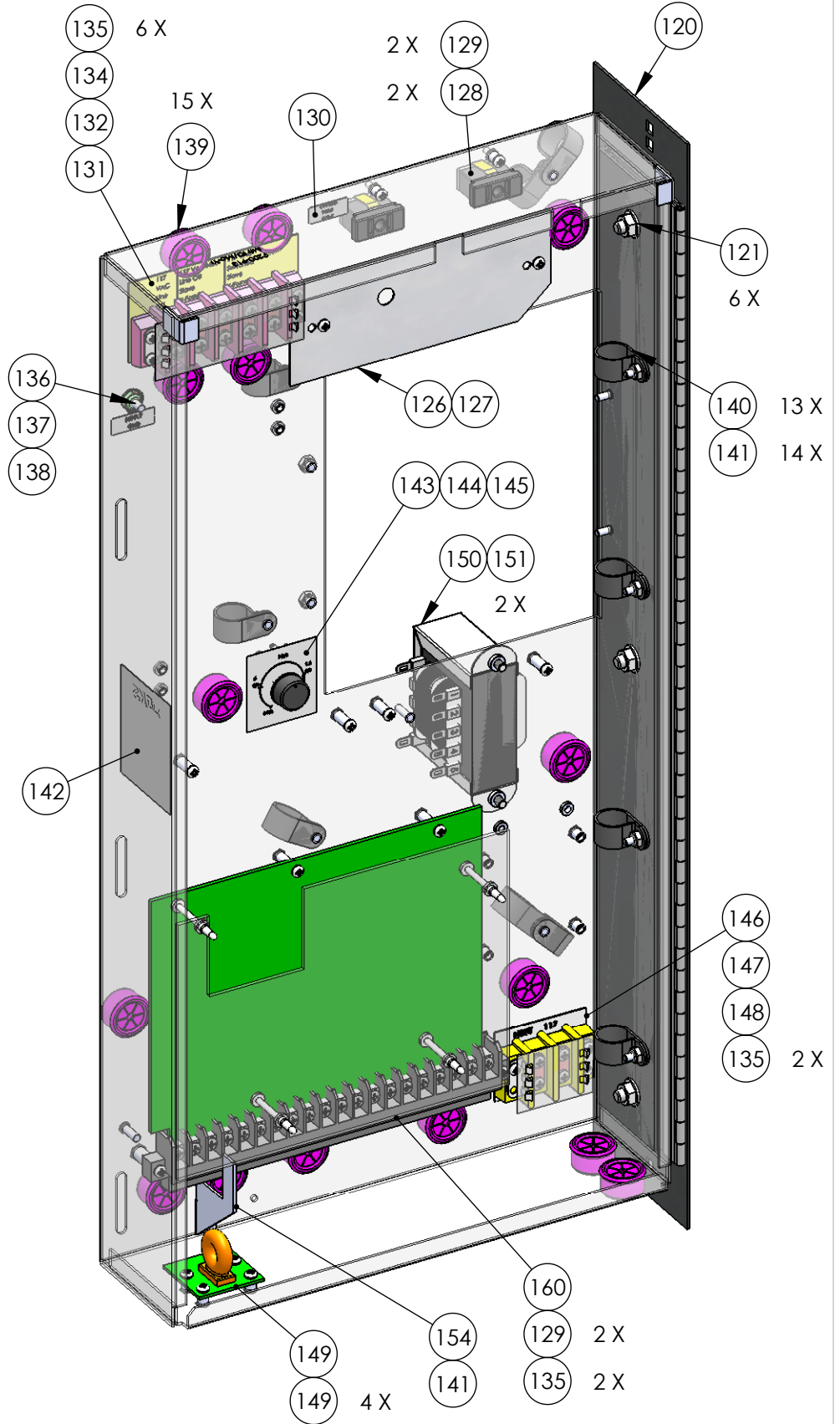
<b>PROPRIETARY AND CONFIDENTIAL</b>			
<small>THE INFORMATION CONTAINED IN THIS DRAWING IS THE SOLE PROPERTY OF DOOR KING. ANY REPRODUCTION IN PART OR AS A WHOLE WITHOUT THE WRITTEN PERMISSION OF DOOR KING IS PROHIBITED.</small>			
<b>IPB-Maximum Security Operator 9550-080</b>			
SIZE	DWG. NO.	9550-880	REV. A
A			
Scale: 1:2.2		www.doorking.com	SHEET 3 OF 6



152 141  
2 X



161



135 6 X

134 15 X

132

131

136

137

138

142

2 X 129

2 X 128

120

121

6 X

140 13 X

141 14 X

126 127

143 144 145

150 151

2 X

146

147

148

135 2 X

160

129 2 X

149

149 4 X

154

141

135 2 X

THE INFORMATION CONTAINED IN THIS DRAWING IS THE SOLE PROPERTY OF DOORING. ANY REPRODUCTION IN PART OR AS A WHOLE WITHOUT THE WRITTEN PERMISSION OF DOORING IS PROHIBITED.

PROPRIETARY AND CONFIDENTIAL

**IPB-Maximum Security Operator 9550-880**

SIZE	DWG. NO.	REV.
<b>A</b>	9550-880	<b>A</b>
Scale: None		SHEET 4 OF 6

www.dooring.com

ITEM	PART #	QTY	DESCRIPTION
1	9550-880	1 EA	Illustrated Parts Breakdown
2	9530-065	1 EA	Manual
10	9550-155	1 EA	Base Slider
21	2615-153	4 EA	Bolt Hex Head 5/16-18 x 3/4
22	2620-411	4 EA	Nut Hex Flange Lock 5/16-18
25	2601-258	1 EA	Gearbox 40:1 Model 9550
26	2615-032	8 EA	Bolt Hex Head 5/8-11x1 1/2"Gr8
27	2620-049	8 EA	Lockwasher 5/8"
30	2601-328	1 EA	Sprocket 41 Chain 36 Tooth
31	2601-322	1 EA	Sprocket Hub 1 1/2" Bore
32	2600-441	.05EA	Chain #41
33	2600-481	1 EA	Master Link #41 Chain
35	2601-316	1 EA	Sprocket 100 Chain 13 Tooth
36	2601-334	1 EA	Sprocket Hub 1 1/2" Bore
40	2601-261	1 EA	Motor 5HP
41	2615-052	4 EA	Bolt Hex Head 3/8-16 x 1
42	2620-047	4 EA	Lockwasher 3/8"
50	1603-032	1 EA	Manual Safety Interlock Assy
51	9550-240	1 EA	Interlock Mounting Bracket
52	2615-053	2 EA	Bolt Hex Head 3/8-16 x 1 1/4
53	2620-029	2 EA	Washer 3/8" USS
54	2620-047	2 EA	Lockwasher 3/8"
55	2620-405	2 EA	Nut Hex 3/8-16
60	9550-135	2 EA	Idler Wheel UHMW
61	2615-220	2 EA	Bolt Hex Head 1-14 x 7 Gr5
62	2620-084	2 EA	Washer 1" USS Galv
63	2620-225	2 EA	Washer SS 1.5"ODx1.00"IDx.050"T
64	2620-056	2 EA	Lockwasher 1"
65	2620-480	4 EA	Nut Hex 1-14 Thread Gr5
80	9550-228	1 EA	Bracket Offset Catch
81	2615-154	2 EA	Bolt Hex Head 5/16-18 x 1
82	2620-411	2 EA	Nut Hex Flange Lock 5/16-18
90	9550-100	1 EA	Control Box Slide Gate
91	2615-052	5 EA	Bolt Hex Head 3/8-16 x 1
92	2620-019	10 EA	Washer 3/8" SAE
93	2620-047	5 EA	Lockwasher 3/8"
94	2620-405	5 EA	Nut Hex 3/8-16
95	1506-071	1 EA	Tone Generator Loud
96	1812-005	2 EA	Switch Push Button N.O.
97	2600-403	1 EA	Switch 3 Phase 25 AMP
98	1804-029	2 EA	Mount Wire Tie
99	2600-619	2 EA	Wire Clip-5/8" Concord 770-1209
100	2902-006	2 EA	Nut Nylon Lock 10-32
101	2600-820	1 EA	Bushing 1/2
110	9210-418	1 EA	AC Motor Drve Assy 208V3P 15HP
111	2620-009	4 EA	Washer Split Lock 1/4"
112	2905-065	4 EA	Screw Phillips Head 1/4-20x1/2
115	9210-425	1 EA	AC Tech Brake 845-215
116	2616-001	4 EA	Screw Phillips Head 6-32 x 3/8
120	9200-900	1 EA	Mount Plate PCB Hinged 9200
121	2620-409	6 EA	Nut Hex Flange Lock 1/4-20
125	9200-913	1 EA	Mount Panel PCB 9200
126	2600-945	1 EA	Cover Plastic Insulator
127	2616-000	6 EA	Screw Phillips Head 6-32 x 1/4
128	1200-028	2 EA	Outlet Snap-In Leviton 1306
129	2616-002	6 EA	Screw Phillips Head 6-32 x 1/2
130	2599-014	1 EA	Decal Copper Wire Only
131	2600-434	1 EA	Marker Strip 208V 3Phase
132	3130-008	1 EA	Terminal Block 5 pin
134	3129-005	1 EA	Terminal Block Cover 5 Position
135	2616-007	6 EA	Screw Phillips Head 6-32x5/8"

<small>PROPRIETARY AND CONFIDENTIAL</small>				<small>THE INFORMATION CONTAINED IN THIS DRAWING IS THE SOLE PROPERTY OF DOORCKING. ANY REPRODUCTION IN PART OR AS A WHOLE WITHOUT THE WRITTEN PERMISSION OF DOORCKING IS PROHIBITED.</small>			
<b>IPB-Maximum Security Operator 9550-080</b>							
SIZE	DWG. NO.	9550-880				REV.	A
A		www.doorking.com				SHEET	5 OF 6
Scale: None							

ITEM	PART #	QTY	DESCRIPTION
136	2599-006	1 EA	Decal SUPPLY GND
137	2600-439	1 EA	Washer Cup - Brass
138	2902-010	1 EA	Nut Nylon Lock 8-32 Green
139	2600-810	15 EA	Bushing 7/8 Poke Thru Flaps
140	2600-619	13 EA	Wire Clip-5/8" Concord 770-1209
141	2902-003	14 EA	Nut Nylon Lock 6-32
142	2599-008	1 EA	Label Patent
143	3140-040	1 EA	Label 9210 Speed
144	4001-125	1 EA	Pot 5k Linear Taper Chassis Mt
145	9210-255	1 EA	Knob for 1/4" Shaft Set Screw
146	2600-410	1 EA	Marker Strip Silkscn Both Side
147	2600-414	1 EA	Terminal Block-2 Position
148	3129-002	1 EA	Terminal Block Cover 2 Position
149	2343-010	1 EA	PCB Current Sensor
150	4001-095	1 EA	Trans Small 460/230/208-115
151	2616-051	2 EA	Screw Phillips 10-32x3/8
152	9200-932	1 EA	Solid Ste Rely 1P SGDh2544RD3
153	4001-020	1 EA	Terminal 20 Pin
154	9200-234	1 EA	Bracket High/Low Volt Separator
155	9210-043	1 EA	Wire Harness 9210 Subassy VS
156	9530-043	1 EA	Wire Harness 9530 Subassy VS
160	4404-010	1 EA	PCB Gate Operator
161	9210-006	1 EA	Cover Plastic
170	9550-110	1 EA	Control Box Door Slide Gate
171	4001-035	1 EA	Lock N16058BDxSFx2K Key 16120
172	1702-501	1 EA	Cam 7/8"
180	2600-529	1 EA	Bracket Limit Enclosure 9200
181	2600-909	1 EA	Shaft Limit Threaded 9200
182	2600-454	4 EA	Bearing Holder Plastic Front
183	2600-440	4 EA	Bearing Used in Slide Oper
184	2615-153	16 EA	Bolt Hex Head 5/16-18 x 3/4
185	2620-411	16 EA	Nut Hex Flange Lock 5/16-18
186	2600-258	2 EA	Limit Nut 1" Bronze
187	2600-254	1 EA	Limit Nut w/Magnet Assy Bronze
188	2600-309	2 EA	Gear Bevel 15 tooth Bored 3/4"
189	2600-199	1 EA	Shaft Limit Cross 9200
190	2630-018	1 EA	Snap Ring 3/4" 01121
191	2600-096	2 EA	Washer SS 1.125"ODx.75"IDx.03"
192	2600-032	2 EA	Spirol Pin - 3/16" D x 1" L SS
193	2600-522	1 EA	Bracket Limit Hold 9200
194	2600-857	3 EA	Spring-Compression Limits
195	2616-108	3 EA	Screw Smooth Shoulder 6-32x3/4
197	1804-024	4 EA	Switch Micro No NC C
198	2904-004	8 EA	Screw Round Head 4-40 x 5/8"
199	9210-301	1 EA	Bracket Upper Slow Down Limit
200	9210-302	1 EA	Bracket Lower Slow Down Limit
201	2902-002	4 EA	Nut Nylon Lock 4-40
202	2902-003	2 EA	Nut Nylon Lock 6-32
203	9210-303	1 EA	Bracket Partial Open Limit
204	2616-031	2 EA	Screw Flat Head #0-90x1/4 Slot
205	2620-399	2 EA	Nut Hex 00-90 Brass Zinc Plt
206	1601-256	1 EA	Switch Magnetic Sensor
207	9530-193	1 EA	Crank Handle Model 9530
208	2600-214	2 EA	Spring Clip For Crank Handle
209	2902-006	2 EA	Nut Nylon Lock 10-32
210	2601-326	1 EA	Sprocket 41 Chain 3/4" Shaft
220	9200-005	1 EA	Cover Plastic Limits
221	2616-052	2 EA	Screw Phillips Head 10-32 x1/2
225	9550-400	1 EA	Cover Assembly
230	2600-767	2 EA	Lock Padlock Brass B745C
235	2601-274	1 EA	Accessory Box 100 Chain Oper

<b>PROPRIETARY AND CONFIDENTIAL</b>		THE INFORMATION CONTAINED IN THIS DRAWING IS THE SOLE PROPERTY OF DOORING. ANY REPRODUCTION IN PART OR AS A WHOLE WITHOUT THE WRITTEN PERMISSION OF DOORING IS PROHIBITED.	
<b>IPB-Maximum Security Operator 9550-080</b>			
SIZE	DWG. NO.	REV.	
<b>A</b>	9550-880	<b>A</b>	
Scale: None	www.dooring.com	SHEET 6 OF 6	