

DETAIL A
SCALE 1 : 2

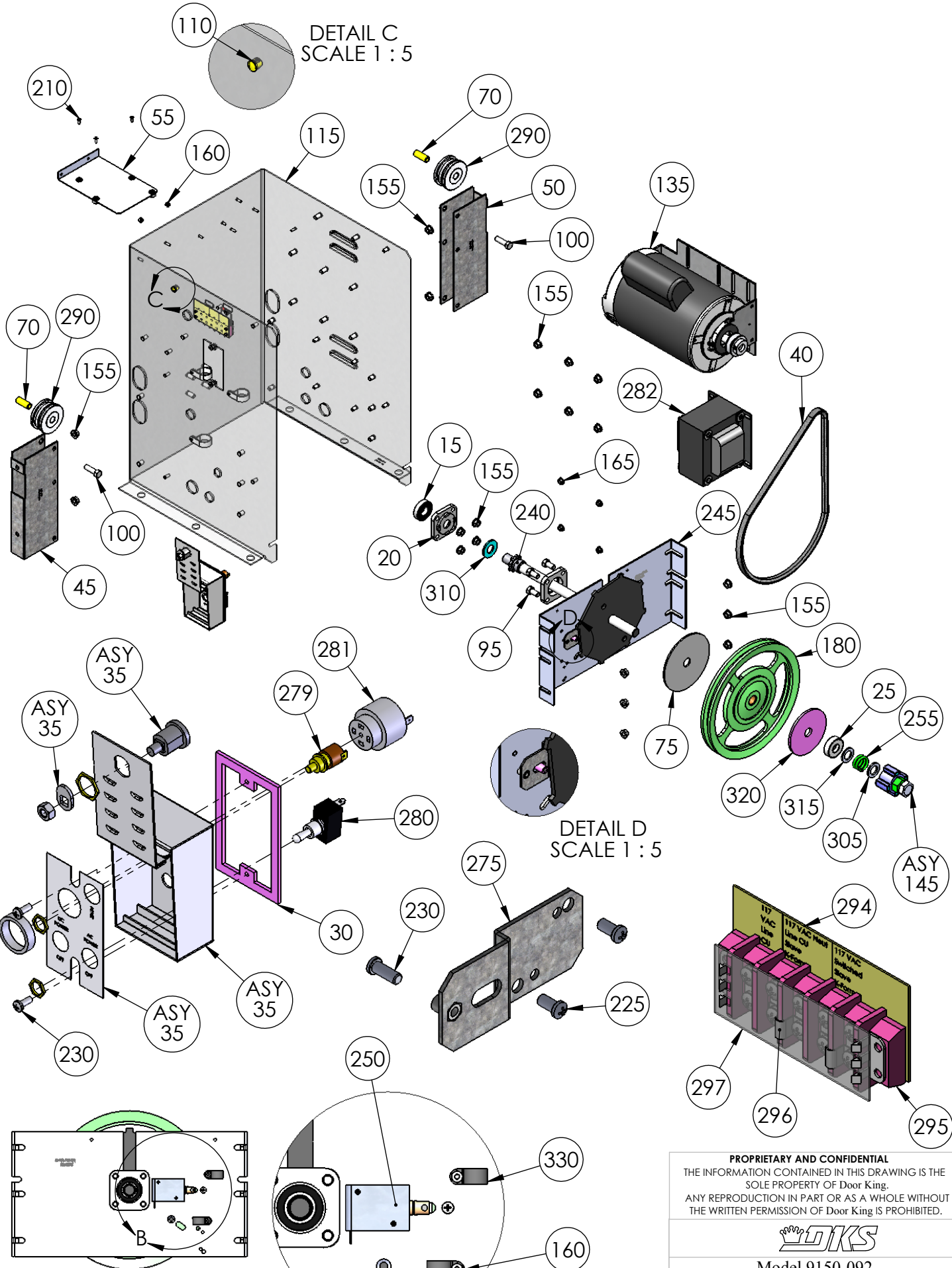
PROPRIETARY AND CONFIDENTIAL
 THE INFORMATION CONTAINED IN THIS DRAWING IS THE
 SOLE PROPERTY OF Door King.
 ANY REPRODUCTION IN PART OR AS A WHOLE WITHOUT
 THE WRITTEN PERMISSION OF Door King IS PROHIBITED.



Model 9150-092
 1Hp 208Volt

SIZE A	DWG 9150-892	REV A
SCALE: 1:1		SHEET 1 of 3

DETAIL C
SCALE 1 : 5



DETAIL D
SCALE 1 : 5

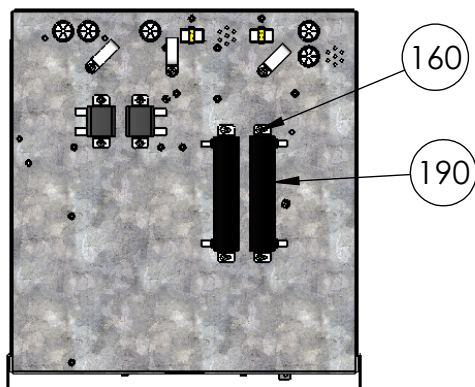
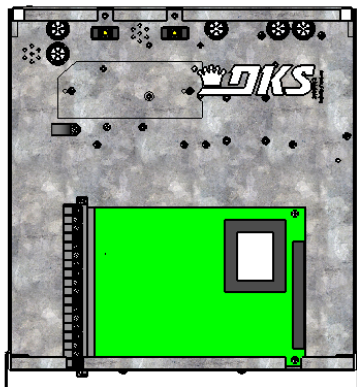
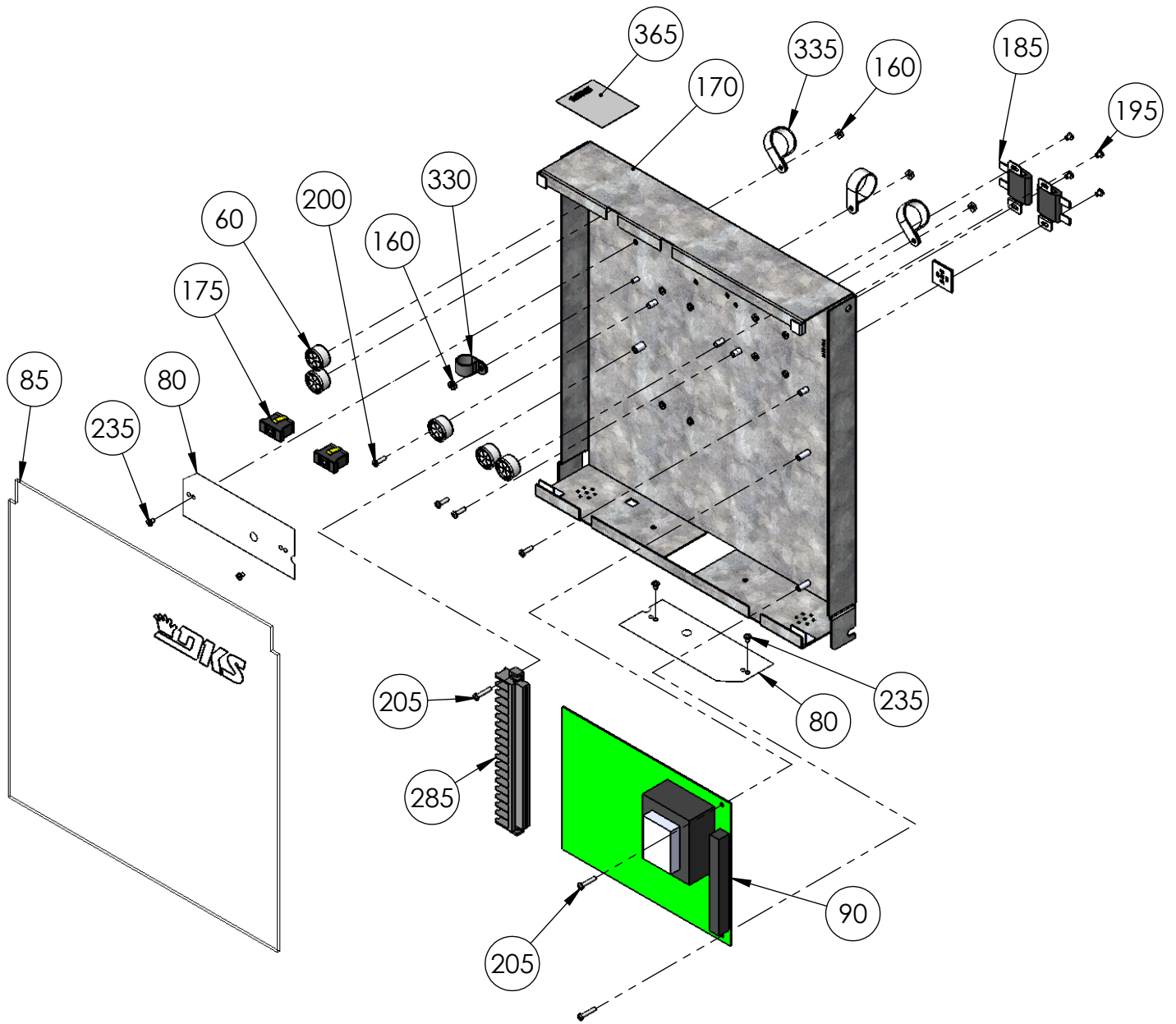
DETAIL B
SCALE 1 : 4

PROPRIETARY AND CONFIDENTIAL
 THE INFORMATION CONTAINED IN THIS DRAWING IS THE
 SOLE PROPERTY OF Door King.
 ANY REPRODUCTION IN PART OR AS A WHOLE WITHOUT
 THE WRITTEN PERMISSION OF Door King IS PROHIBITED.

DKS

Model 9150-092
 1Hp 208Volt

SIZE A	DWG 9150-892	REV A
SCALE: 1:2		SHEET 2 of 3



PROPRIETARY AND CONFIDENTIAL
 THE INFORMATION CONTAINED IN THIS DRAWING IS THE
 SOLE PROPERTY OF Door King.
 ANY REPRODUCTION IN PART OR AS A WHOLE WITHOUT
 THE WRITTEN PERMISSION OF Door King IS PROHIBITED.



Model 9150-092
 1Hp 208Volt

SIZE A	DWG 9150-892	REV A
SCALE: 1:24		SHEET 3 of 3

9150-092	Part #	Qt	Description
	1 9150-066	1	Manual Installation
	7 1897-052	2	Gasket, Microphone Support
	8 2802-040	2	Washer Push on Clamp
	9 2600-732	1	Nameplate Plastic DKS Big
	10 2600-852	1	Accessory Box 9150 Operator
	15 2600-440	1	Bearing Used in Slide Oper
	20 2600-453	1	Bearing Holder Plastic Back
	25 2600-053	1	Bearing - Thrust 3/4 ID
	30 2600-731	1	Gasket Switch Cover
	35 2600-533	1	Switch Cover Doorlocking Lockable
	40 2600-694	1	Belt - AX36
	45 2600-965	1	Bracket Idler Left 9150
	50 2600-966	1	Bracket Idler Right 9150
	55 2600-938	1	Radio Tray 910
	60 2600-810	5	Bushing 7/8 Poke Thru Flaps
	70 2600-871	2	Bushing 1/2"ODx5/16"IDx1 5/16L
	75 2801-004	1	Clutch Pad 5" OD - 3/4" ID
	80 2600-945	2	Cover Plastic Insulator
	85 9150-006	1	Cover Plastic Model 9150
	90 4602-010	1	PCB Slide Gate Operator
	95 2615-153	4	Bolt Hex Head 5/16-18 x 3/4
	100 2615-155	2	Bolt Hex Head 5/16-18 x 1 3/4
	105 2600-932	1	Door Model 9150
	110 2600-880	1	Hole Plug Plastic for 3/8 Hole
	115 2600-984	1	Housing-Model 9150
	120 4001-035	1	Lock N16058BDxSFx2K Key 16120
	125 1702-503	1	Cam 1.1/4
	135 2600-162	1	Motor Assy 1HP Model 6300-9150
	145 2600-917	1	Jam Nut Magnet Subassy 910/915
	150 2902-006	3	Nut Nylon Lock 10-32
	155 2620-411	18	Nut Hex Flange Lock 5/16-18
	160 2902-003	20	Nut Nylon Lock 6-32
	165 2620-409	12	Nut Hex Flange Lock 1/4-20
	170 2600-962	1	Mount Plate PC Board Mod 9150
	175 1200-028	2	Outlet Snap-In Leviton 1306
	180 2600-957	1	Pulley 10 inch Aluminum Assy
	185 2600-848	2	Resistor Power 1 ohm 30 Watt
	190 2600-847	2	Resistor Power 1 ohm 65 watt
	195 2616-006	8	Screw Phillips Head 6-32x3/16
	200 2616-002	8	Screw Phillips Head 6-32 x 1/2
	205 2616-003	3	Screw Phillips Head 6-32x3/4SS
	210 2616-000	8	Screw Phillips Head 6-32 x 1/4
	215 2616-007	2	Screw Phillips Head 6-32x5/8"
	225 2616-051	2	Screw Phillips 10-32x3/8
	230 2616-052	1	Screw Phillips Head 10-32 x1/2
	235 2600-887	4	Screw Nylon Phillips 6-32x1/4"
	240 2600-904	1	Main Shaft Assembly
	245 2600-931	1	Bracket Shaft Support 915
	250 2600-860	1	Solenoid Lock Assy 91XX
	255 2600-446	1	Spring-Compression

275	2600-487	1 Bracket Solenoid Support
279	1812-005	1 Switch Push Button N.O.
280	1601-140	1 Switch Toggle 2 Pole On-Off
281	1506-071	1 Tone Generator Loud
282	4001-096	1 Transformer 460/230/208-115V
285	2901-002	1 Terminal 18 Pin
290	2600-886	2 Idler Wheel UHMW
294	2600-432	1 Marker Strip
295	3130-008	1 Terminal Block 5 pin
296	2600-840	2 Jumper- Ring Tongue #8 Screw
297	3129-005	1 Terminal Block Cover 5 Positio
300	2600-439	1 Washer Cup - Brass
305	2600-344	1 Washer 1 1/8"OD x 3/4"ID
310	2600-990	1 Washer Neoprene 1.5"x.725"x125
315	2600-345	1 Washer Hardened 1 1/4 x 3/4 ID
320	2620-035	1 Washer 4"ODx3/4"ID
325	2620-053	2 Lockwasher 5/16"
330	2600-619	9 Wire Clp-5/8" Concord 770-1209
335	2600-639	6 Wire Clamp-1"
340	2600-987	1 Wire Set 9150 Operator 1HP
341	7082-135	1 Wire 9" Red Stranded 14AWG
342	7082-136	1 Wire 9" Blue Stranded 14AWG
343	7082-137	1 Wire 5" Green Stranded 14AWG
344	7082-052	1 Wire 8" Green 16 AWG Stranded
345	1804-031	20 Tie Wrap 4"
350	2600-749	2 Wire Connector STA-KON RC6
355	4001-018	7 Weather Stripping 50' rolls
365	2599-008	1 Label Patent
370	2599-006	1 Decal SUPPLY GND
375	2599-014	1 Decal Copper Wire Only
380	2599-034	1 Label Gate Operator
390	2599-199	1 Label Universal
405	2599-100	2 Sign Warning