

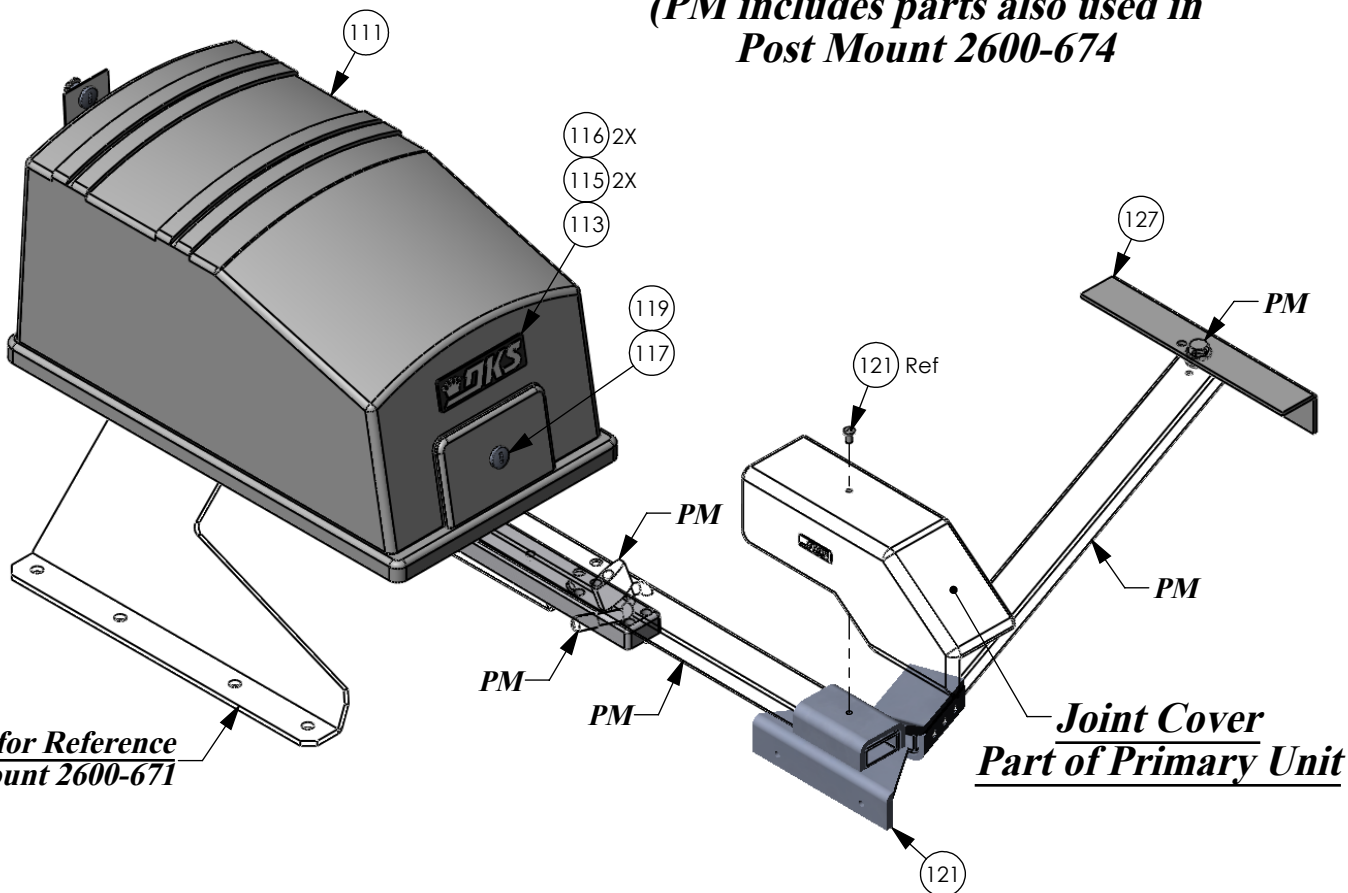
EO	REV	DESCRIPTION	Drawn	APPR
---	K	Added Item 202; Revised Items 151, 180 Was: 2616-016, 2902-007.	Sal 09/25/08	D.C. 09/25/08

Shown for Reference in Outline Form

Pad Mount 2600-671

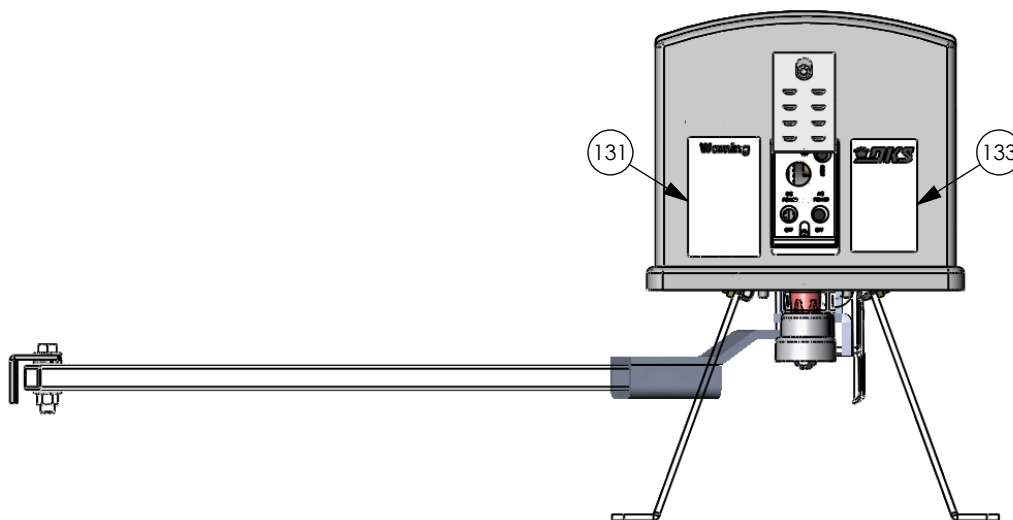
Callout=PM

***(PM includes parts also used in
Post Mount 2600-674***



***Shown for Reference
Pad Mount 2600-671***


***Joint Cover
Part of Primary Unit***



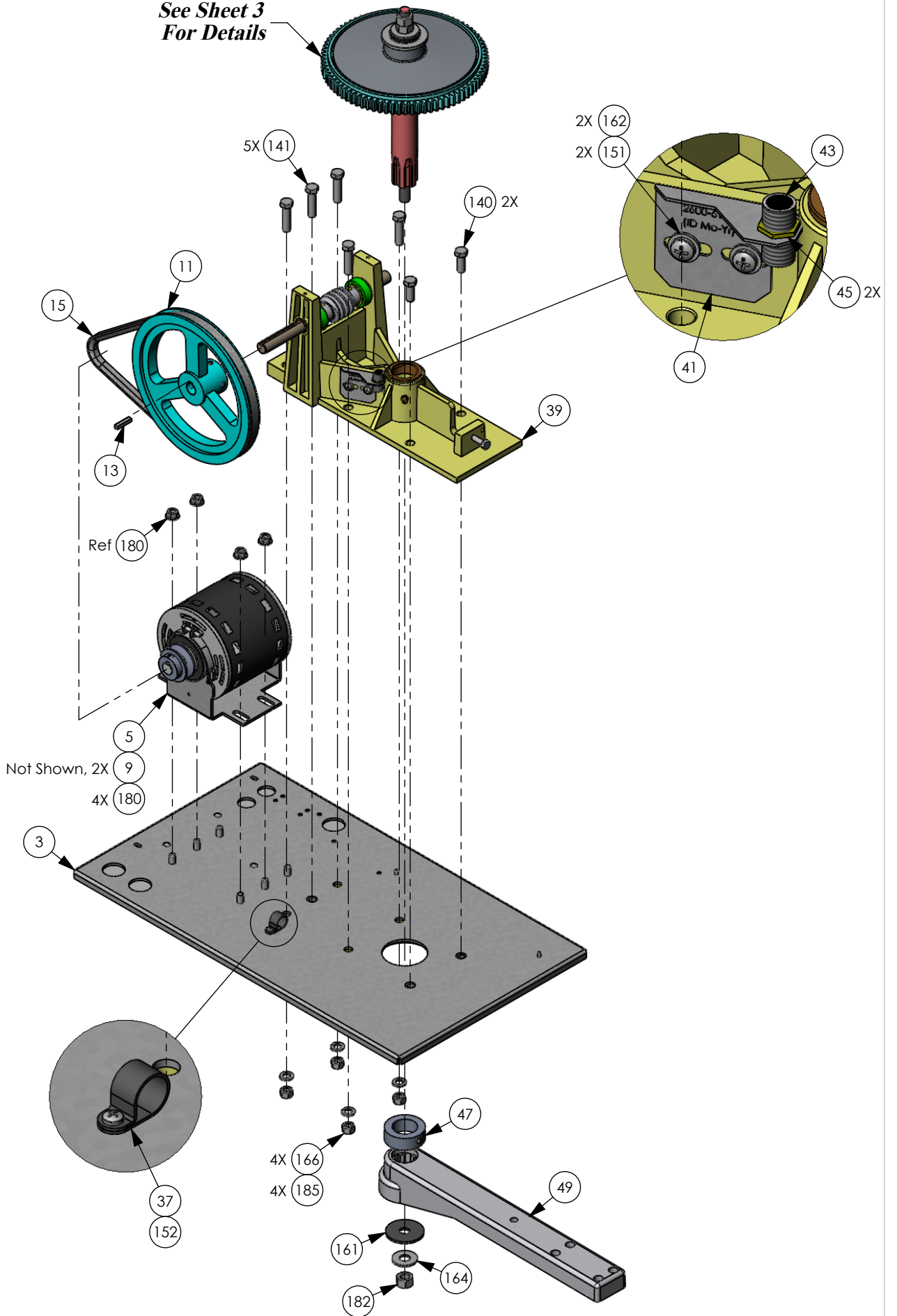
2. Items 200-209 Not Shown for Clarity.

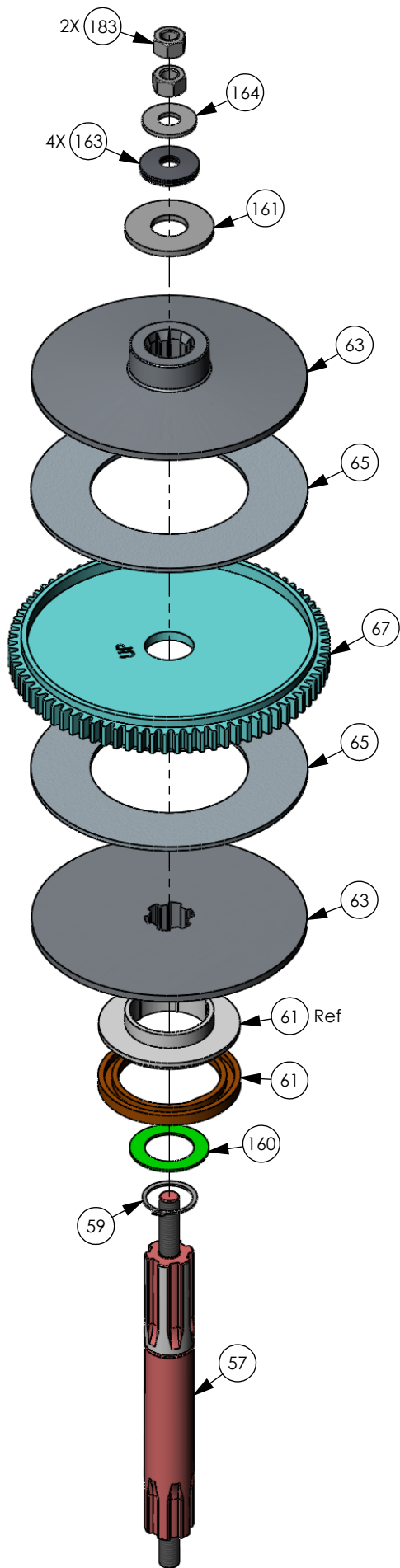
1. See attached reference sheet for BOM;
Reference Movex 6050-081 Rev K.

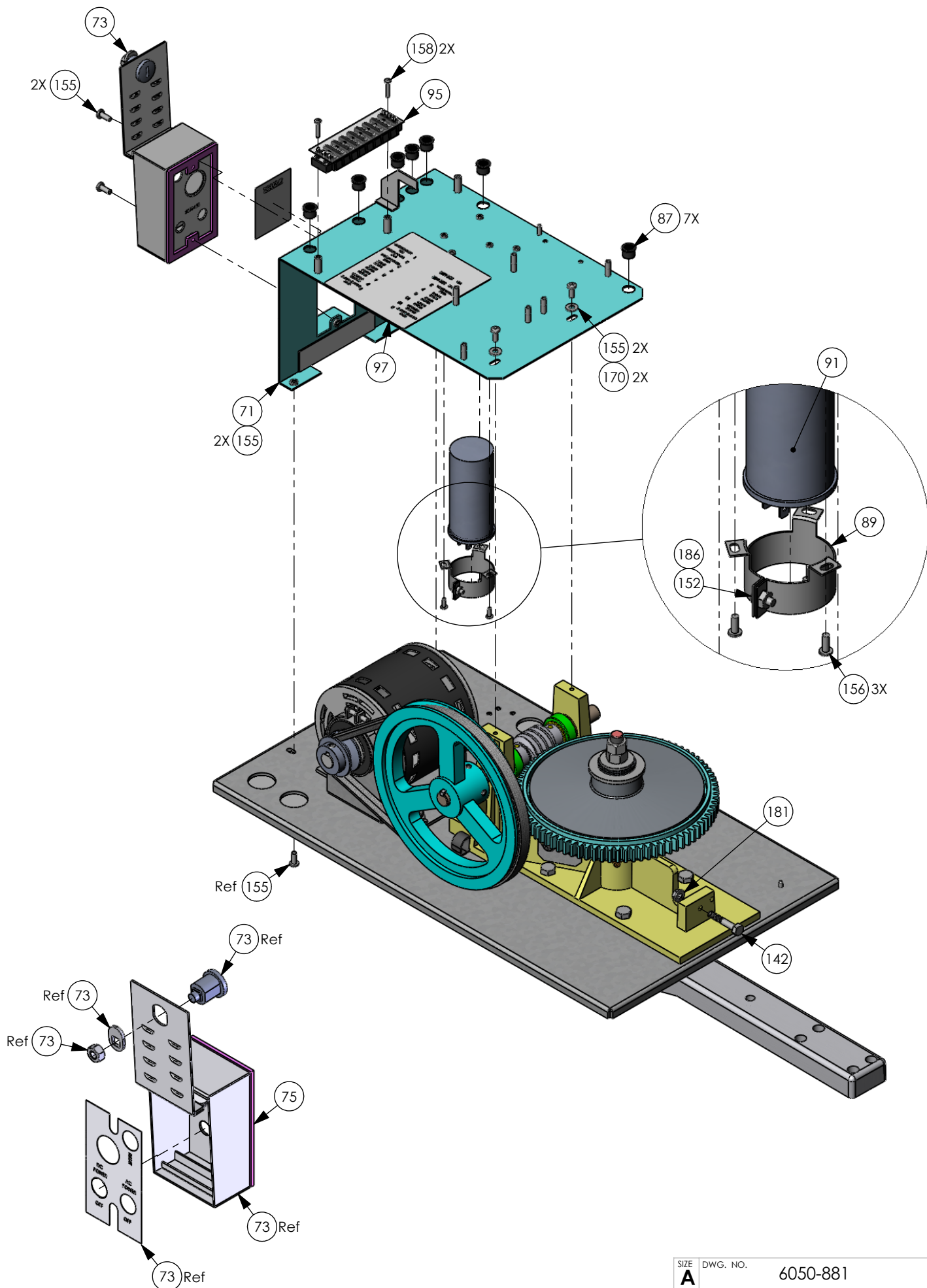
Notes: Unless Otherwise Specified.

PROPRIETARY AND CONFIDENTIAL		NAME	DATE
THE INFORMATION CONTAINED IN THIS DRAWING IS THE SOLE PROPERTY OF Door King. ANY REPRODUCTION IN PART OR AS A WHOLE WITHOUT THE WRITTEN PERMISSION OF Door King IS PROHIBITED.		DRAWN	Sal 08/13/08
		CHECKED	
		COMMENTS:	
		 IPB-Model 6050-081, 1/3 HP, Secondary	
		SIZE DWG. NO.	REV
		A 6050-881	K
		Scale: None	SHEET 1 OF 6

See Sheet 3
For Details







Item	Part Number	Qty	UM	Description	Rev
1	6050-881	1	EA	IPB-1/3 HP, Secondary	K
3	2600-643	1	EA	Baseplate 605/610 No Batt Back	
5	2600-126	1	EA	Motor Assembly 1/2 HPI	
9	1215-018	2	EA	Wire Nut #71B	
11	2600-567	1	EA	Pulley 7" Cast Iron AC70X5/8	
13	1601-019	1	EA	Keyway 3/16 x 3/16 x 1	
15	2600-086	1	EA	Belt - 28"	
37	2600-619	1	EA	Wire Clip-5/8" Concord 770-1209	
39	6100-040	1	EA	Housing Assembly 6100	
41	2600-613	1	EA	Bracket Magnetic Ctr Potted	
43	3004-010	1	EA	Magnetic Counter Threaded	
45	3004-051	2	EA	Nut Panel 1/4-18	
47	2600-061	1	EA	Collar 2 OD x 1 1/4 ID x 5/8 L	
49	2600-779	1	EA	Swing Crank Arm Extended	
57	2600-675	1	EA	Shaft Assembly 605/610	
59	2630-010	1	EA	Snap Ring 1.25"	
61	2600-360	1	EA	Counter Wheel Mag Assembly	
63	2600-680	2	EA	Clutch Plate 7"	
65	2801-002	2	EA	Clutch Pad 7" OD605/610,6100	
67	2600-323	1	EA	Worm Gear 80 Tooth Delrin	
71	2600-668	1	EA	Bracket 605/610 PCB Support	
73	2600-533	1	EA	Switch Cover Doorking Lockable	
75	2600-731	1	EA	Gasket Switch Cover	
83	2599-008	1	EA	Label Patent	
87	2600-820	7	EA	Bushing 1/2	
89	2600-239	1	EA	Capacitor Clamp VR6B	
91	2600-234	1	EA	Capacitor 30uf 370VAC	
95	3130-023	1	EA	Terminal Strip 8 Row Screw	
97	2599-064	1	EA	Label 6000 8 Terminal Mstr-Slv	
111	2600-721	1	EA	Cover-Model 6050/6100	
113	2600-732	1	EA	Nameplate Plastic DKS	
115	2802-040	2	EA	Washer Push on Clamp	
116	1897-052	2	EA	Gasket, Microphone Support	
117	1702-507	1	EA	Cam "J" Hook	
119	4001-035	1	EA	Lock N16058BDxSFx2K Key 16120	
121	2600-720	1	EA	Crank Arm Joint Assembly Blk	
127	2600-711	1	EA	Bracket 3/16 x 2 x 12	
131	2599-034	1	EA	Label Gate Operator	
133	2599-199	1	EA	Label Universal	
140	2615-052	2	EA	Bolt Hex Head 3/8-16 x 1	
141	2615-055	5	EA	Bolt Hex Head 3/8-16 x 1 1/2	
142	2615-008	1	EA	Bolt Hex Head 1/4-20 x 1 1/2	
151	2616-018	2	EA	Screw Phillips Head 8-32 x 1/2	
152	2616-017	2	EA	Screw Phillips Head 8-32 x 3/8	
155	2616-052	6	EA	Screw Phillips Head 10-32 x1/2	
156	2616-001	3	EA	Screw Phillips Head 6-32 x 3/8	

158	2616-003	2	EA	Screw Phillips Head 6-32 x 3/4
160	2620-220	1	EA	Washer 1.25 x 2 x .0625
161	2620-131	2	EA	Washer 1 7/8 OD x 1/2 ID 1/8 T
162	2802-003	2	EA	Washer #8 SAE
163	2600-183	4	EA	Washer Bellville 1.5 OD x .5 ID
164	2620-021	2	EA	Washer 1/2 SAE
166	2620-019	4	EA	Washer 3/8 SAE
170	2620-010	2	EA	Washer #10 SAE
180	2620-411	4	EA	Nut Hex Flange Lock 5/16-18
181	2620-409	1	EA	Nut Hex Flange Lock 1/4-20
182	2620-320	1	EA	Nut Center Lock 1/2-13
183	2620-420	2	EA	Nut Hex 1/2-13
185	2620-405	4	EA	Nut Hex 3/8-16
186	2620-401	1	EA	Nut Hex 8-32
200	1804-031	10	EA	Tie Wrap 4"
201	2600-698	1	EA	Wire Set Model 6050,6100,6300
202	2600-755	1	EA	Wire 9 Conductor Cable 30ft
209	2599-100	2	EA	Sign Warning