



# Section A4

This Price Schedule is effective March 4, 2024.  
**Accessories**

Date	Page	Comment
3-4-24	All	March 2024 Price Schedule update.
4-15-24	6	Price correction on Kiosks.



## Table of Contents

### Mounting Posts

Standard & Heavy-Duty Posts .....	4
Designer Style Posts .....	5
Kiosks .....	6

### Transformers

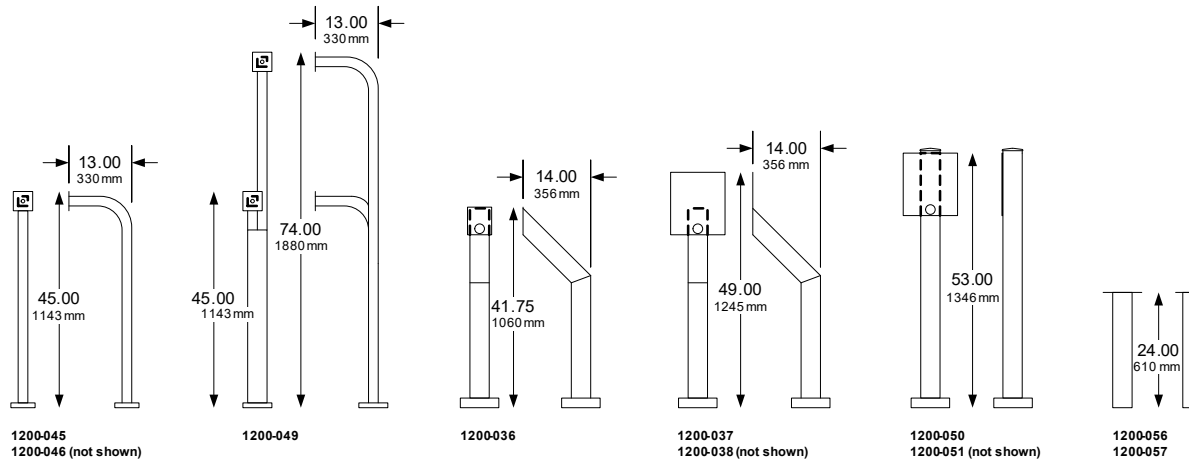
Transformer Box .....	7
Transformers .....	7

### Surge Suppressers / Timers

Surge Suppressers .....	8
7-Day Timer .....	8

## Mounting Posts

### Standard & Heavy-Duty Posts



#### Standard Posts<sup>1</sup>

1200-045 Pad Mount .....	364.00
1200-046 In-Ground Mount.....	364.00
1200-049 Dual Height Pad Mount.....	1,000.00

- Standard posts are constructed from 2 x 2 (51 mm) steel stock.
- In-ground mount posts do not have a baseplate and extend an additional 24 inches (610 mm) in length.

#### In-Ground Adapter

1200-057 (use with 1200-045).....	298.00
1200-056 (use with 1200-049).....	454.00

- In-ground adapters provide a mount for posts with a baseplate.

#### 1802 Adapter Plate

1802-111.....	216.00
---------------	--------

- Use this plate with when mounting 1802, 1802-EPD and 1819 systems to these posts.

Note 1: Standard posts are not suitable for use with 1833, 1834, 1835 or 1837 systems. Use the Heavy-Duty or Designer Style mounting posts for these systems.

#### Heavy-Duty Posts

1200-036 Pad Mount <sup>1</sup> .....	1,028.00
1200-037 Pad Mount .....	1,084.00
1200-038 In-Ground Mount.....	866.00
1200-050 Pad Mount .....	830.00
1200-051 In-Ground Mount .....	628.00

- Heavy-duty posts are constructed from 4 x 4 (102 mm) steel stock.
- In-ground mount posts do not have a baseplate and extend an additional 24 inches (610 mm) in length.

Note 1: Not for use with 1833, 1834, 1835 or 1837 systems.

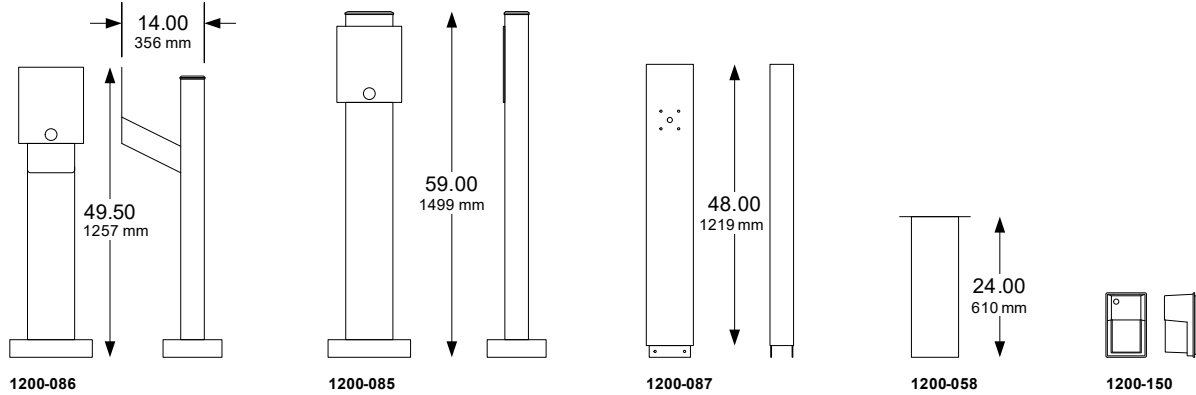
#### In-Ground Adapter

1200-056 (use with pad mount posts) .....	454.00
---	--------

- In-ground adapters provide a mount for posts with a baseplate.

# Mounting Posts

## Designer Style Mounting Posts

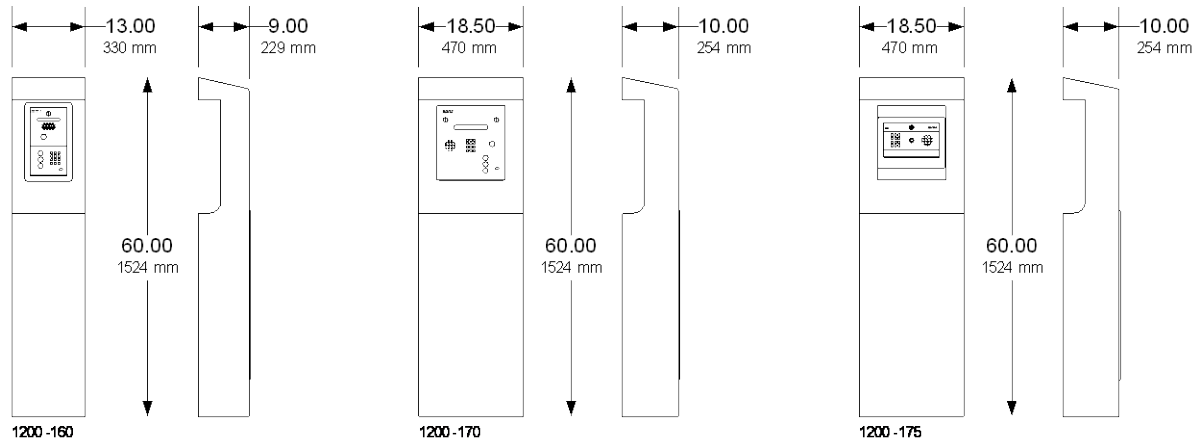


Designer Style Posts	
1200-085 Pad Mount.....	3,986.00
1200-086 Pad Mount.....	3,782.00
<ul style="list-style-type: none"> <li>Standard posts are constructed from 4 x 8 (102 mm x 203 mm) steel stock.</li> <li>Electrical compartment has four (4) accessory outlets and room for surge suppressers and RF receiver.</li> </ul>	
In-Ground Adapter	
1200-058 .....	928.00
<ul style="list-style-type: none"> <li>In-ground adapters provide a mount for posts with a baseplate.</li> </ul>	
1802 Adapter Plate	
1802-111 .....	216.00
<ul style="list-style-type: none"> <li>Use this plate with when mounting 1802, 1802-EPD and 1819 systems to these posts.</li> </ul>	

Accessories	
1200-087 Light Tower Extension.....	914.00
1200-150 Light Assembly .....	614.00
<ul style="list-style-type: none"> <li>Tower extension does not include light assembly.</li> <li>LED (120V) light with photocell for automatic dusk to dawn operation.</li> </ul>	
Replacement Post Cap	
1200-053.....	170.00

## Mounting Posts

### Kiosks



#### Kiosk Style Posts<sup>1</sup>

1200-160 .....6,990.00

- Use with 1802 and 1802-EPD flush mount systems only.

1200-170 .....7,400.00

- Use with 1803, 1810, 1833, 1834, 1835 and 1837 flush mount systems **80 Series systems only**.

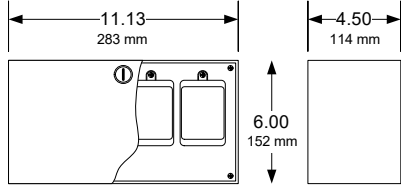
1200-175 .....7,290.00

- Use with 1812 Classic, 1812 Plus and 1812 Access Plus flush mount systems only.

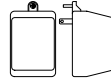
1. All kiosks include LED illumination and have an electrical compartment has four (4) accessory outlets and room for surge suppressers and RF receiver.

# Transformers

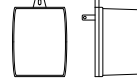
## 12, 16, 24 Volt AC & DC



1200-080



**20 VA Transformers**  
1804-059 24-Volt AC Output  
1804-060 16-Volt AC Output



**40 VA Transformer**  
1508-060 16-Volt AC Output



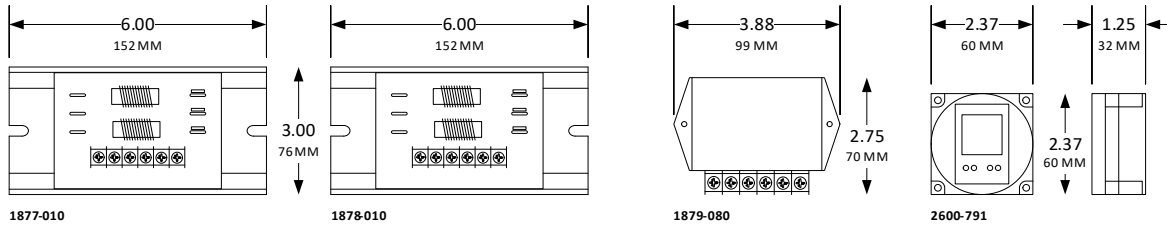
**DC Transformers - Regulated**  
1812-018 12-Volt 1A  
1812-136 24-Volt 1A

Transformer Box	
1200-080 .....	304.00
<ul style="list-style-type: none"> <li>• Holds up to four (4) 20-VA transformers.</li> <li>• Suitable for indoor or outdoor use.</li> </ul>	

<b>20-VA Transformers</b>	
1804-059 24-VAC .....	68.22
1804-060 16-VAC .....	68.22
<b>40-VA Transformers</b>	
1508-060 16-VAC .....	75.26
<b>DC Transformers - Regulated</b>	
1812-018 12-VDC, 1 A .....	64.00
1812-136 24-VDC, 1 A .....	83.62

## Accessories

### Timers / Surge Suppressors



<b>Surge Suppressors</b>	
1877-010 Phone Line .....	204.00
1878-010 Low Voltage (24 VAC) .....	204.00
1879-080 High Voltage (120 VAC).....	204.00

<b>7-Day Timer</b>	
2600-791 .....	330.00
<ul style="list-style-type: none"> <li>• 20 Programs.</li> <li>• 24 VAC.</li> <li>• Form C dry contact relay.</li> </ul>	