

Table of Contents

Card Readers

DK ProxPlus™ Secure Card Readers / M Series Card Readers (13.56 MHz).....	4
M Series Card Readers (13.56 MHz).....	6
DK Prox Card Readers (125 KHz).....	8
HID Card Readers (125 KHz).....	10
AWID Card Readers (125 KHz).....	12
ID-Teck Card Readers (125 KHz).....	14

Keypads

Digital Key Pads.....	16
-----------------------	----

RF Controls

MicroPlus® RF Controls.....	18
MicroClik® RF Controls.....	20

Smart Gate Controller

Smart Gate Switch.....	22
------------------------	----

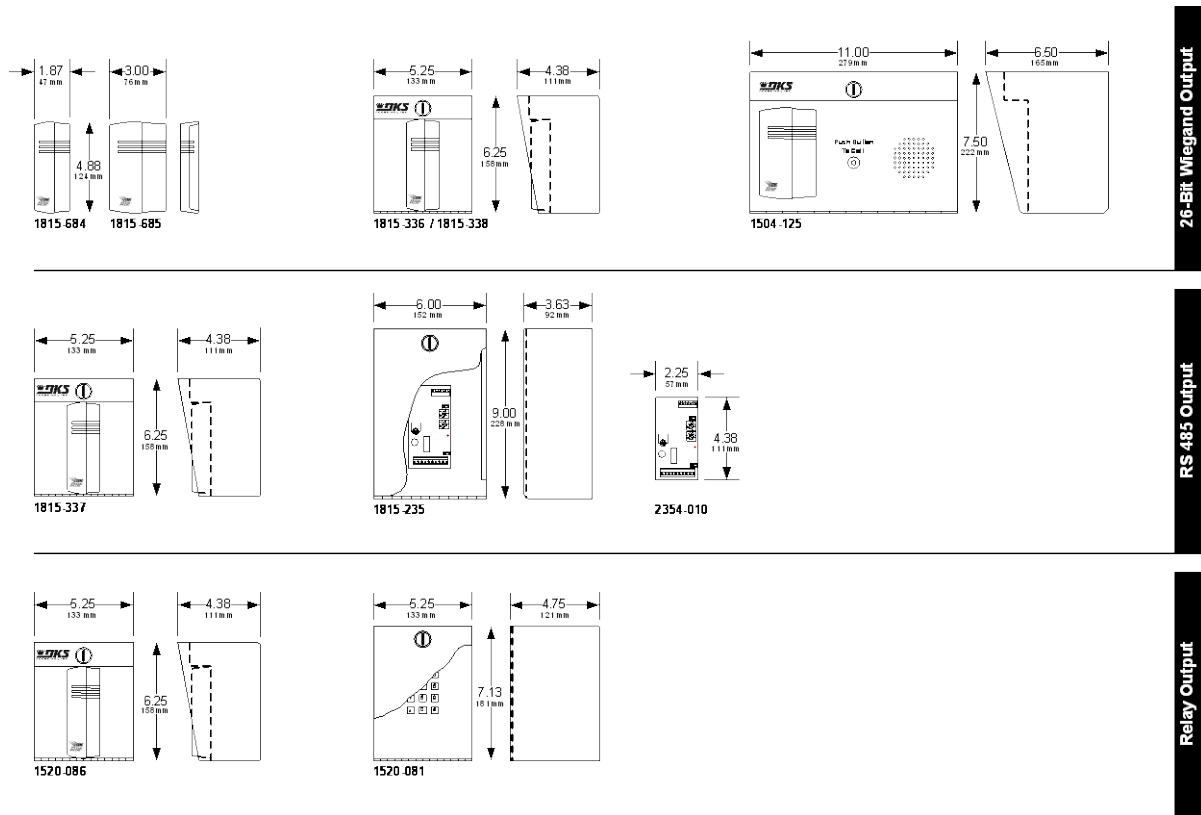
Miscellaneous Controls

Key Switches.....	23
Exit Push Buttons.....	24
Postal & Fire Department Lock Boxes.....	25

Door and Gate Locks

1200 Lb. Magnetic Door Locks.....	26
600 Lb. Magnetic Door Locks.....	27
300 Lb. Mini-locks, 2000 Lb. Shear Lock.....	28
1200 Lb, 600 Lb. Magnetic gate Locks.....	29
Electric Dead-bolts and Door Strikes.....	30

DK ProxPlus™ Secure Card Readers (13.56 MHz)



26-Bit Wiegand Output	
1815-684 ProxPlus Secure	210.00
1815-685 ProxPlus Secure	210.00
1815-336 (1815-684 w/enclosure)	366.00
1815-338 (1815-336 w/expansion board)	1,122.00
1504-125 (1815-685 w/intercom substation)	832.00
ProxPlus Secure card readers will read only ProxPlus Secure cards. They will not read other Mifare type cards.	

RS-485 Output (ACCESS PLUS ONLY)	
1815-337 ProxPlus Secure	596.00
1815-235 (2354-010 w/enclosure)	526.00
2354-010 (26-Bit Wiegand to RS-485 converter)	236.00
<ul style="list-style-type: none"> RS485 output is proprietary and will interface with Access Plus products only 	
Relay Output (Stand Alone)	
1520-086 ProxPlus Secure	1,052.00
1520-081 Controller only (add your own reader)	940.00

DK ProxPlus Secure Cards (13.56 MHz)

These cards will only work with ProxPlus Secure card readers (1815-684, 1815-685, 1815-337).

Factory Coded Cards - blocks of 50 only.

These cards are factory pre-coded. Card numbers may, or may not be in numerical sequence.

1508-252 Secure Cards	
50-100.....	9.78
150-500.....	9.38
550-950.....	8.98
1000+.....	8.58
1508-257 Secure Key Tags	
50-100.....	10.38
150-500.....	9.98
550-950.....	9.58
1000+.....	9.18

Custom Programmed Cards¹ - blocks of 100 only.

These cards include sequential coding, specific card numbers and specific start / stop numbering sequences.

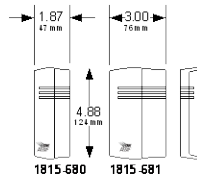
1508-250 Secure Cards	
100.....	11.66
200-500.....	11.26
600-900.....	10.86
1000+.....	10.46
1508-255 Secure Key Tags	
100.....	12.28
200-500.....	11.88
600-900.....	11.48
1000+.....	11.08

Note 1: Custom ordered cards cannot be returned for credit.

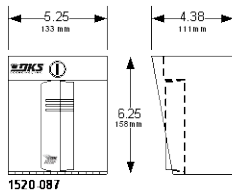
ProxPlus Secure Card Scanner¹	
1815-692 Reads ProxPlus Secure Cards	278.00
Use this card scanner when the card code is not printed on the card or the code has worn off the card. This scanner will read DK ProxPlus Secure cards only.	
Note 1: Requires card scanner software - free download: https://www.doorking.com/accessories/access-control-accessories/dkprox-card-identifier	

MicroPlus Transmitters w/ProxPlus Secure Tag	
The prices shown are for block-coded transmitters ordered in multiples of 10 only. Add \$3.70 per transmitter for any order specifying transmitter numbering sequence or facility codes.	
8069-088 1 Button w/DK ProxPlus Secure Tag	
10-30.....	56.50
40-100.....	54.50
110+.....	50.50
8070-088 2 Button w/DK ProxPlus Secure Tag	
10-30.....	59.00
40-100.....	57.00
110+.....	53.00
8071-088 3 Button w/DK ProxPlus Secure Tag	
10-30.....	61.50
40-100.....	59.50
110+.....	55.50
8096-088 4 Button w/DK ProxPlus Secure Tag	
10-30.....	64.00
40-100.....	62.00
110+.....	58.00

M Series Card Readers (13.56 MHz)



26-Bit Wiegand Output



Relay Output

26-Bit Wiegand Output	
1815-680 M Series	268.00
1815-681 M Series	268.00
<p>M Series readers are designed to work with other Mifare brand 4 or 7 byte cards. These readers will not read the card number printed on the card – the reader will only read the Universal ID (UID) number of the card and convert this number to a 26-bit Wiegand code. This will require the use of a card scanner (1815-690) to obtain the proper 26-bit Wiegand code.</p> <p>These readers will not read ProxPlus Secure cards.</p>	

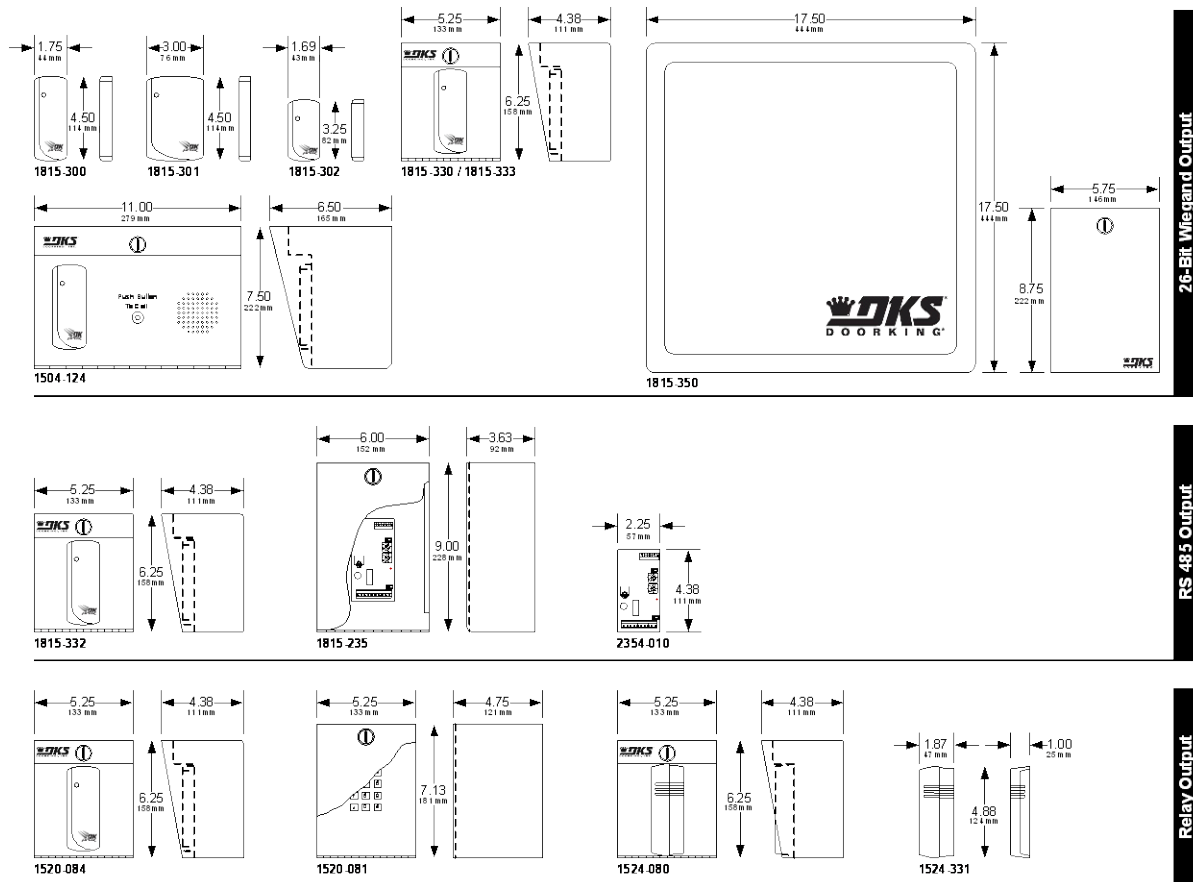
Relay Output (Stand Alone)	
1520-087 M Series	1,110.00

M Series Card Scanner (13.56 MHz)

DoorKing does not sell cards that are compatible with other Mifare type card readers.

<p>Mifare Card Scanner¹ 1815-690 Reads Mifare Cards.....278.00 Use this card scanner when the Wiegand card code is not printed on the card or the code has worn off the card. This scanner will read Mifare Classic 4 or 7 byte cards and show the equivalent Wiegand code.</p> <p>Note 1: Requires card scanner software - free download: https://www.doorking.com/accessories/access-control-accessories/dkprox-card-identifier</p>
--

DK Prox Card Readers (125 KHz)



26-Bit Wiegand Output	
1815-300 Up to 3-inch range	176.00
1815-301 Up to 4-inch range	176.00
1815-302 Up to 2-inch range	176.00
1815-330 (1815-300 reader w/enclosure)	334.00
1815-333 (1815-330 w/expansion board)	1,088.00
1504-124 (1815-300 w/intercom substation)	798.00
26-Bit Wiegand Output - Automatic Vehicle ID System	
1815-350 Up to 25-foot range	3,840.00
RS-485 Output (ACCESS PLUS ONLY)	
1815-332 Up to 3-inch range	578.00
1815-235 (2354-010 w/enclosure)	526.00
2354-010 (26-Bit Wiegand to RS-485 converter)	236.00
<ul style="list-style-type: none"> RS485 output is proprietary and will interface with Access Plus products only 	

Relay Output (Stand Alone)	
1520-084	1,020.00
1520-081 Controller only	940.00
<ul style="list-style-type: none"> 1520 reader/controller can store up to 1000 card codes 3600 event history buffer Built-in programming keypad Timed anti-pass back, hold open time zones 	
1524-080 (1524-331 w/enclosure)	614.00
1524-331	454.00
1815-340 Replacement Programmer	74.68
<ul style="list-style-type: none"> 1524 reader can store up to 1000 card codes Use 1815-340 hand held programmer to add / delete individual cards or blocks of cards 	

DK Prox Cards (125 KHz)

Standard Cards - blocks of 50 only.

These cards are factory pre-coded. Card numbers may, or may not be, in numerical sequence.

1508-120 Clamshell Cards

50-100.....	6.60
150-500.....	6.20
550-950.....	5.80
1000+.....	5.40

1508-121 ISO Graphics Cards

50-100.....	9.14
150-500.....	8.74
550-950.....	8.34
1000+.....	7.94

1508-123 Key Tags

50-100.....	9.78
150-500.....	9.38
550-950.....	8.98
1000+.....	8.58

1508-130 ProxDot

50-100.....	6.60
150-500.....	6.20
550-950.....	5.80
1000+.....	5.40

Special Order Cards¹ - blocks of 100 only.

These cards include sequential coding, specific card numbers and specific start / stop numbering sequences.

1508-127 Clamshell Cards

100.....	9.78
200-500.....	9.38
600-900.....	8.98
1000+.....	8.58

1508-128 ISO Graphics Cards

100.....	12.26
200-500.....	11.86
600-900.....	11.46
1000+.....	11.06

1508-129 Key Tags

100.....	12.90
200-500.....	12.50
600-900.....	12.10
1000+.....	11.70

Note 1: Special orders cannot be returned for credit.

DKProx Card Scanner¹

1815-640 Reads 125 KHz Cards.....	164.00
-----------------------------------	--------

Card Scanner is used when the card code is not printed on the card or the code has worn off the card.

Note 1: Requires DKProx card scanner software - free download:

<http://www.doorking.com/accessories/access-control-accessories/dkprox-card-identifier>

Automatic Vehicle ID Systems

UHF DK Prox Cards

These cards are factory pre-coded. Card numbers may, or may not be, in numerical sequence.

1508-191 ISO Card UHF Only ¹	15.66
1508-198 ISO Card UHF/DK Prox Dual Tech ¹	18.52
1815-318 Windshield Holder.....	5.70
1815-319 Rearview Mirror Holder.....	5.70

1508-191 can only be used with 1815-350 card reader. 1508-198 dual technology card can be used with both 1815-350 and all other DK Prox card readers.

Note 1: Quantity discounts available. Contact the Sales Department.

UHF DK Prox Cards – Special Order¹

These cards include sequential coding, specific card numbers and specific start / stop numbering sequences.

1508-190 ISO Card UHF Only ²	18.52
1508-197 ISO Card UHF/DK Prox Dual Tech ²	21.32
1815-318 Windshield Holder.....	5.70
1815-319 Rearview Mirror Holder.....	5.70

1508-190 can only be used with 1815-350 card reader. 1508-197 dual technology cards can be used with both 1815-350 and all other DK Prox card readers.

Note 1: Special orders cannot be returned for credit.

Note 2: Quantity discounts available. Contact the Sales Department.

1508-195 Windshield/Headlight Tag^{1,2}

1-50.....	17.06
51-150.....	16.26
151-500.....	15.46
501-999.....	14.66
1000+.....	13.86

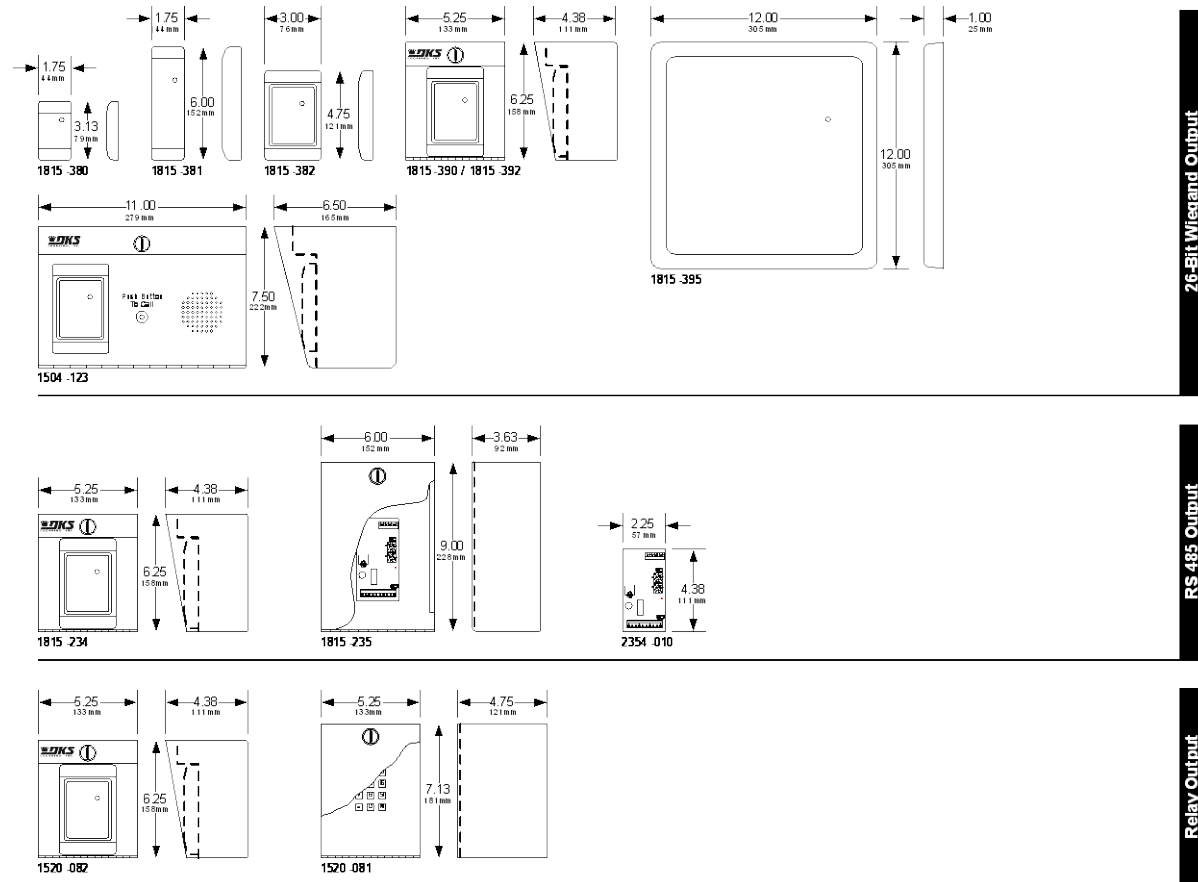
1508-199 License Plate Tag¹

1-50.....	17.06
51-150.....	16.26
151-500.....	15.46
501-999.....	14.66
1000+.....	13.86

Note 1: 1508-195 and 1508-199 can only be used with 1815-350 card reader.

Note 2: It is illegal to place a tag on a headlight in some states. Check with the state Department of Transportation before ordering tags intended to be placed on headlights.

HID Proximity Card Readers (125 KHz)



26-Bit Wiegand Output	
1815-380 (ProxPoint Plus) Up to 3-inch range.....	422.00
1815-381 (MiniProx) Up to 5-inch range	830.00
1815-382 (ThinLine) Up to 5-inch range	796.00
1815-390 (1815-382 reader w/enclosure).....	1,016.00
1815-392 (1815-390 w/expansion board)	1,592.00
1504-123 (1815-382 w/intercom substation).....	1,038.00
1815-395 (MaxiProx) Up to 6-foot range.....	2,508.00
RS-485 Output (ACCESS PLUS ONLY)	
1815-234 (ThinLine) Up to 5-inch range	1,194.00
1815-235 (2354-010 w/enclosure)	526.00
2354-010 (26-Bit Wiegand to RS-485 converter).....	236.00
<ul style="list-style-type: none"> RS485 output is proprietary and will interface with Access Plus products only 	

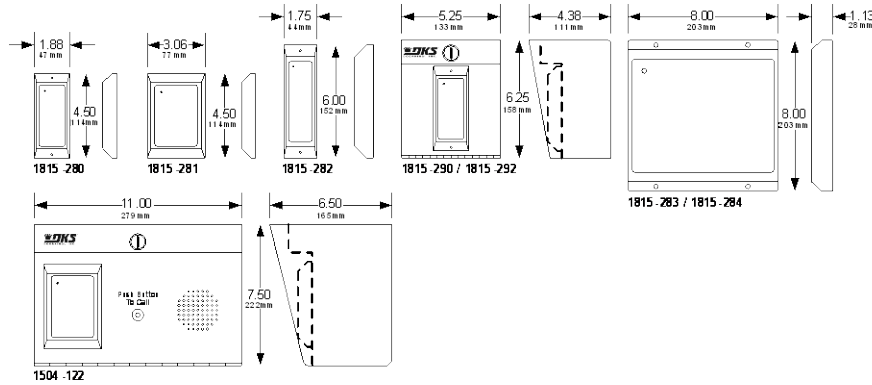
Relay Output (Stand Alone)	
1520-082.....	1,376.00
1520-081 Controller only	940.00
<ul style="list-style-type: none"> 1520 reader/controller can store up to 1000 card codes 3600 event history buffer Built-in programming keypad Timed anti-pass back, hold open time zones 	

HID Prox Cards (125 KHz)

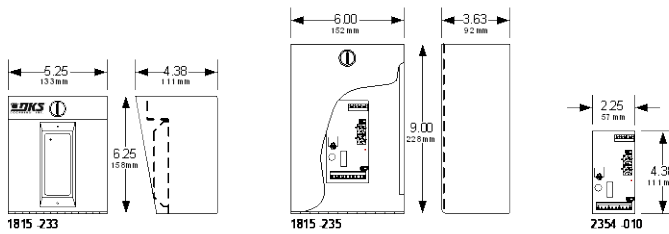
Minimum order for HID cards is 100. Cards are sold in blocks of 50 only. Special order cards are sold in blocks of 100 only.

<p>HID Prox Cards These cards are factory pre-coded. Card numbers may, or may not be, in numerical sequence.</p> <p>1508-018 ProxCard Clamshell Cards</p> <p>100 9.78 150-500 9.38 550-950 8.98 1000+ 8.58</p> <p>1508-017 Prox ISO Graphics Cards</p> <p>100 16.08 150-500 15.68 550-950 15.28 1000+ 14.88</p> <p>1508-016 ProxKey Key Tags</p> <p>100 17.40 150-500 17.00 550-950 16.60 1000+ 16.20</p>	<p>HID Prox Cards - Special Order¹ These cards include sequential coding, specific card numbers and specific start / stop numbering sequences.</p> <p>1508-143 ProxCard Clamshell Cards</p> <p>100 12.90 200-500 12.50 600-900 12.10 1000+ 11.70</p> <p>1508-144 Prox ISO Graphics Cards</p> <p>100 18.54 200-500 18.14 600-900 17.74 1000+ 17.34</p> <p>1508-145 ProxKey Key Tags</p> <p>100 19.16 200-500 18.76 600-900 18.36 1000+ 17.96</p> <p>1508-014 ProxPass Active Tags (use with 1815-395 only)</p> <p>1-9 124.00 10-30 121.00 40-100 118.00 110-490 115.00 500+ 112.00</p> <p>Note 1: Special orders cannot be returned for credit.</p>
---	--

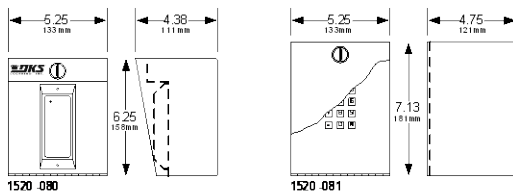
AWID Proximity Card Readers (125 KHz)



26-Bit Wiegand Output



RS-485 Output



Relay Output

26-Bit Wiegand Output

1815-280 (SR 2400) Up to 4-inch range	282.00
1815-281 (SP 6820) Up to 8-inch range	508.00
1815-282 (MM 6800) Up to 2-inch range	508.00
1815-290 (1815-280 reader w/enclosure).....	516.00
1815-292 (1815-290 w/expansion board)	1,096.00
1815-283 (MR 1824) Up to 24 inch range.....	1,020.00
1815-284 (MR 1824 MC) Up to 16 inch range	1,254.00
1504-122 (1815-281 w/intercom substitution).....	902.00

RS-485 Output (ACCESS PLUS ONLY)

1815-233 Up to 3-inch range	690.00
1815-235 (2354-010 w/enclosure).....	526.00
2354-010 (26-Bit Wiegand to RS-485 converter)	236.00

- RS485 output is proprietary and will interface with Access Plus products only

Relay Output (Stand Alone)

1520-080.....	1,130.00
1520-081 Controller only	940.00

- 1520 reader/controller can store up to 1000 card codes
- 3600 event history buffer
- Built-in programming keypad
- Timed anti-pass back, hold open time zones

AWID Prox Cards (125 KHz)

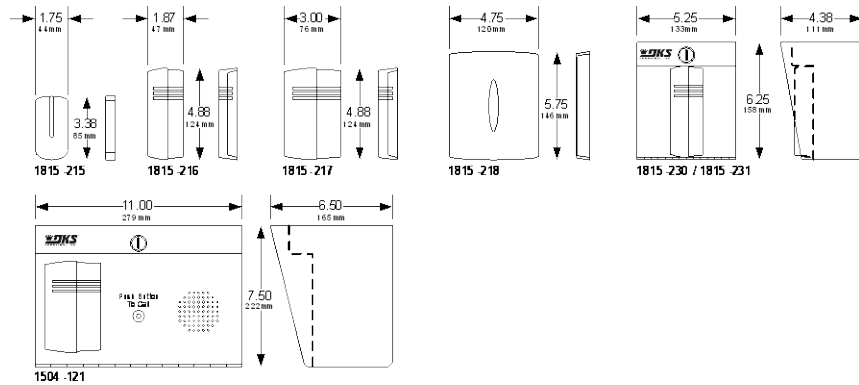
Cards are sold in blocks of 50 only.

Special order cards are sold in blocks of 100 only.

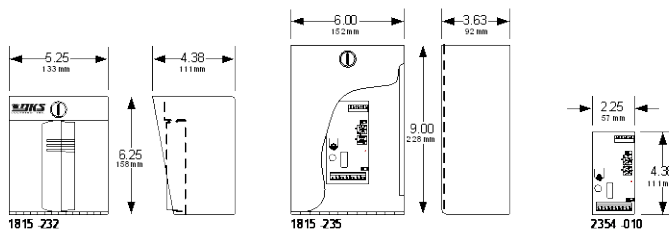
AWID Prox Cards	
These cards are factory pre-coded. Card numbers may, or may not be, in numerical sequence.	
1508-020 Prox-Linc Clamshell Cards	
50-100	8.16
150-500	7.76
550-950	7.36
1000+	6.96
1508-021 Prox-Linc GR ISO Graphics Cards	
50-100	12.20
150-500	12.00
550-950	11.60
1000+	11.20
1508-022 Prox-Linc KT Key Tags	
50-100	13.16
150-500	12.76
550-950	12.36
1000+	11.96

AWID Prox Cards - Special Order¹ (minimum 100)	
These cards include sequential coding, specific card numbers and specific start / stop numbering sequences.	
1508-132 Prox-Linc Clamshell Cards	
100	11.30
200-500	10.90
600-900	10.50
1000+	10.10
1508-133 Prox-Linc GR ISO Graphics Cards	
100	15.56
200-500	15.16
600-900	14.76
1000+	14.36
1508-134 Prox-Linc KT Key Tags	
100	16.28
200-500	15.88
600-900	15.48
1000+	15.08
Note 1: Special orders cannot be returned for credit.	

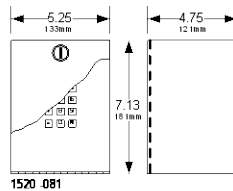
ID-Teck Proximity Card Readers (125 KHz)



26-Bit Wiegand Output



RS-485 Output



Relay Output

26-Bit Wiegand Output

1815-215 (RF Tiny) Up to 3-inch range	344.00
1815-216 (RF 10) Up to 3-inch range	344.00
1815-217 (RF 20) Up to 3-inch range	344.00
1815-218 (RF 30) Up to 12 inch range	842.00
1815-230 (1815-216 reader w/enclosure)	418.00
1815-231 (1815-230 w/expansion board)	1,076.00
1504-121 (1815-217 w/intercom substation)	914.00

RS-485 Output (ACCESS PLUS ONLY)

1815-232 Up to 3-inch range	658.00
1815-235 (2354-010 w/enclosure)	526.00
2354-010 (26-Bit Wiegand to RS-485 converter)	236.00

- RS485 output is proprietary and will interface with Access Plus products only

Relay Output (Stand Alone)

1520-081 Controller only	940.00
--------------------------------	--------

- 1520 reader/controller can store up to 1000 card codes
- 3600 event history buffer
- Built-in programming keypad
- Timed anti-pass back, hold open time zones

ID-Teck Prox Cards (125 KHz)

Note: cards will work with the following ID-Teck Prox readers only:
1815-215, 1815-216, 1815-217, 1815-218, 1815-230, 1815-231, 1504-121

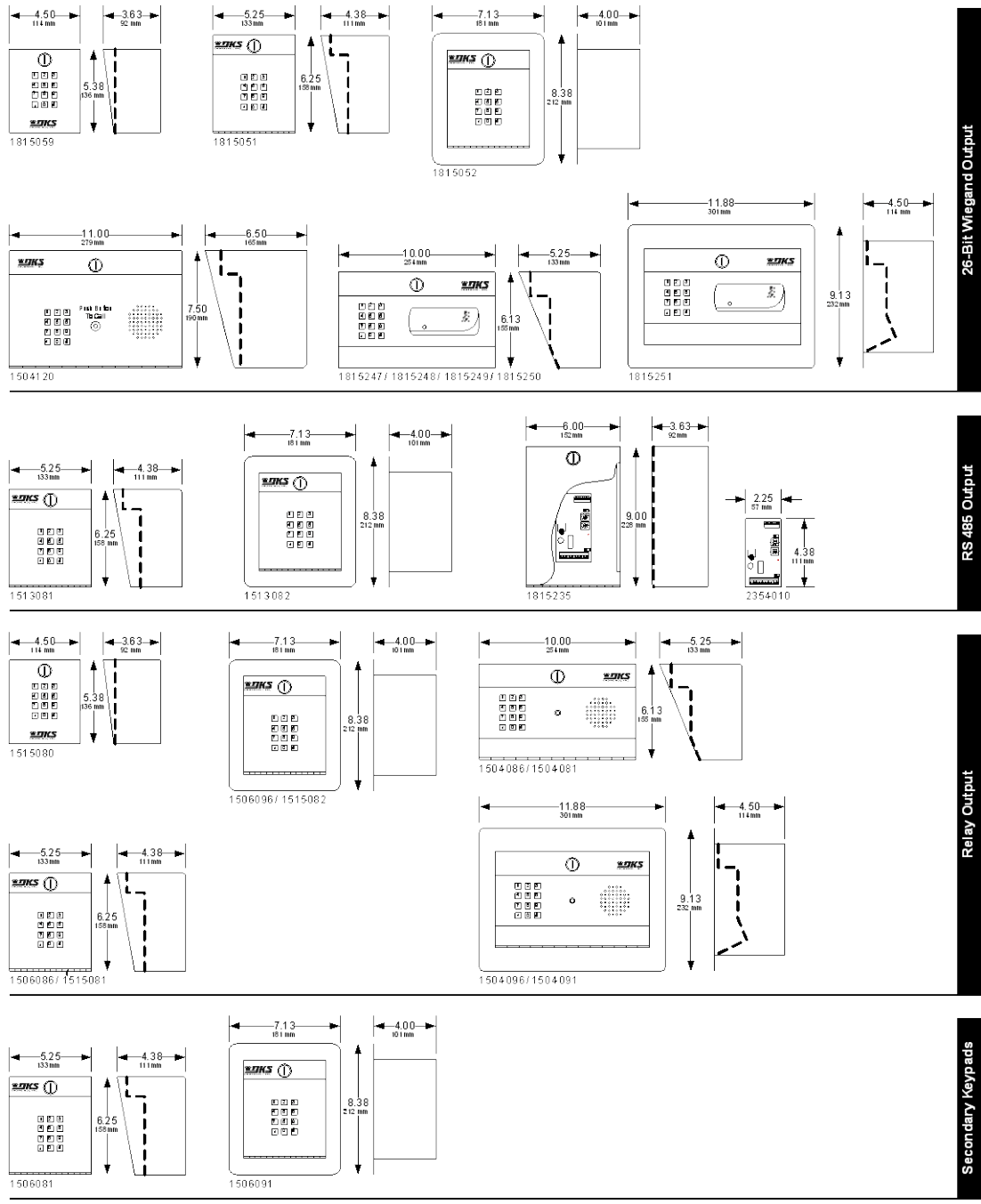
Cards are sold in blocks of 50 only.

ID-Teck Prox Cards	
These cards are factory pre-coded. Card numbers may, or may not be, in numerical sequence.	
1508-110 RF 170 Clamshell Cards	
50-100.....	10.92
150-500.....	10.52
550-950.....	10.12
1000+.....	9.72
1508-111 RF 80 ISO Graphics Cards	
50-100.....	16.44
150-500.....	16.04
550-950.....	15.64
1000+.....	15.24
1508-112 RF 50 Key Tags	
50-100.....	17.48
150-500.....	17.08
550-950.....	16.68
1000+.....	16.28

Special order cards are sold in blocks of 100 only.

ID-Teck Prox Cards - Special Order¹	
These cards include sequential coding, specific card numbers and specific start / stop numbering sequences.	
1508-136 RF 170 Clamshell Cards	
100.....	14.04
200-500.....	13.64
600-900.....	13.24
1000+.....	12.84
1508-137 RF 80 ISO Graphics Cards	
100.....	19.76
200-500.....	19.36
600-900.....	18.96
1000+.....	18.56
1508-138 RF 50 Key Tags	
100.....	20.80
200-500.....	20.40
600-900.....	20.00
1000+.....	19.60
Note 1: Special orders cannot be returned for credit.	

Keypads



Keypads

26-Bit Wiegand Output

These keypads must be connected to a 26-bit wiegand controller, such as the DK 1830 Series. They are not stand-alone devices.

1815-059 Surface Mount536.00

- Low power solar mode.
- NFC (Android app only)

1815-051 Surface Mount692.00
 1815-052 Flush Mount.....954.00

1504-120 Surface Mount w/intercom substation1,050.00

1815-247 Surface Mount1,348.00

- Keypad with ID Tech (1815-216) card reader.

1815-248 Surface Mount1,398.00

- Keypad with AWID (1815-281) card reader.

1815-249 Surface Mount1,556.00

- Keypad with HID (1815-382) card reader.

1815-250 Surface Mount1,290.00

- Keypad with DK Prox (1815-300) card reader.

1815-251 Flush Mount.....1,528.00

- Keypad with DK Prox (1815-300) card reader.

RS-485 Output (ACCESS PLUS ONLY)

These keypads must be connected to a RS-485 controller, such as the DK Access Plus Series. They are not stand-alone devices.

1513-081 Surface Mount708.00

1513-082 Flush Mount.....878.00

1815-235 (2354-010 w/enclosure)526.00

2354-010 (26-Bit Wiegand to RS-485 converter)236.00

- RS485 output is proprietary and will interface with Access Plus products only

Relay Output (Stand Alone)

These keypads use a dry relay(s) contact and are designed to be used as a stand-alone device.

1506-086 Surface Mount 864.00

1506-096 Flush Mount..... 1,140.00

1504-086 Surface Mount w/intercom substation 1,070.00

1504-096 Flush Mount w/intercom substation..... 1,316.00

- 2 Form C dry contact relays.
- 1000 four (4) digit entry codes.
- 6 five (5) digit entry codes.
- Hold open codes.
- Time zone inputs.

1515-080¹ Surface Mount 508.00

1515-081 Surface Mount 676.00

1515-082 Flush Mount..... 986.00

1504-081 Surface Mount w/intercom substation 870.00

1504-091 Flush Mount w/intercom substation..... 1,084.00

- 1 Form C dry contact relay.
- 400 four (4) or five (5) digit entry codes.
- Hold open codes.
- Low power solar mode.

1. Includes NFC programming with DK Manager app, Android only (Free from Google Play store).

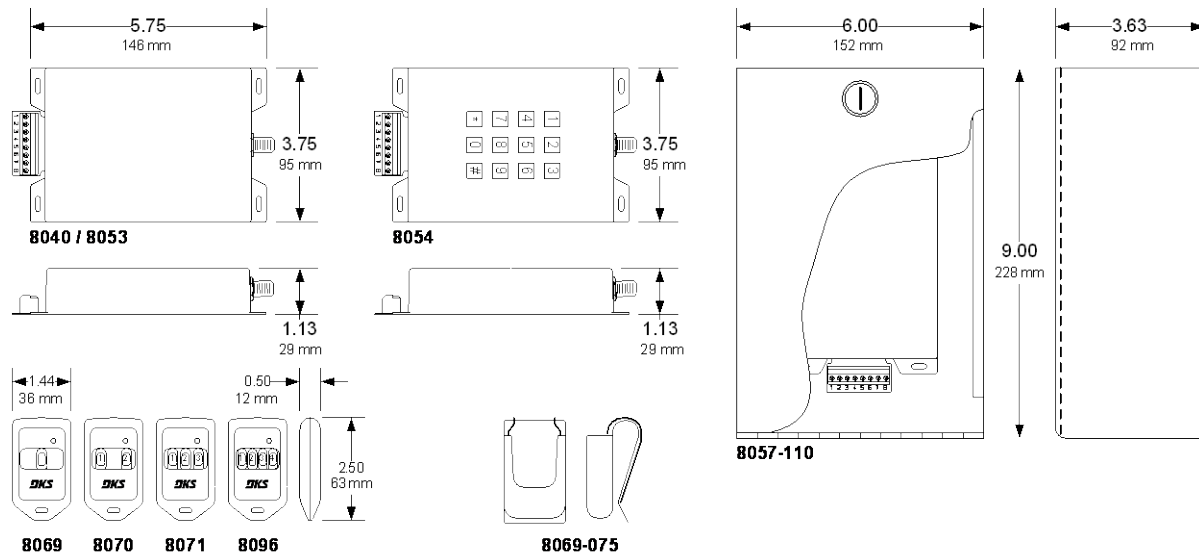
Secondary Keypad

These keypads can only be used with DK telephone entry systems.

1506-081 Surface Mount 578.00

1506-091 Flush Mount..... 998.00

MICROPLUS® RF Controls



26-Bit Wiegand Output	
8040-080	254.00
<ul style="list-style-type: none"> • 5300 Transmitter codes. • 26, 30 or 31-bit wiegand format. 	
8040-090	254.00
<ul style="list-style-type: none"> • 5300 Transmitter codes. • 26, 30 or 31-bit wiegand format. • Compatible with Elite Series¹ DT-418 transmitters. 	
1. Elite Series is a registered trademark of The Chamberlain Group, Inc.	
RS-485 Output (ACCESS PLUS ONLY)	
8053-080	282.00
<ul style="list-style-type: none"> • 5300 Transmitter codes. • RS485 output is proprietary and will interface with Access Plus products only 	
MicroPlus Visor Clips (Black)	
8069-075	
1-30	5.14
31-100	4.64
101+	4.14

Relay Output (Stand Alone)	
8040-080 100 Transmitter codes	254.00
<ul style="list-style-type: none"> • Program via the “learn” method. • Individual codes cannot be deleted. 	
8054-081 50 Transmitter codes	508.00
8054-082 100 Transmitter codes	592.00
8054-083 250 Transmitter codes	676.00
8054-084 500 Transmitter codes	762.00
8054-085 1000 Transmitter codes	850.00
8054-086 1250 Transmitter codes	932.00
<ul style="list-style-type: none"> • Built-in time clock, 10 programmable time zones. • 2300 event history buffer. • Can be connected to a serial printer. 	
Receiver Accessories	
8057-110 Lockable outdoor enclosure.....	284.00
1514-073 Coax Antenna kit	75.26
8052-080 Antenna Amplifier 318 MHz.....	312.00

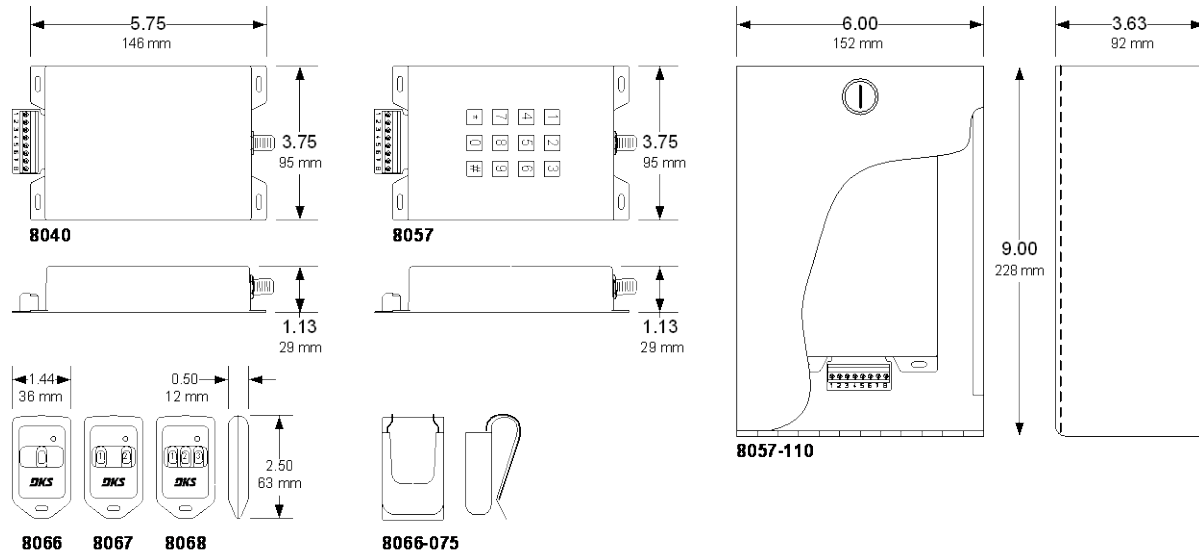
MICROPLUS® Transmitters / PROXMTR® (Transmitter w/proximity card reader built-in)

IMPORTANT! The prices shown are for block-coded transmitters ordered in multiples of 10 only. Add \$3.70 per transmitter for any order specifying transmitter numbering sequence or facility codes.

8069-080 1 Button	
10-30.....	45.50
40-100.....	43.50
110+.....	39.50
8070-080 2 Button	
10-30.....	48.00
40-100.....	46.00
110+.....	42.00
8071-080 3 Button	
10-30.....	50.50
40-100.....	48.50
110+.....	44.50
8096-080 4 Button	
10-30.....	53.00
40-100.....	51.00
110+.....	47.00
8069-082 1 Button w/AWID Tag	
10-30.....	56.50
40-100.....	54.50
110+.....	50.50
8070-082 2 Button w/AWID Tag	
10-30.....	59.00
40-100.....	57.00
110+.....	53.00
8071-082 3 Button w/AWID Tag	
10-30.....	61.50
40-100.....	59.50
110+.....	55.50
8096-082 4 Button w/AWID Tag	
10-30.....	64.00
40-100.....	62.00
110+.....	58.00
8069-084 1 Button w/HID Tag	
10-30.....	56.60
40-100.....	54.50
110+.....	50.50
8070-084 2 Button w/HID Tag	
10-30.....	59.00
40-100.....	57.00
110+.....	53.00
8071-084 3 Button w/HID Tag	
10-30.....	61.50
40-100.....	59.50
110+.....	55.50
8096-084 4 Button w/HID Tag	
10-30.....	64.00
40-100.....	62.00
110+.....	58.00

8069-086 1 Button w/IDTeck Tag	
10-30.....	56.50
40-100.....	54.50
110+.....	50.50
8070-086 2 Button w/IDTeck Tag	
10-30.....	59.00
40-100.....	57.00
110+.....	53.00
8071-086 3 Button w/IDTeck Tag	
10-30.....	61.50
40-100.....	59.50
110+.....	55.50
8096-086 4 Button w/IDTeck Tag	
10-30.....	64.00
40-100.....	62.00
110+.....	58.00
8069-087 1 Button w/DK Prox Tag	
10-30.....	56.50
40-100.....	54.50
110+.....	50.50
8070-087 2 Button w/DK Prox tag	
10-30.....	59.00
40-100.....	57.00
110+.....	53.00
8071-087 3 Button w/DK Prox Tag	
10-30.....	61.50
40-100.....	59.50
110+.....	55.50
8096-087 4 Button w/DK Prox Tag	
10-30.....	64.00
40-100.....	62.00
110+.....	58.00
8069-088 1 Button w/DK ProxPlus Secure Tag	
10-30.....	56.50
40-100.....	54.50
110+.....	50.50
8070-088 2 Button w/DK ProxPlus Secure Tag	
10-30.....	59.00
40-100.....	57.00
110+.....	53.00
8071-088 3 Button w/DK ProxPlus Secure Tag	
10-30.....	61.50
40-100.....	59.50
110+.....	55.50
8096-088 4 Button w/DK ProxPlus Secure Tag	
10-30.....	64.00
40-100.....	62.00
110+.....	58.00

MICROCLI[®]K RF Controls



26-Bit Wiegand Output

8040-080254.00

- 5300 Transmitter codes.
- 26, 30 or 31-bit wiegand format.

8040-090254.00

- 5300 Transmitter codes.
- 26, 30 or 31-bit wiegand format.
- Compatible with Elite Series¹ DT-418 transmitters.

1. Elite Series is a registered trademark of The Chamberlain Group, Inc.

MicroClik Visor Clips (Gray)

8066-075

1-305.14

31-1004.64

101+4.14

Relay Output (Stand Alone)

8040-080 100 Transmitter codes 254.00

- Program via the “learn” method.
- Individual codes cannot be deleted.

8057-081 50 Transmitter codes 422.00

8057-082 100 Transmitter codes 508.00

8057-083 250 Transmitter codes 586.00

8057-084 500 Transmitter codes 676.00

8057-085 1000 Transmitter codes 762.00

8057-086 5000 Transmitter codes 850.00

8057-088 16,000 Transmitter codes 932.00

- Built-in time clock, 10 programmable time zones.
- 2300 event history buffer.
- Can be connected to a serial printer.

Receiver Accessories

8057-110 Lockable outdoor enclosure 284.00

1514-073 Coax Antenna kit 75.26

8052-080 Antenna Amplifier 318 MHz 312.00

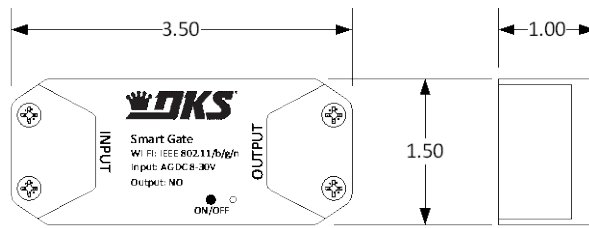
MICROCLI[®]K Transmitters / PROXMTR[®] (Transmitter w/proximity card reader built-in)

IMPORTANT! The prices shown are for block-coded transmitters ordered in multiples of 10 only. Add \$3.70 per transmitter for any order specifying transmitter numbering sequence or facility codes.

8066-080 1 Button		8066-084 1 Button w/IDTeck Tag	
10-30	48.00	10-30.....	59.00
40-100	46.00	40-100.....	57.00
110+.....	42.00	110+.....	53.00
8067-080 2 Button		8067-084 2 Button w/IDTeck Tag	
10-30	50.50	10-30.....	61.50
40-100	48.50	40-100.....	59.50
110+.....	44.50	110+.....	55.50
8068-080 3 Button		8068-084 3 Button w/IDTeck Tag	
10-30	53.00	10-30.....	64.00
40-100	51.00	40-100.....	62.00
110+.....	47.00	110+.....	58.00
8066-082 1 Button w/AWID Tag		8066-085 1 Button w/DK Prox Tag	
10-30	59.00	10-30.....	59.00
40-100	57.00	40-100.....	57.00
110+.....	53.00	110+.....	53.00
8067-082 2 Button w/AWID Tag		8067-085 2 Button w/DK Prox Tag	
10-30	61.50	10-30.....	61.50
40-100	59.50	40-100.....	59.50
110+.....	55.50	110+.....	55.50
8068-082 3 Button w/AWID Tag		8068-085 3 Button w/DK Prox Tag	
10-30	64.00	10-30.....	64.00
40-100	62.00	40-100.....	62.00
110+.....	58.00	110+.....	58.00
8066-083 1 Button w/HID Tag		8066-086 1 Button w/DK ProxPlus Tag	
10-30	59.00	10-30.....	59.00
40-100	57.00	40-100.....	57.00
110+.....	53.00	110+.....	53.00
8067-083 2 Button w/HID Tag		8067-086 2 Button w/DK ProxPlus Tag	
10-30	61.50	10-30.....	61.50
40-100	59.50	40-100.....	59.50
110+.....	55.50	110+.....	55.50
8068-083 3 Button w/HID Tag		8068-086 3 Button w/DK ProxPlus Tag	
10-30	64.00	10-30.....	64.00
40-100	62.00	40-100.....	62.00
110+.....	58.00	110+.....	58.00

8072-080 1 Button 418 MHz	
10-30.....	62.50
40-100.....	60.50
110+.....	56.60
8073-080 2 Button 418 MHz	
10-30.....	65.00
40-100.....	63.00
110+.....	59.00
8074-080 3 Button 418 MHz	
10-30.....	67.50
40-100.....	65.50
110+.....	61.50

Smart Gate Controller



1800-500

Smart Gate Switch

1800-500158.00

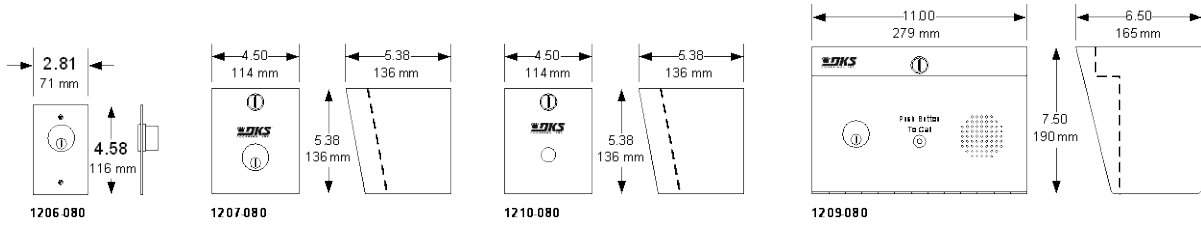
- Gate magnet position sensor¹
- N.O. switch output
- 8-30 VAC/VDC
- 2.4 GHz WiFi IEEE 802.11b/g/n²

1. Must be installed to enable gate (open/close) status
2. Smart gate switch requires a WiFi connection.

DKS Smart Connect app

- iOS or Android
- Free on App Store and Google Play
- Open and Close your gate
- Show gate status (open or close)
- Setup open and close notifications
- Setup schedules
- View open / close history log
- Works with Alexa, Google Home and Siri

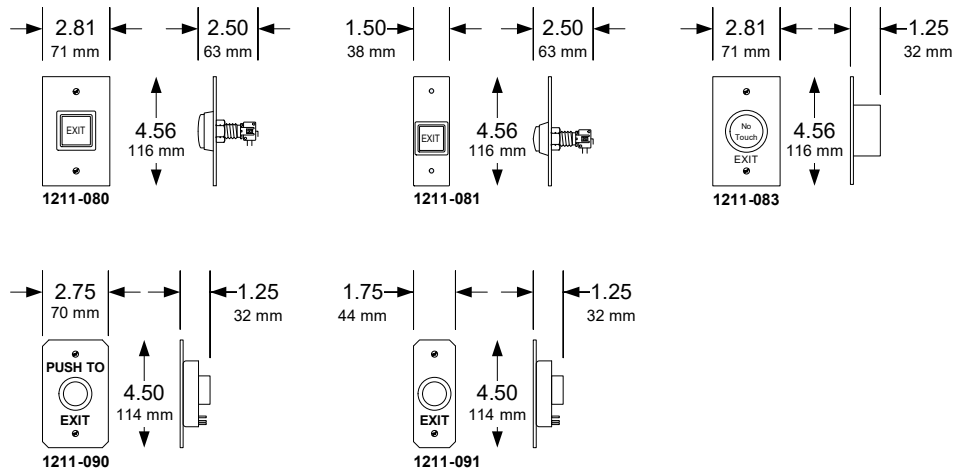
Key Switches



Mortise Key Cylinder	
1206-080.....	246.00
<ul style="list-style-type: none"> • N.O. or N.C. operation. • Mounts in single-gang electric box. • Indoor use only. 	
1207-080.....	354.00
<ul style="list-style-type: none"> • N.O. or N.C. operation. • Surface mount non-lighted enclosure. • Indoor or outdoor use. 	
1209-080.....	674.00
<ul style="list-style-type: none"> • N.O. or N.C. operation. • Surface mount lighted enclosure. • Indoor or outdoor use. • Intercom substitution. 	

Ace Key Cylinder	
1210-080.....	342.00
<ul style="list-style-type: none"> • N.O. or N.C. operation. • Surface mount non-lighted enclosure. • Indoor or outdoor use. 	

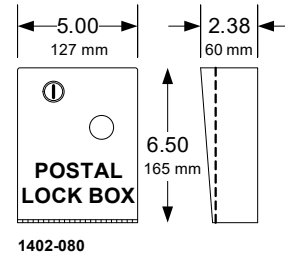
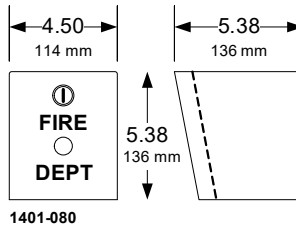
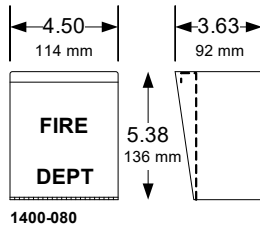
Push Buttons



Push Button Switch	
1211-080	96.40
<ul style="list-style-type: none"> • Stainless steel faceplate. • Mounts in single-gang electric box. • Requires 12-VDC power to illuminate exit button. • Indoor use only. 	
1211-081	77.12
<ul style="list-style-type: none"> • Stainless steel faceplate. • Mullion mount. • Requires 12-VDC power to illuminate exit button. • Indoor use only. 	
1211-083	140.00
<ul style="list-style-type: none"> • No Touch exit button. • Stainless steel faceplate. • Mounts in single-gang electric box. • Requires 12-VDC power. • Indoor use only. 	

Piezoelectric Switch	
1211-090	468.00
<ul style="list-style-type: none"> • Vandal resistant stainless steel faceplate. • Selectable illumination status (red, green). • Mounts in single-gang electric box. • Requires 12-24 VDC power. 	
1211-091	484.00
<ul style="list-style-type: none"> • Vandal resistant stainless steel faceplate. • Selectable illumination status (red, green). • Mullion mount. • Requires 12-24 VDC power. 	

Lock Boxes



Fire Department Lock Box

1400-080170.00

- Accepts Fire Department padlock.
- Surface or post mounted.
- Painted bright red.
- Constant contact switch when padlock is removed and the door is open.

1401-080210.00

- Accepts Knox 3501 key switch.
- Surface or post mounted.
- Faceplate painted bright red.

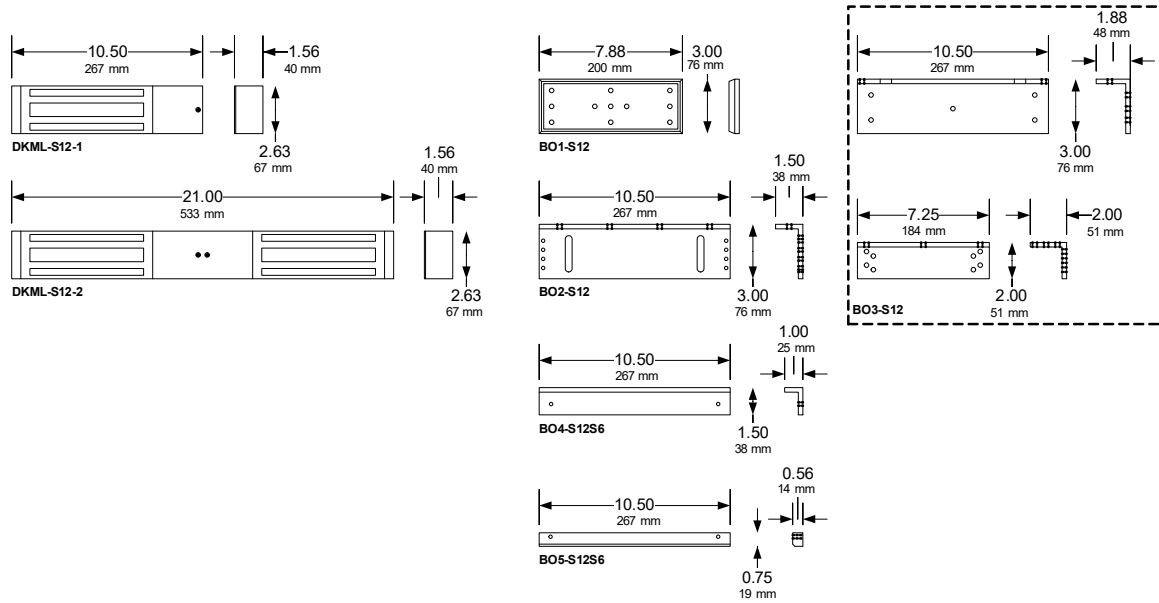
Postal Service Lock Box

1402-080..... 230.00

- Accepts standard postal key lock.
- Surface or post mount.
- Painted Postal blue.
- Postal lock can be installed to either activate a door or gate, or simply open the postal box.

Magnetic Door Locks

1200 Lb (544 Kg) Door Locks (Indoor Use Only)



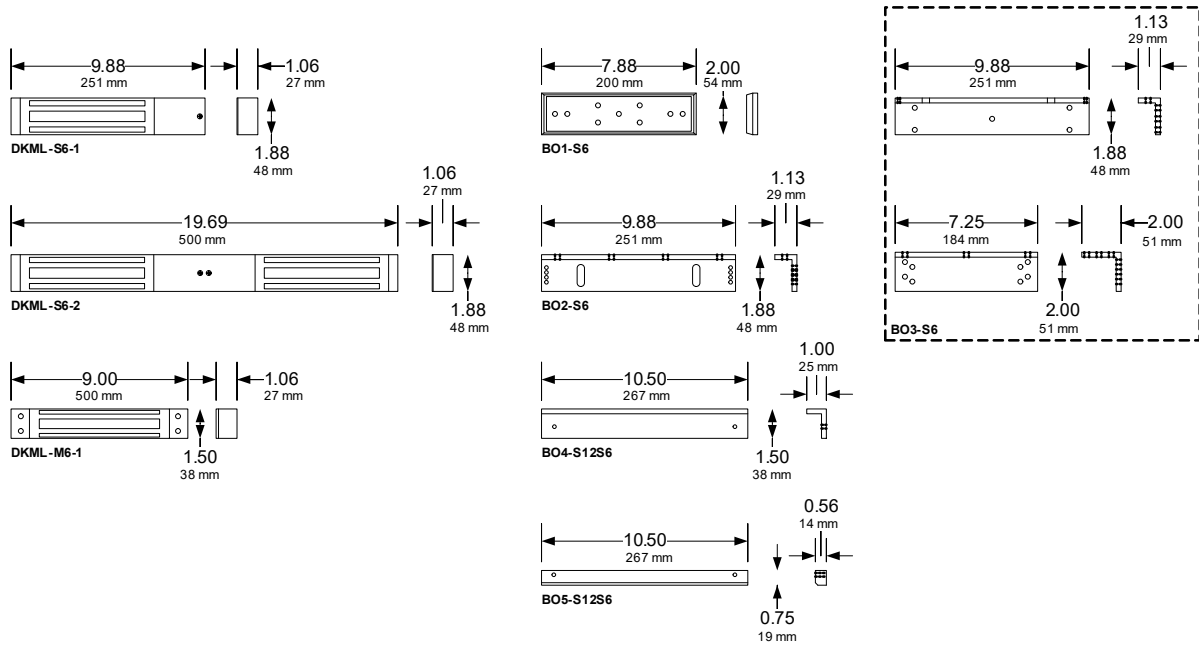
Single Door Locks Surface Mount	
DKML-S12-1	486.00
DKML-S12-1L	602.00
DKML-S12-1LT	636.00
Dual Door Locks Surface Mount	
DKML-S12-2	950.00
DKML-S12-2L	1188.00
DKML-S12-2LT	1246.00

- Locks operate on 12 or 24 Volt DC power.
- "L" includes LED status indicator.
- "T" includes built-in time delay.

Mounting Brackets	
BO1-S12 Armature Bracket	75.26
BO2-S12 L Bracket	75.26
BO4-S12S6 Angle Bracket	83.62
BO5-S12S6 Spacer Bar	67.66
BO3-S12 L & Z Bracket Kit	188.00
DC Lock Power Transformers	
1812-018 12 Volt, 1000 mA	64.00
1812-136 24 Volt, 1000 mA	83.62

Magnetic Door Locks

600 Lb (272 Kg) Door Locks (Indoor Use Only)



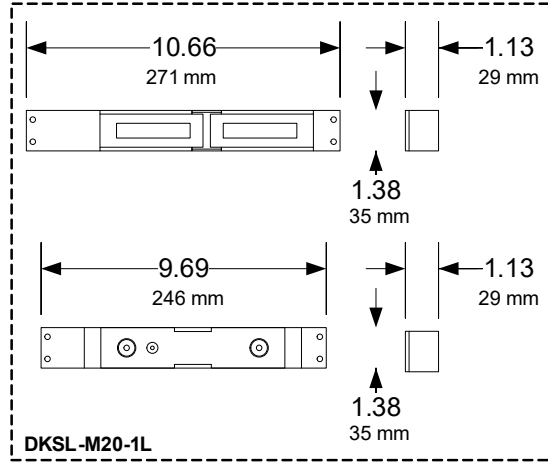
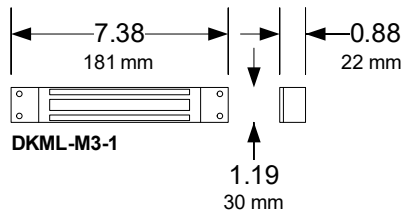
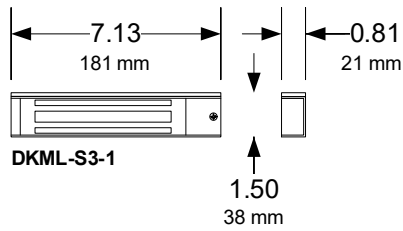
Single Door Locks Surface Mount	
DKML-S6-1	450.00
DKML-S6-1L	502.00
DKML-S6-1LT	552.00
Single Door Locks Mortise Mount	
DKML-M6-1	368.00
DKML-M6-1L	406.00
DKML-M6-1LT	440.00
Dual Door Locks Surface Mount	
DKML-S6-2	872.00
DKML-S6-2L	988.00
DKML-S6-2LT	1,070.00

- Locks operate on 12 or 24 Volt DC power.
- "L" includes LED status indicator.
- "T" includes built-in time delay.

Mounting Brackets	
BO1-S12 Armature Bracket	75.26
BO2-S12 L Bracket	75.26
BO4-S12S6 Angle Bracket	83.62
BO5-S12S6 Spacer Bar	67.66
BO3-S12 L & Z Bracket Kit	188.00
DC Lock Power Transformers	
1812-018 12 Volt, 1000 mA	64.00
1812-136 24 Volt, 1000 mA	83.62

Magnetic Door Locks

300 Lb (136 Kg) Mini-locks and 2000 Lb (907 Kg) Shear Lock (Indoor Use Only)



300 Lb. Door Locks

DKML-S3-1 Surface Mount	370.00
DKML-M3-1 Mortise Mount	370.00

2000 Lb. Shear Lock Surface Mount

DKSL-M20-1L	714.00
-------------------	--------

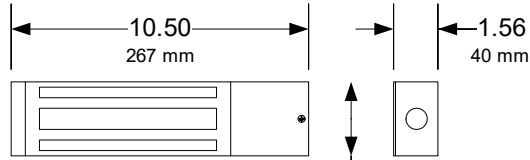
- Locks operate on 12 or 24 Volt DC power.
- Shear lock includes LED status indicator and built-in signal relay.

DC Lock Power Transformers

1812-018 12 Volt, 1000 mA.....	64.00
1812-136 24 Volt, 1000 mA.....	83.62

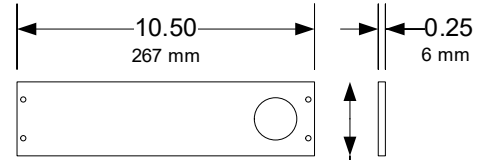
Magnetic Gate Locks

600 Lb (272 Kg) and 1200 Lb (544 Kg) Gate Locks



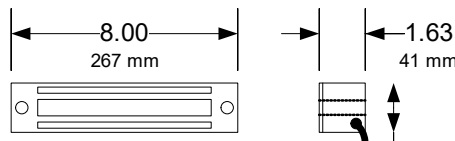
1216-080 / 1216-081
DKGL-S12-1 / DKGL-S12-1L

2.63
67 mm



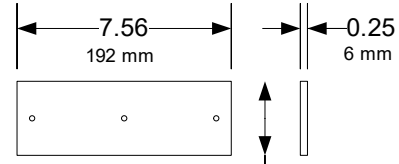
BO1-GL12

2.63
67 mm



DKGL-S6-1

1.75
44 mm



BO2-GL12

2.63
67 mm

1200 Lb. Gate Lock Kits Surface Mount

1216-080.....	620.00
1216-081.....	728.00

- 1216-081 has built-in signal relay.
- Kits include predrilled and tapped mounting brackets, BO1-GL12 and BO2-GL12.

1200 Lb. Gate Locks Top, Bottom or Face Mount

DKGL-S12-1.....	514.00
DKGL-S12-1L w/Signal Relay.....	632.00

600 Lb. Gate Lock Face Mount Only

DKGL-S6-1 w/Signal Relay.....	480.00
-------------------------------	--------

- Gate locks operate on 12 or 24 Volt DC power.

Mounting Brackets

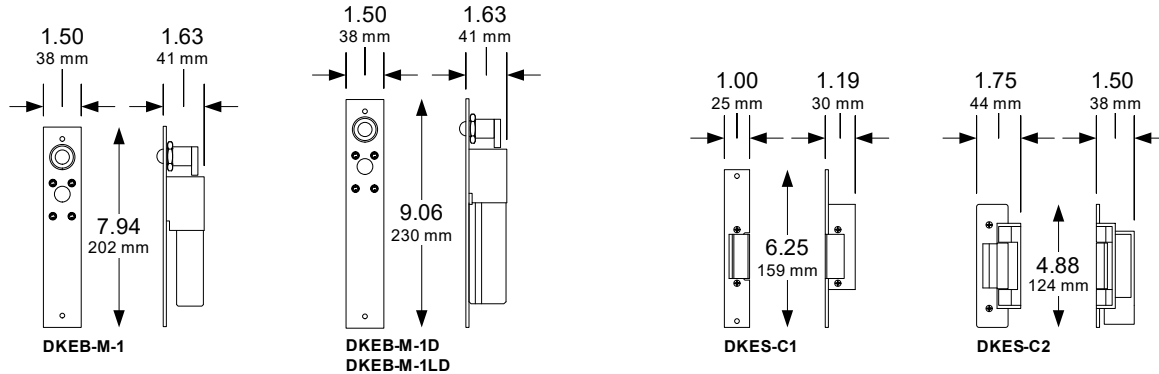
BO1-GL12 Lock Bracket.....	104.00
BO2-GL12 Armature Bracket.....	89.56

DC Lock Power Transformers

1812-018 12 Volt, 1000 mA.....	64.00
1812-136 24 Volt, 1000 mA.....	83.62

Electric Door Locks

Dead-bolts and Strikes



Dead-bolt Door Locks	
DKEB-M-1	526.00
DKEB-M-1D	552.00
DKEB-M-1LD	578.00

- "L" includes sensor to indicate locked or unlocked condition.
- "D" includes door sensor to indicate an open or closed door.

Electric Strikes 11/32 inch (8.74 mm) keeper	
DKES-C1-1FX	90.90
DKES-C1-1FS	94.08

Electric Strikes 20/32 inch (15.88 mm) keeper	
DKES-C2-1FX	114.00
DKES-C2-1FS	118.00

- FX = Fail Secure
- FS = Fail Safe

Blank Page

Blank Page