



Section A4

Product Reference Guide - June 2025.
Accessories

Date	Page	Comment
6-1-25	All	Reference Guide Published.

Table of Contents

Mounting Posts

Standard & Heavy-Duty Posts	4
Designer Style Posts	5
Kiosks	6

Transformers

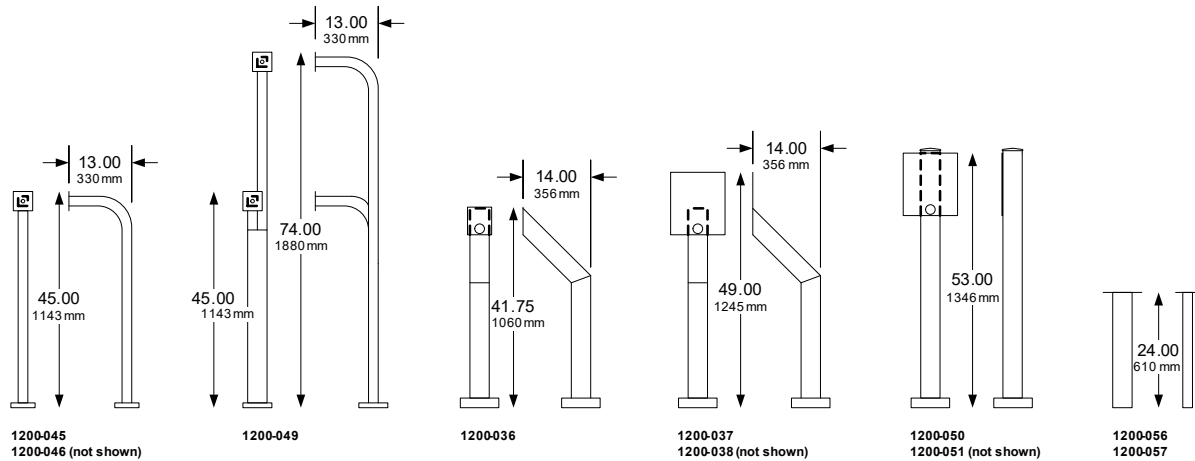
Transformer Box	7
Transformers	7

Surge Suppressers / Timers

Surge Suppressers	8
7-Day Timer	8

Mounting Posts

Standard & Heavy-Duty Posts



Standard Posts¹

1200-045 Pad Mount

1200-046 In-Ground Mount

1200-049 Dual Height Pad Mount

- Standard posts are constructed from 2 x 2 (51 mm) steel stock.
- In-ground mount posts do not have a baseplate and extend an additional 24 inches (610 mm) in length.

In-Ground Adapter

1200-057 (use with 1200-045)

1200-056 (use with 1200-049)

- In-ground adapters provide a mount for posts with a baseplate.

1802 Adapter Plate

1802-111

- Use this plate with when mounting 1802, 1802-EPD and 1819 systems to these posts.

Note 1: Standard posts are not suitable for use with 1833, 1834, 1835 or 1837 systems. Use the Heavy-Duty or Designer Style mounting posts for these systems.

Heavy-Duty Posts

1200-036 Pad Mount¹

1200-037 Pad Mount

1200-038 In-Ground Mount

1200-050 Pad Mount

1200-051 In-Ground Mount

- Heavy-duty posts are constructed from 4 x 4 (102 mm) steel stock.
- In-ground mount posts do not have a baseplate and extend an additional 24 inches (610 mm) in length.

Note 1: Not for use with 1833, 1834, 1835 or 1837 systems.

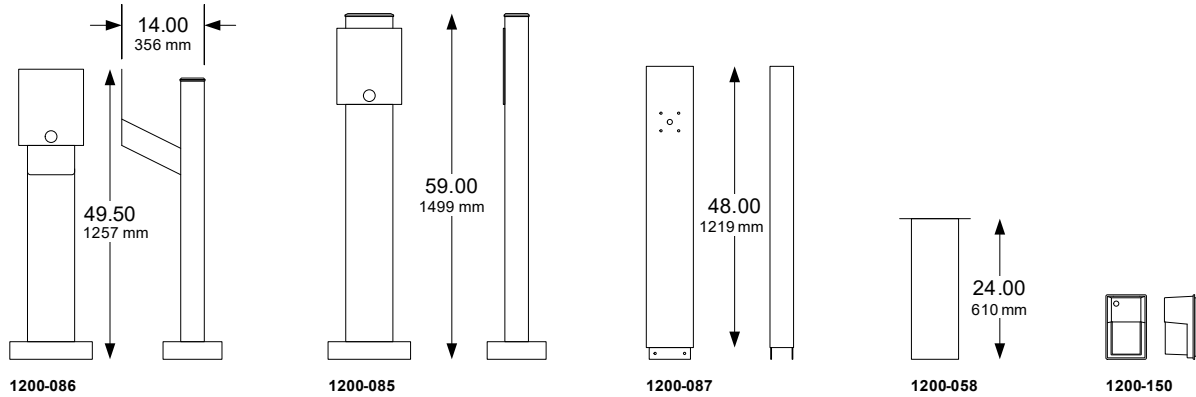
In-Ground Adapter

1200-056 (use with pad mount posts)

- In-ground adapters provide a mount for posts with a baseplate.

Mounting Posts

Designer Style Mounting Posts



Designer Style Posts

1200-085 Pad Mount

1200-086 Pad Mount

- Standard posts are constructed from 4 x 8 (102 mm x 203 mm) steel stock.
- Electrical compartment has four (4) accessory outlets and room for surge suppressers and RF receiver.

In-Ground Adapter

1200-058

- In-ground adapters provide a mount for posts with a baseplate.

1802 Adapter Plate

1802-111

- Use this plate with when mounting 1802, 1802-EPD and 1819 systems to these posts.

Accessories

1200-087 Light Tower Extension

1200-150 Light Assembly

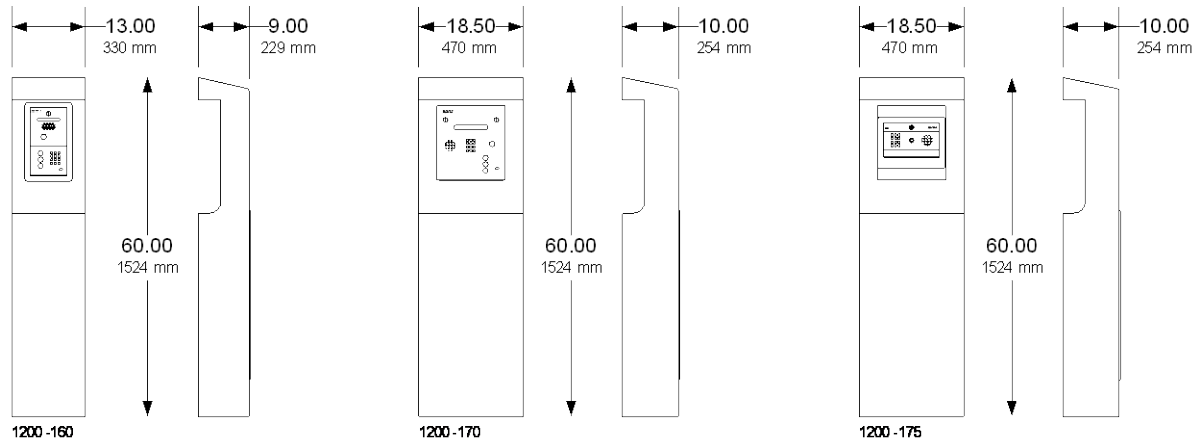
- Tower extension does not include light assembly.
- LED (120V) light with photocell for automatic dusk to dawn operation.

Replacement Post Cap

1200-053

Mounting Posts

Kiosks



Kiosk Style Posts¹

1200-160

- Use with 1802 and 1802-EPD flush mount systems only.

1200-170

- Use with 1803, 1810, 1833, 1834, 1835 and 1837 flush mount systems **80 Series systems only**.

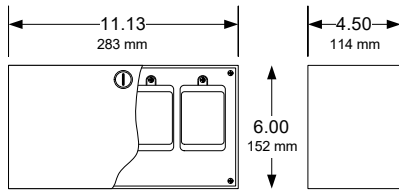
1200-175

- Use with 1812 Classic, 1812 Plus and 1812 Access Plus flush mount systems only.

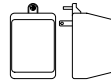
1. All kiosks include LED illumination and have an electrical compartment has four (4) accessory outlets and room for surge suppressers and RF receiver.

Transformers

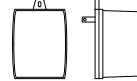
12, 16, 24 Volt AC & DC



1200-080



20 VA Transformers
1804-059 24-Volt AC Output
1804-060 16-Volt AC Output



40 VA Transformer
1508-060 16-Volt AC Output



DC Transformers - Regulated
1812-018 12-Volt 1A
1812-136 24-Volt 1A

Transformer Box

1200-080

- Holds up to four (4) 20-VA transformers.
- Suitable for indoor or outdoor use.

20-VA Transformers

1804-059 24-VAC
1804-060 16-VAC

40-VA Transformers

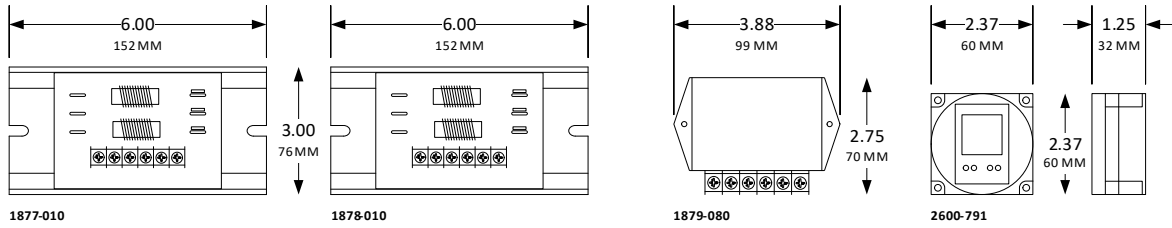
1508-060 16-VAC

DC Transformers - Regulated

1812-018 12-VDC, 1 A
1812-136 24-VDC, 1 A

Accessories

Timers / Surge Suppressors



Surge Suppressors

1877-010 Phone Line

1878-010 Low Voltage (24 VAC)

1879-080 High Voltage (120 VAC)

7-Day Timer

2600-791

- 20 Programs.
- 24 VAC.
- Form C dry contact relay.