





## Table of Contents

### Card Readers

DK ProxPlus™ Secure Card Readers / M Series Card Readers (13.56 MHz).....	4
DK Prox Card Readers (125 KHz).....	6
HID Card Readers (125 KHz) .....	8
AWID Card Readers (125 KHz) .....	10
ID-Teck Card Readers (125 KHz) .....	12

### Keypads

Digital Keypads .....	14
-----------------------	----

### RF Controls

MicroPlus® RF Controls .....	16
MicroClik® RF Controls .....	18

### Smart Gate Controller

Smart Gate Switch .....	20
-------------------------	----

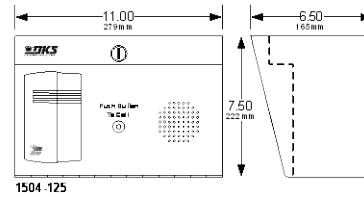
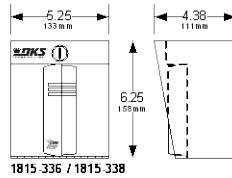
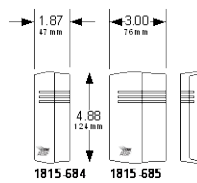
### Miscellaneous Controls

Key Switches .....	21
Exit Push Buttons.....	22
Postal & Fire Department Lock Boxes .....	23

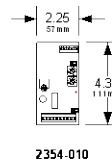
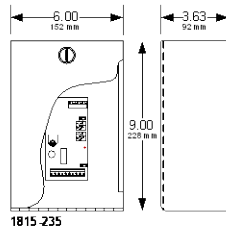
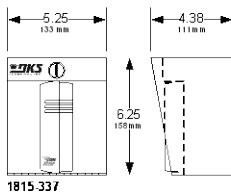
### Door and Gate Locks

1200 Lb. Magnetic Door Locks .....	24
600 Lb. Magnetic Door Locks .....	25
300 Lb. Mini-locks, 2000 Lb. Shear Lock.....	26
1200 Lb, 600 Lb. Magnetic gate Locks.....	27
Electric Deadbolts and Door Strikes .....	28

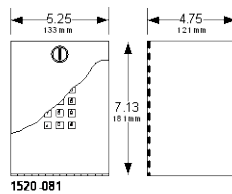
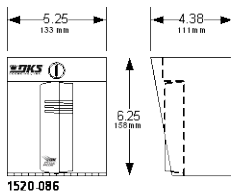
## DK ProxPlus™ Secure Card Readers (13.56 MHz)



26-Bit Wiegand Output



RS 485 Output



Relay Output

### 26-Bit Wiegand Output

- 1815-684 ProxPlus Secure - Mullion mount
- 1815-685 ProxPlus Secure – Single-gang box mount
- 1815-336 (1815-684 w/enclosure)
- 1815-338 (1815-336 w/expansion board)
- 1504-125 (1815-685 w/intercom substation)

ProxPlus Secure card readers will read only ProxPlus Secure cards.  
They will not read other Mifare type cards.

### RS-485 Output (ACCESS PLUS ONLY)

- 1815-337 ProxPlus Secure
- 1815-235 (2354-010 w/enclosure)
- 2354-010 (26-Bit Wiegand to RS-485 converter)
  - RS485 output is proprietary and will interface with Access Plus products only

### Relay Output (Stand Alone)

- 1520-086 ProxPlus Secure
- 1520-081 Controller only (add your own reader)

## DK ProxPlus Secure Cards (13.56 MHz)

---

These cards will only work with ProxPlus Secure card readers (1815-684, 1815-685, 1815-337).

### Factory Coded Cards - blocks of 50 only.

1508-252 Secure Cards  
1508-257 Secure Key Tags

These cards are factory pre-coded. Card numbers may or may not be in numerical sequence.

### Custom Programmed Cards<sup>1</sup> - blocks of 100 only.

1508-250 Secure Cards  
1508-255 Secure Key Tags

These cards include sequential coding, specific card numbers and specific start / stop numbering sequences.

Note 1: Custom ordered cards cannot be returned for credit.

### ProxPlus Secure Card Scanner<sup>1</sup>

1815-692 Reads ProxPlus Secure Cards

Use this card scanner when the card code is not printed on the card or the code has worn off the card. This scanner will read DK ProxPlus Secure cards only.

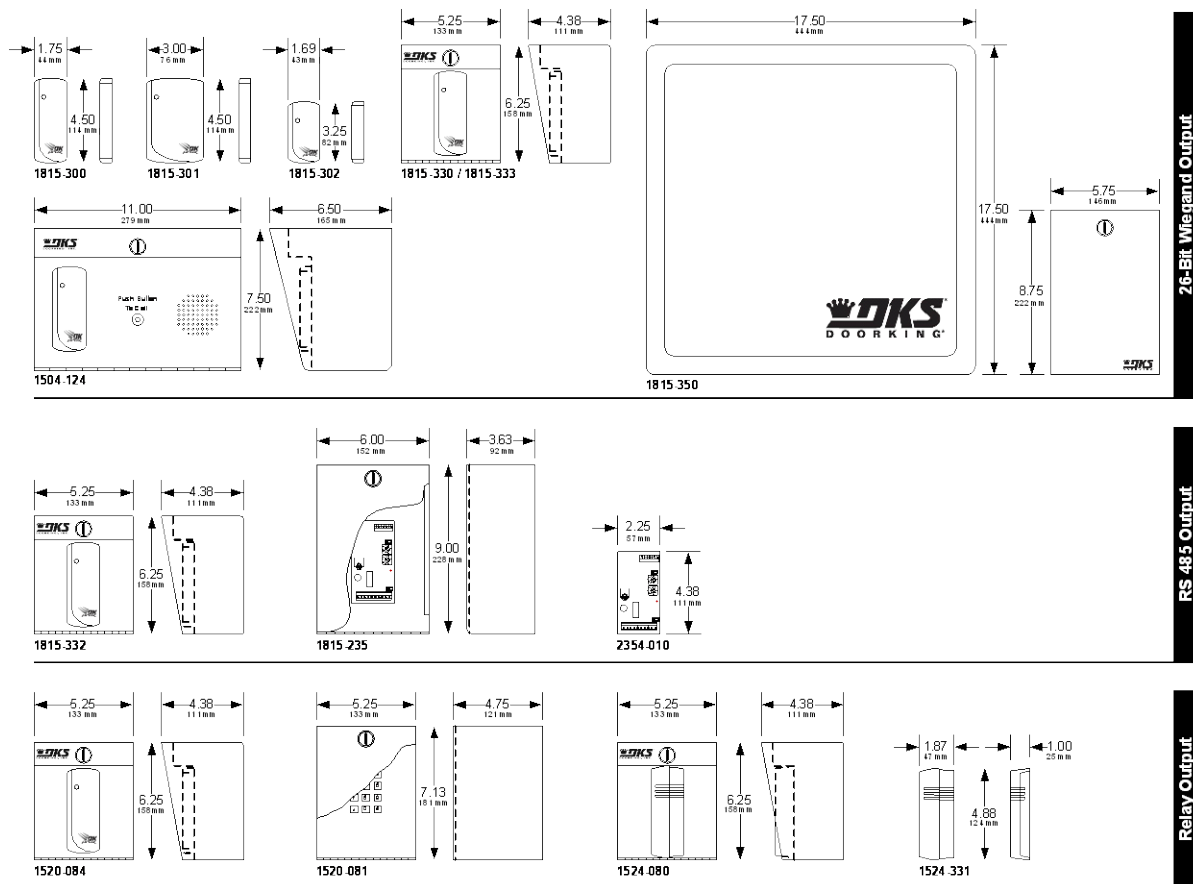
Note 1: Requires card scanner software - free download:

<https://www.doorking.com/accessories/access-control-accessories/dkprox-card-identifier>

### MicroPlus Transmitters w/ProxPlus Secure Tag

8069-088 1 Button w/DK ProxPlus Secure Tag  
8070-088 2 Button w/DK ProxPlus Secure Tag  
8071-088 3 Button w/DK ProxPlus Secure Tag  
8096-088 4 Button w/DK ProxPlus Secure Tag

## DK Prox Card Readers (125 KHz)



### 26-Bit Wiegand Output

- 1815-300 Up to 3-inch range – Mullion mount
- 1815-301 Up to 4-inch range – Single-gang box mount
- 1815-302 Up to 2-inch range - Tiny
- 1815-330 (1815-300 reader w/enclosure)
- 1815-333 (1815-330 w/expansion board)
- 1504-124 (1815-300 w/intercom substation)

### 26-Bit Wiegand Output - Automatic Vehicle ID System

- 1815-350 Up to 25-foot range

### RS-485 Output (ACCESS PLUS ONLY)

- 1815-332 Up to 3-inch range
- 1815-235 (2354-010 w/enclosure)
- 2354-010 (26-Bit Wiegand to RS-485 converter)
  - RS485 output is proprietary and will interface with Access Plus products only

### Relay Output (Stand Alone)

- 1520-084
- 1520-081 Controller only
  - 1520 reader/controller can store up to 1000 card codes
  - 3600 event history buffer
  - Built-in programming keypad
  - Timed anti-pass back, hold open time zones
- 1524-080 (1524-331 w/enclosure)
- 1524-331 Mullion mount
- 1815-340 Replacement Programmer
  - 1524 reader can store up to 1000 card codes
  - Use 1815-340 handheld programmer to add / delete individual cards or blocks of cards

## DK Prox Cards (125 KHz)

### Standard Cards - blocks of 50 only.

These cards are factory pre-coded. Card numbers may, or may not be, in numerical sequence.

Available only in blocks of 50.

1508-120 Clamshell Cards  
1508-121 ISO Graphics Cards  
1508-123 Key Tags  
1508-130 ProxDot

### UHF DK Prox Cards

These cards are factory pre-coded. Card numbers may, or may not be, in numerical sequence.

1508-191 ISO Card UHF Only<sup>1</sup>  
1508-198 ISO Card UHF/DK Prox Dual Tech<sup>1</sup>  
1815-318 Windshield Holder  
1815-319 Rearview Mirror Holder

1508-191 can only be used with 1815-350 card reader. 1508-198 dual technology card can be used with both 1815-350 and all other DK Prox card readers.

Note 1: Quantity discounts available. Contact the Sales Department.

### Special Order Cards<sup>1</sup> - blocks of 100 only.

These cards include sequential coding, specific card numbers and specific start / stop numbering sequences.

Available only in blocks of 100.

1508-127 Clamshell Cards  
1508-128 ISO Graphics Cards  
1508-129 Key Tags

Note 1: Special orders cannot be returned for credit.

### UHF DK Prox Cards – Special Order<sup>1</sup>

These cards include sequential coding, specific card numbers and specific start / stop numbering sequences.

1508-190 ISO Card UHF Only<sup>2</sup>  
1508-197 ISO Card UHF/DK Prox Dual Tech<sup>2</sup>  
1815-318 Windshield Holder  
1815-319 Rearview Mirror Holder

1508-190 can only be used with 1815-350 card reader. 1508-197 dual technology cards can be used with both 1815-350 and all other DK Prox card readers.

Note 1: Special orders cannot be returned for credit.

Note 2: Quantity discounts available. Contact the Sales Department.

### DKProx Card Scanner<sup>1</sup>

1815-640 Reads 125 KHz Cards

Card Scanner is used when the card code is not printed on the card or the code has worn off the card.

Note 1: Requires DKProx card scanner software - free download:

<http://www.doorking.com/accessories/access-control-accessories/dkprox-card-identifier>

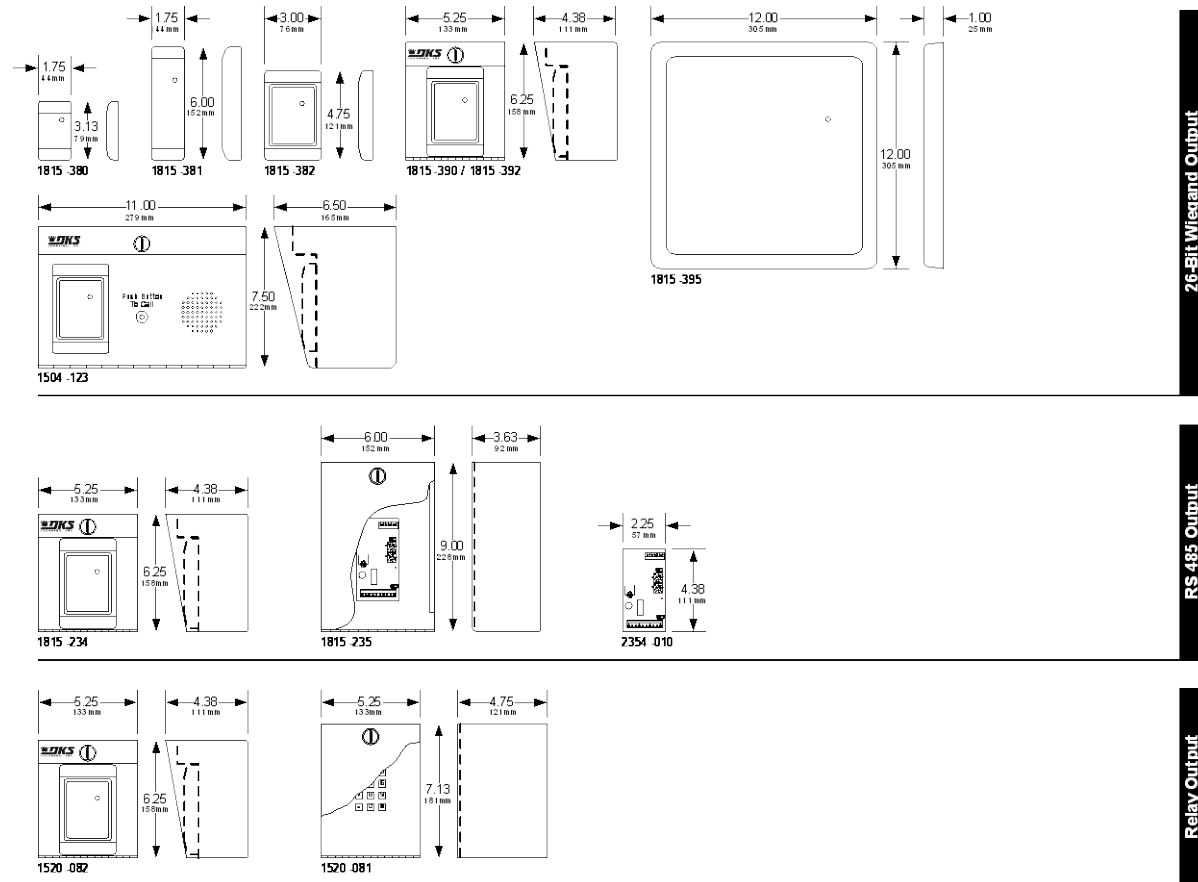
1508-195 Windshield/Headlight Tag<sup>1,2</sup>

1508-199 License Plate Tag<sup>1</sup>

Note 1: 1508-195 and 1508-199 can only be used with 1815-350 card reader.

**Note 2: It is illegal to place a tag on a headlight in some states. Check with the state Department of Transportation before ordering tags intended to be placed on headlights.**

## HID Proximity Card Readers (125 KHz)



### 26-Bit Wiegand Output

- 1815-380 (ProxPoint Plus) Up to 3-inch range
- 1815-381 (MiniProx) Up to 5-inch range
- 1815-382 (ThinLine) Up to 5-inch range
- 1815-390 (1815-382 reader w/enclosure)
- 1815-392 (1815-390 w/expansion board)
- 1504-123 (1815-382 w/intercom substation)
- 1815-395 (MaxiProx) Up to 6-foot range

### RS-485 Output (ACCESS PLUS ONLY)

- 1815-234 (ThinLine) Up to 5-inch range
- 1815-235 (2354-010 w/enclosure)
- 2354-010 (26-Bit Wiegand to RS-485 converter)
  - RS485 output is proprietary and will interface with Access Plus products only

### Relay Output (Stand Alone)

- 1520-082
- 1520-081 Controller only
  - 1520 reader/controller can store up to 1000 card codes
  - 3600 event history buffer
  - Built-in programming keypad
  - Timed anti-pass back, hold open time zones

## HID Prox Cards (125 KHz)

---

**Minimum order for HID cards is 100. Cards are sold in blocks of 50 only.**

### **HID Prox Cards**

**These cards are factory pre-coded. Card numbers may, or may not be, in numerical sequence.**

1508-018 ProxCard Clamshell Cards  
1508-017 Prox ISO Graphics Cards  
1508-016 ProxKey Key Tags

**Minimum order for HID cards is 100. Special order cards are sold in blocks of 100 only.**

### **HID Prox Cards - Special Order<sup>1</sup>**

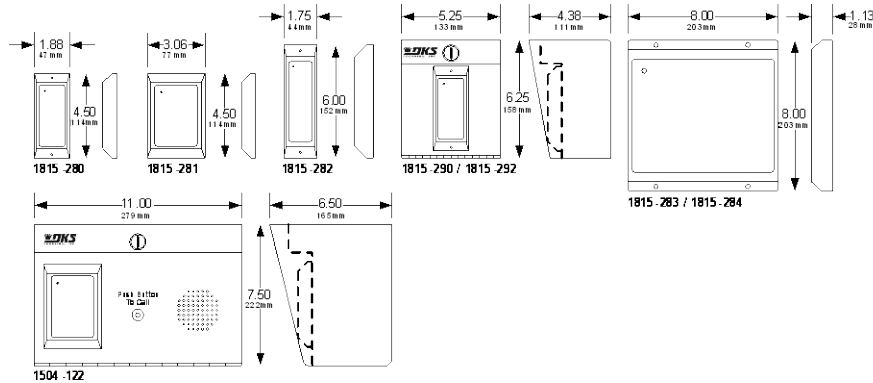
**These cards include sequential coding, specific card numbers and specific start / stop numbering sequences.**

1508-143 ProxCard Clamshell Cards  
1508-144 Prox ISO Graphics Cards  
1508-145 ProxKey Key Tags

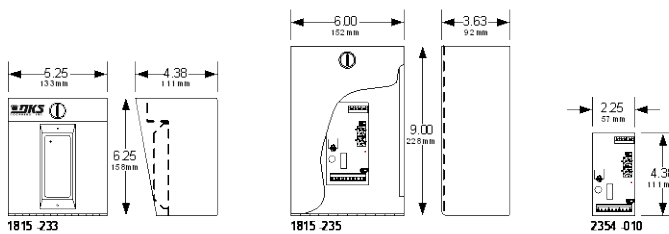
1508-014 ProxPass Active Tags (use with 1815-395 only)

Note 1: Special orders cannot be returned for credit.

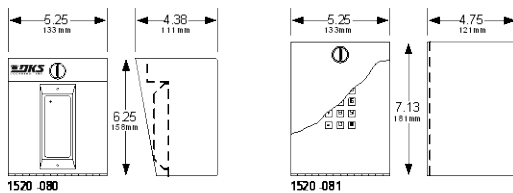
## AWID Proximity Card Readers (125 KHz)



26-Bit Wiegand Output



RS-485 Output



Relay Output

### 26-Bit Wiegand Output

- 1815-280 (SR 2400) Up to 4-inch range
- 1815-281 (SP 6820) Up to 8-inch range
- 1815-282 (MM 6800) Up to 2-inch range
- 1815-290 (1815-280 reader w/enclosure)
- 1815-292 (1815-290 w/expansion board)
- 1815-283 (MR 1824) Up to 24-inch range
- 1815-284 (MR 1824 MC) Up to 16-inch range
- 1504-122 (1815-281 w/intercom substation)

### RS-485 Output (ACCESS PLUS ONLY)

- 1815-233 Up to 3-inch range
- 1815-235 (2354-010 w/enclosure)
- 2354-010 (26-Bit Wiegand to RS-485 converter)

- RS485 output is proprietary and will interface with Access Plus products only

### Relay Output (Stand Alone)

- 1520-080
- 1520-081 Controller only
- 1520 reader/controller can store up to 1000 card codes
- 3600 event history buffer
- Built-in programming keypad
- Timed anti-pass back, hold open time zones

## AWID Prox Cards (125 KHz)

---

**Cards are sold in blocks of 50 only.**

**AWID Prox Cards**

**These cards are factory pre-coded. Card numbers may, or may not be, in numerical sequence.**

1508-020 Prox-Linc Clamshell Cards  
1508-021 Prox-Linc GR ISO Graphics Cards  
1508-022 Prox-Linc KT Key Tags

**Special order cards are sold in blocks of 100 only.**

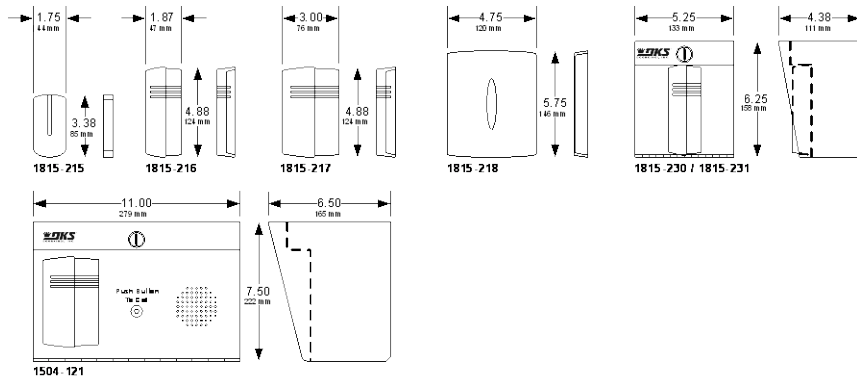
**AWID Prox Cards - Special Order<sup>1</sup> (minimum 100)**

**These cards include sequential coding, specific card numbers and specific start / stop numbering sequences.**

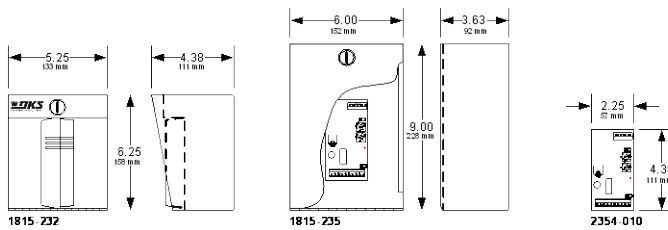
1508-132 Prox-Linc Clamshell Cards  
1508-133 Prox-Linc GR ISO Graphics Cards  
1508-134 Prox-Linc KT Key Tags

Note 1: Special orders cannot be returned for credit.

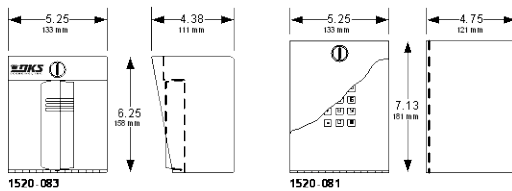
## ID-Teck Proximity Card Readers (125 KHz)



26-Bit Wiegand Output



RS-485 Output



Relay Output

### 26-Bit Wiegand Output

- 1815-215 (RF Tiny) Up to 3-inch range
- 1815-216 (RF 10) Up to 3-inch range
- 1815-217 (RF 20) Up to 3-inch range
- 1815-218 (RF 30) Up to 12-inch range
- 1815-230 (1815-216 reader w/enclosure)
- 1815-231 (1815-230 w/expansion board)
- 1504-121 (1815-217 w/intercom substation)

### RS-485 Output (ACCESS PLUS ONLY)

- 1815-232 Up to 3-inch range
- 1815-235 (2354-010 w/enclosure)
- 2354-010 (26-Bit Wiegand to RS-485 converter)
  - RS485 output is proprietary and will interface with Access Plus products only

### Relay Output (Stand Alone)

- 1520-083
- 1520-081 Controller only
  - 1520 reader/controller can store up to 1000 card codes
  - 3600 event history buffer
  - Built-in programming keypad
  - Timed anti-pass back, hold open time zones

## **ID-Teck Prox Cards (125 KHz)**

---

Note: cards will work with the following ID-Teck Prox readers only:  
1815-215, 1815-216, 1815-217, 1815-218, 1815-230, 1815-231, 1504-121

**Cards are sold in blocks of 50 only.**

**ID-Teck Prox Cards**

**These cards are factory pre-coded. Card numbers may, or may not be, in numerical sequence.**

1508-110 RF 170 Clamshell Cards  
1508-111 RF 80 ISO Graphics Cards  
1508-112 RF 50 Key Tags

**Special order cards are sold in blocks of 100 only.**

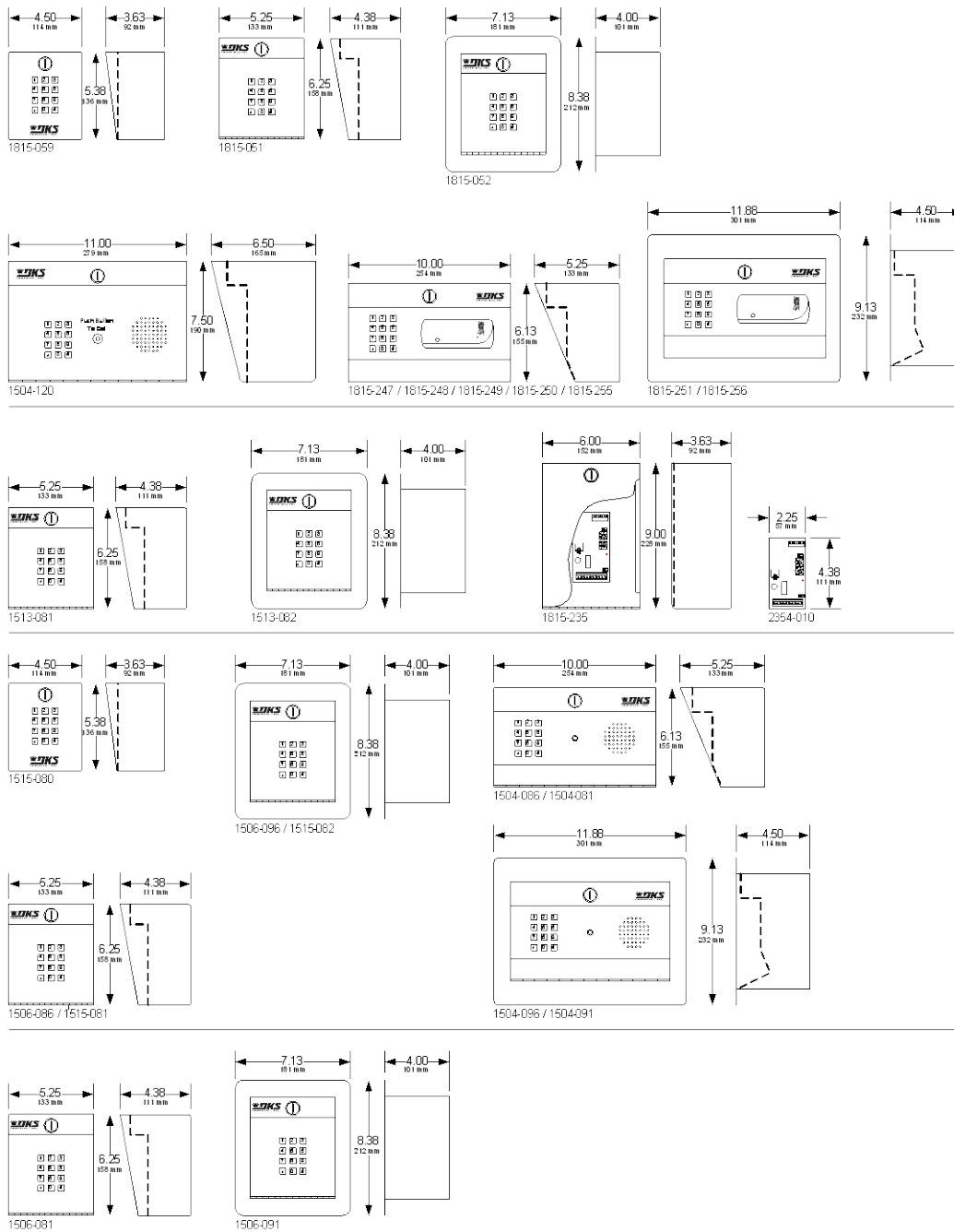
**ID-Teck Prox Cards - Special Order<sup>1</sup>**

**These cards include sequential coding, specific card numbers and specific start / stop numbering sequences.**

1508-136 RF 170 Clamshell Cards  
1508-137 RF 80 ISO Graphics Cards  
1508-138 RF 50 Key Tags

Note 1: Special orders cannot be returned for credit.

# Keypads



26-Bit Wiegand Output

RS-485 Output

Relay Output

Secondary Keypads

## Keypads

### 26-Bit Wiegand Output

These keypads must be connected to a 26-bit wiegand controller, such as the DK 1830 Series. They are not stand-alone devices.

1815-059 Surface Mount

- Low power solar mode.
- NFC (Android app only)

1815-051 Surface Mount

1815-052 Flush Mount

1504-120 Surface Mount w/intercom substation

### 26-Bit Wiegand Output

These keypad/card reader combinations must be connected to a 26-bit wiegand controller, such as the DK 1830 Series. They are not stand-alone devices.

1815-247 Surface Mount

- Keypad with ID Tech (1815-216) card reader.

1815-248 Surface Mount

- Keypad with AWID (1815-281) card reader.

1815-249 Surface Mount

- Keypad with HID (1815-382) card reader.

1815-250 Surface Mount

- Keypad with DK Prox (1815-300) card reader.

1815-251 Flush Mount

- Keypad with DK Prox (1815-300) card reader.

1815-255 Surface Mount

- Keypad with DK ProxPlus (1815-685) reader.

1815-256 Flush Mount

- Keypad with DK ProxPlus (1815-685) reader.

### RS-485 Output (ACCESS PLUS ONLY)

These keypads must be connected to a RS-485 controller, such as the DK Access Plus Series. They are not stand-alone devices.

1513-081 Surface Mount

1513-082 Flush Mount

1815-235 (2354-010 w/enclosure)

2354-010 (26-Bit Wiegand to RS-485 converter)

- RS485 output is proprietary and will interface with Access Plus products only

### Relay Output (Stand Alone)

These keypads use a dry relay(s) contact and are designed to be used as a stand-alone device.

1506-086 Surface Mount

1506-096 Flush Mount

1504-086 Surface Mount w/intercom substation

1504-096 Flush Mount w/intercom substation

- 2 Form C dry contact relays.
- 1000 four (4) digit entry codes.
- 6 five (5) digit entry codes.
- Hold open codes.
- Time zone inputs.

1515-080<sup>1</sup> Surface Mount

1515-081 Surface Mount

1515-082 Flush Mount

1504-081 Surface Mount w/intercom substation

1504-091 Flush Mount w/intercom substation

- 1 Form C dry contact relay.
- 400 four (4) or five (5) digit entry codes.
- Hold open codes.
- Low power solar mode.

*1. Includes NFC programming with DK Manager app, Android only (Free from Google Play store).*

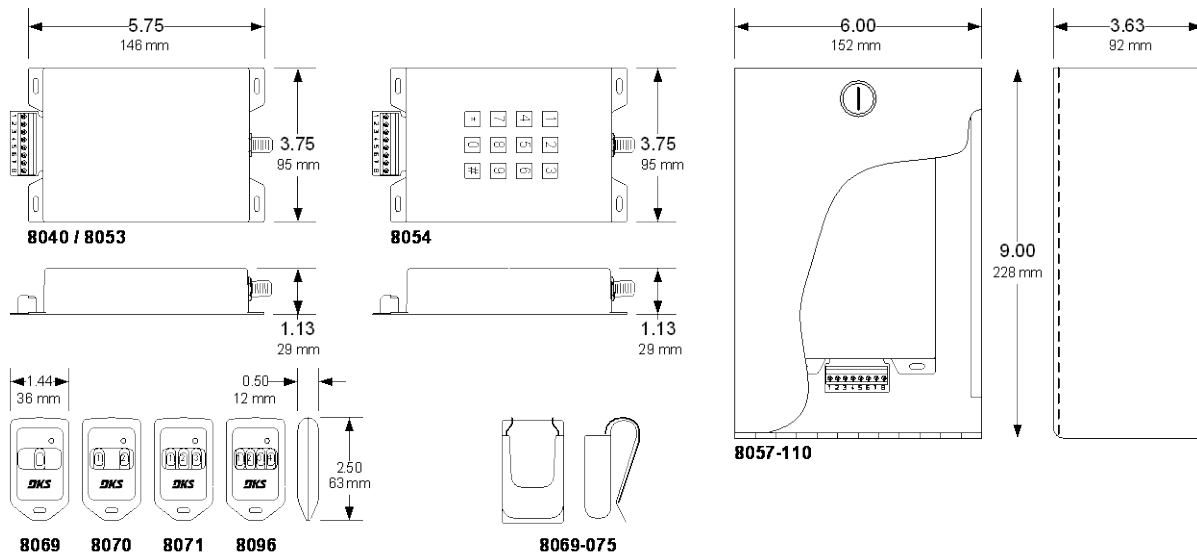
### Secondary Keypad

These keypads can only be used with DK telephone entry systems.

1506-081 Surface Mount

1506-091 Flush Mount

## MICROPLUS® RF Controls



### 26-Bit Wiegand Output

8040-080

- 5300 Transmitter codes.
- 26, 30 or 31-bit wiegand format.

8040-090

- 5300 Transmitter codes.
- 26, 30 or 31-bit wiegand format.
- Compatible with Elite Series<sup>1</sup> DT-418 transmitters.

1. Elite Series is a registered trademark of The Chamberlain Group, Inc.

### RS-485 Output (ACCESS PLUS ONLY)

8053-080

- 5300 Transmitter codes.
- RS485 output is proprietary and will interface with Access Plus products only

### MicroPlus Visor Clips (Black)

8069-075

### Relay Output (Stand Alone)

8040-080 100 Transmitter codes

- Program via the “learn” method.
- Individual codes cannot be deleted.

8054-081 50 Transmitter codes

8054-082 100 Transmitter codes

8054-083 250 Transmitter codes

8054-084 500 Transmitter codes

8054-085 1000 Transmitter codes

8054-086 1250 Transmitter codes

- Built-in time clock, 10 programmable time zones.
- 2300 event history buffer.
- Can be connected to a serial printer.

### Receiver Accessories

8057-110 Lockable outdoor enclosure

1514-073 Coax Antenna kit

**MICROPLUS® Transmitters / PROXMTR® (Transmitter w/proximity card reader built-in)**

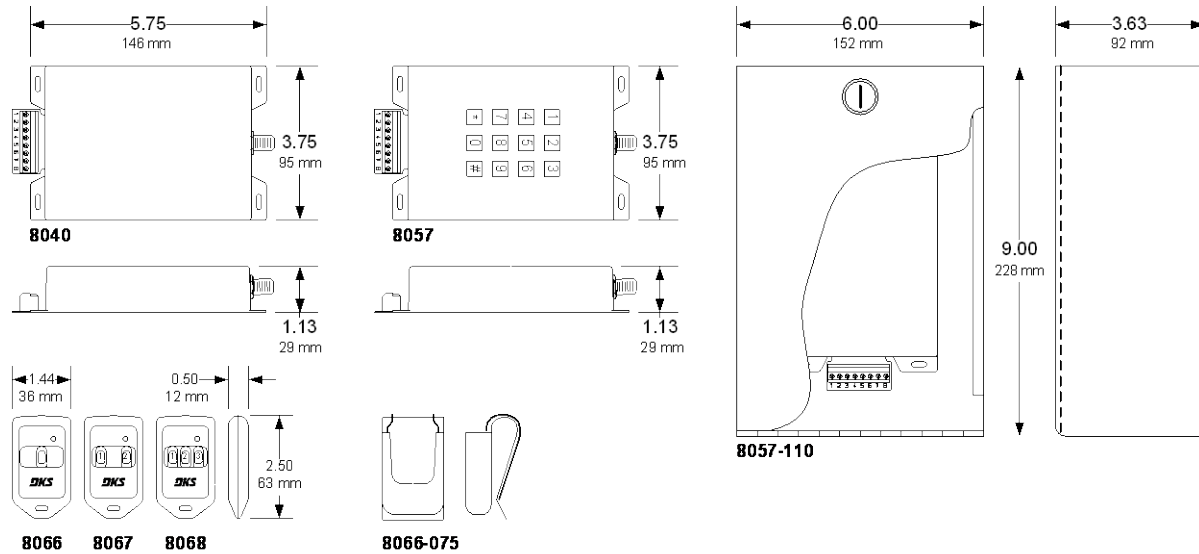
---

**IMPORTANT!** Block-coded transmitters can only be ordered in multiples of 10.

8069-080 1 Button
8070-080 2 Button
8071-080 3 Button
8096-080 4 Button
8069-082 1 Button w/AWID Tag
8070-082 2 Button w/AWID Tag
8071-082 3 Button w/AWID Tag
8096-082 4 Button w/AWID Tag
8069-084 1 Button w/HID Tag
8070-084 2 Button w/HID Tag
8071-084 3 Button w/HID Tag
8096-084 4 Button w/HID Tag

8069-086 1 Button w/IDTeck Tag
8070-086 2 Button w/IDTeck Tag
8071-086 3 Button w/IDTeck Tag
8096-086 4 Button w/IDTeck Tag
8069-087 1 Button w/DK Prox Tag
8070-087 2 Button w/DK Prox tag
8071-087 3 Button w/DK Prox Tag
8096-087 4 Button w/DK Prox Tag
8069-088 1 Button w/DK ProxPlus Secure Tag
8070-088 2 Button w/DK ProxPlus Secure Tag
8071-088 3 Button w/DK ProxPlus Secure Tag
8096-088 4 Button w/DK ProxPlus Secure Tag

## MICROCLI<sup>®</sup> RF Controls



### 26-Bit Wiegand Output

8040-080

- 5300 Transmitter codes.
- 26, 30 or 31-bit wiegand format.

8040-090

- 5300 Transmitter codes.
- 26, 30 or 31-bit wiegand format.
- Compatible with Elite Series<sup>1</sup> DT-418 transmitters.

1. Elite Series is a registered trademark of The Chamberlain Group, Inc.

### MicroClik Visor Clips (Gray)

8066-075

### Relay Output (Stand Alone)

8040-080 100 Transmitter codes

- Program via the “learn” method.
- Individual codes cannot be deleted.

8057-081 50 Transmitter codes

8057-082 100 Transmitter codes

8057-083 250 Transmitter codes

8057-084 500 Transmitter codes

8057-085 1000 Transmitter codes

8057-086 5000 Transmitter codes

8057-088 16,000 Transmitter codes

- Built-in time clock, 10 programmable time zones.
- 2300 event history buffer.
- Can be connected to a serial printer.

### Receiver Accessories

8057-110 Lockable outdoor enclosure

1514-073 Coax Antenna kit

**MICROCLI<sup>®</sup>K Transmitters / PROXMTR<sup>®</sup> (Transmitter w/proximity card reader built-in)**

---

**IMPORTANT!** Block-coded transmitters can only be ordered in multiples of 10.

8066-080 1 Button  
8067-080 2 Button  
8068-080 3 Button

8066-082 1 Button w/AWID Tag  
8067-082 2 Button w/AWID Tag  
8068-082 3 Button w/AWID Tag

8066-083 1 Button w/HID Tag  
8067-083 2 Button w/HID Tag  
8068-083 3 Button w/HID Tag

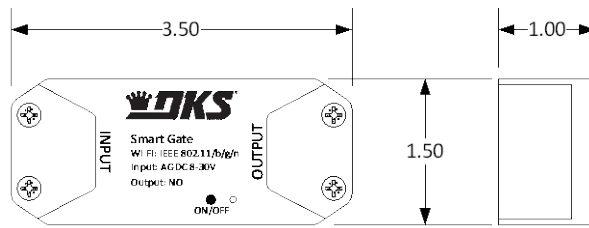
8066-084 1 Button w/IDTeck Tag  
8067-084 2 Button w/IDTeck Tag  
8068-084 3 Button w/IDTeck Tag

8066-085 1 Button w/DK Prox Tag  
8067-085 2 Button w/DK Prox Tag  
8068-085 3 Button w/DK Prox Tag

8066-086 1 Button w/DK ProxPlus Tag  
8067-086 2 Button w/DK ProxPlus Tag  
8068-086 3 Button w/DK ProxPlus Tag

8072-080 1 Button 418 MHz  
8073-080 2 Button 418 MHz  
8074-080 3 Button 418 MHz

## Smart Gate Controller



1800-500

### Smart Gate Switch

1800-500

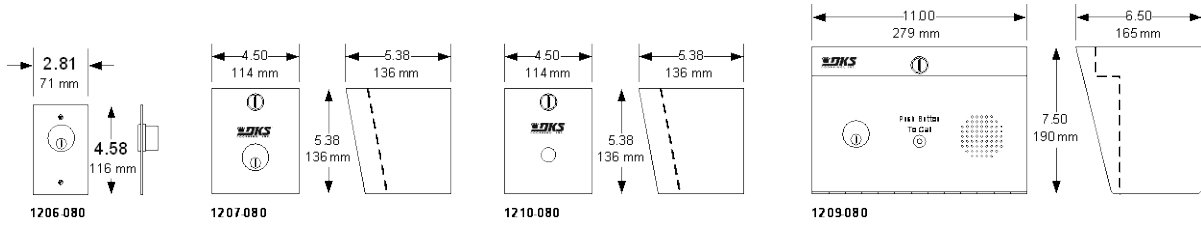
- Gate magnet position sensor<sup>1</sup>
- N.O. switch output
- 8-30 VAC/VDC
- 2.4 GHz WiFi IEEE 802.11b/g/n<sup>2</sup>

1. Must be installed to enable gate (open/close) status
2. Smart gate switch requires a WiFi connection.

### DKS Smart Connect app

- iOS or Android
- Free on App Store and Google Play
- Open and Close your gate
- Show gate status (open or close)
- Setup open and close notifications
- Setup schedules
- View open / close history log
- Works with Alexa, Google Home and Siri

## Keys Switches



### Mortise Key Cylinder

1206-080

- N.O. or N.C. operation.
- Mounts in single-gang electric box.
- Indoor use only.

1207-080

- N.O. or N.C. operation.
- Surface mount non-lighted enclosure.
- Indoor or outdoor use.

1209-080

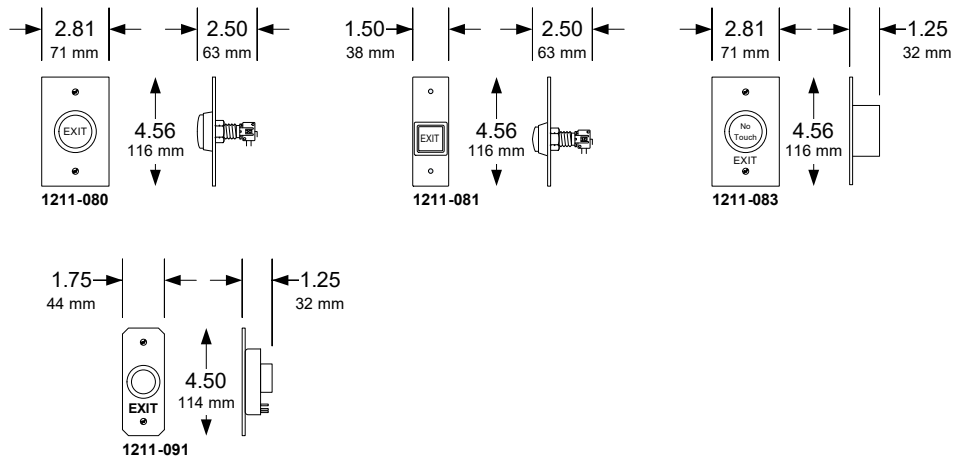
- N.O. or N.C. operation.
- Surface mount lighted enclosure.
- Indoor or outdoor use.
- Intercom substitution.

### Ace Key Cylinder

1210-080

- N.O. or N.C. operation.
- Surface mount non-lighted enclosure.
- Indoor or outdoor use.

## Push Buttons



### Push Button Switch

1211-080

- Stainless-steel faceplate.
- **Mounts in special single-gang electric box, 2-5/8 deep. Standard electrical box will require an extension ring.**
- Requires 12-VDC power to illuminate exit button.
- Indoor use only.

1211-081

- Stainless-steel faceplate.
- Mullion mount.
- Requires 12-VDC power to illuminate exit button.
- Indoor use only.

1211-083

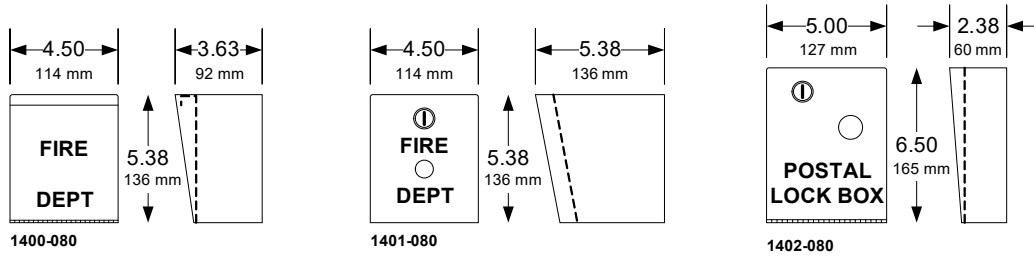
- No Touch exit button.
- Stainless-steel faceplate.
- Mounts in single-gang electric box.
- Requires 12-VDC power.
- Indoor use only.

### Piezoelectric Switch

1211-091

- Vandal resistant stainless-steel faceplate.
- Selectable illumination status (red, green).
- Mullion mount.
- Requires 12-24 VDC power.

## Lock Boxes



### Fire Department Lock Box

1400-080

- Accepts Fire Department padlock.
- Surface or post mounted.
- Painted bright red.
- Constant contact switch when padlock is removed, and the door is open.

1401-080

- Accepts Knox 3501 key switch.
- Surface or post mounted.
- Faceplate painted bright red.

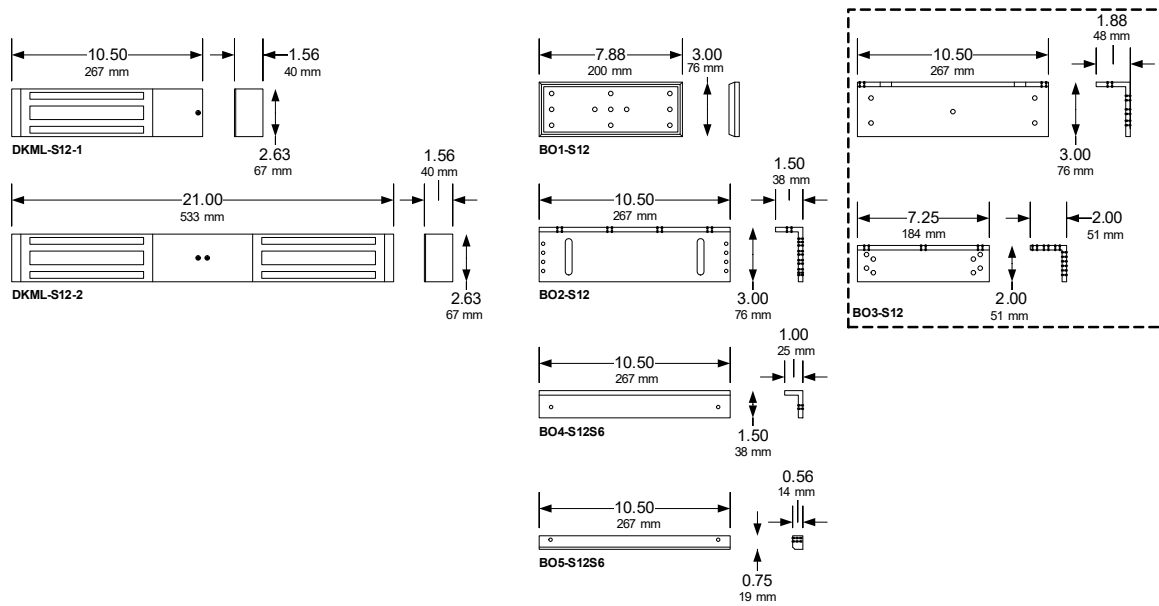
### Postal Service Lock Box

1402-080

- Accepts standard postal key lock.
- Surface or post mount.
- Painted Postal blue.
- Postal lock can be installed to either activate a door or gate, or simply open the postal box.

## Magnetic Door Locks

### 1200 Lb (544 Kg) Door Locks (Indoor Use Only)



#### Single Door Locks Surface Mount

DKML-S12-1  
DKML-S12-1L  
DKML-S12-1LT

#### Dual Door Locks Surface Mount

DKML-S12-2  
DKML-S12-2L  
DKML-S12-2LT

- Locks operate on 12 or 24 Volt DC power.
- "L" includes LED status indicator.
- "T" includes built-in time delay.

#### Mounting Brackets

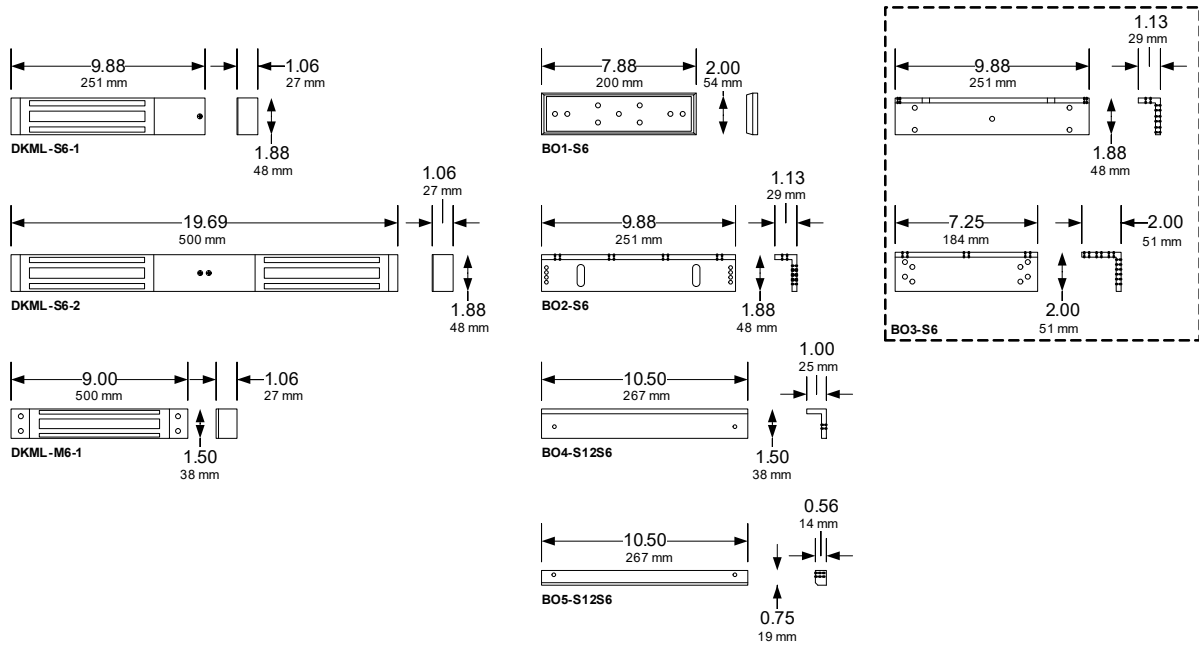
BO1-S12 Armature Bracket  
BO2-S12 L Bracket  
BO4-S12S6 Angle Bracket  
BO5-S12S6 Spacer Bar  
BO3-S12 L & Z Bracket Kit

#### DC Lock Power Transformers

1812-018 12 Volt, 1000 mA  
1812-136 24 Volt, 1000 mA

# Magnetic Door Locks

## 600 Lb (272 Kg) Door Locks (Indoor Use Only)

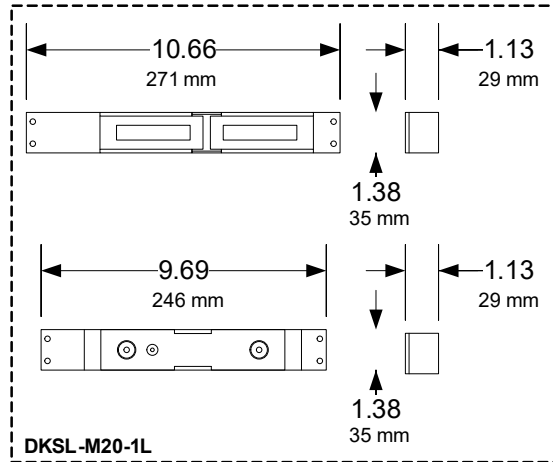
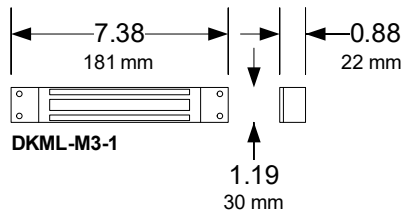
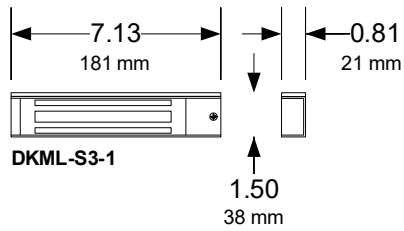


- Single Door Locks Surface Mount**  
DKML-S6-1  
DKML-S6-1L  
DKML-S6-1LT
- Single Door Locks Mortise Mount**  
DKML-M6-1  
DKML-M6-1L  
DKML-M6-1LT
- Dual Door Locks Surface Mount**  
DKML-S6-2  
DKML-S6-2L  
DKML-S6-2LT
- Locks operate on 12 or 24 Volt DC power.
  - "L" includes LED status indicator.
  - "T" includes built-in time delay.

- Mounting Brackets**
- Mounting Brackets**  
BO1-S12 Armature Bracket  
BO2-S12 L Bracket  
BO4-S12S6 Angle Bracket  
BO5-S12S6 Spacer Bar  
BO3-S12 L & Z Bracket Kit
- DC Lock Power Transformers**  
1812-018 12 Volt, 1000 mA  
1812-136 24 Volt, 1000 mA

## Magnetic Door Locks

### 300 Lb (136 Kg) Mini-locks and 2000 Lb (907 Kg) Shear Lock (Indoor Use Only)



#### 300 Lb. Door Locks

DKML-S3-1 Surface Mount

DKML-M3-1 Mortise Mount

#### 2000 Lb. Shear Lock Surface Mount

DKSL-M20-1L

- Locks operate on 12 or 24 Volt DC power.
- Shear lock includes LED status indicator and built-in signal relay.

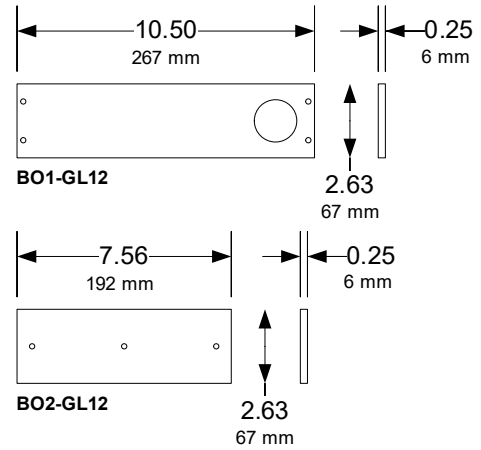
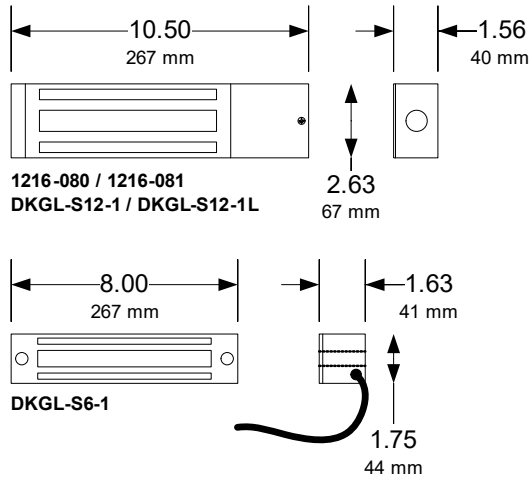
#### DC Lock Power Transformers

1812-018 12 Volt, 1000 mA

1812-136 24 Volt, 1000 mA

## Magnetic Gate Locks

### 600 Lb (272 Kg) and 1200 Lb (544 Kg) Gate Locks



#### 1200 Lb. Gate Lock Kits Surface Mount

1216-080  
 1216-081

- 1216-081 has built-in signal relay.
- Kits include predrilled and tapped mounting brackets, BO1-GL12 and BO2-GL12.

#### 1200 Lb. Gate Locks Top, Bottom or Face Mount

DKGL-S12-1  
 DKGL-S12-1L w/Signal Relay

#### 600 Lb. Gate Lock Face Mount Only

DKGL-S6-1 w/Signal Relay

- Gate locks operate on 12 or 24 Volt DC power.

#### Mounting Brackets

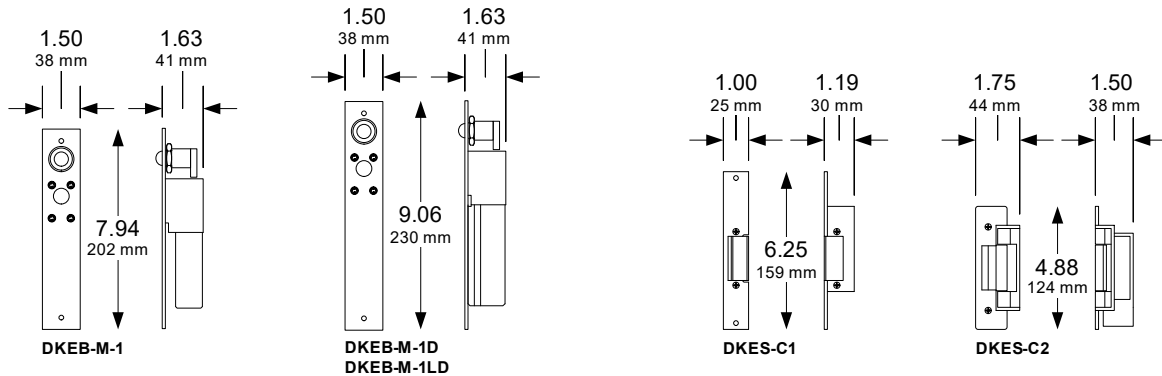
BO1-GL12 Lock Bracket  
 BO2-GL12 Armature Bracket

#### DC Lock Power Transformers

1812-018 12 Volt, 1000 mA  
 1812-136 24 Volt, 1000 mA

## Electric Door Locks

### Deadbolts and Strikes



#### Dead-bolt Door Locks

DKEB-M-1

DKEB-M-1D

DKEB-M-1LD

- "L" includes sensor to indicate locked or unlocked condition.
- "D" includes door sensor to indicate an open or closed door.

#### Electric Strikes 11/32-inch (8.74 mm) keeper

DKES-C1-1FX

DKES-C1-1FS

#### Electric Strikes 20/32-inch (15.88 mm) keeper

DKES-C2-1FX

DKES-C2-1FS

- FX = Fail Secure
- FS = Fail Safe

## Blank Page

## Blank Page