

- 154 115VAC 3.3 Amp HEATER / FAN KIT

DoorKing Part Number

1601-154

115VAC Model



3.3 Amp

This kit is designed for DoorKing **6050/6100, 6300, 9000, 9024 AC Powered 115 VAC Input power ONLY, 9050/9100, 9150, 1601/1602/1603 and 6550** model gate operators. For cold weather climates where temperatures routinely drop below 10°F (-12°C). A built-in thermostat will automatically control the temperature inside operator housing. Find **your specific operator** on next 8 pages.

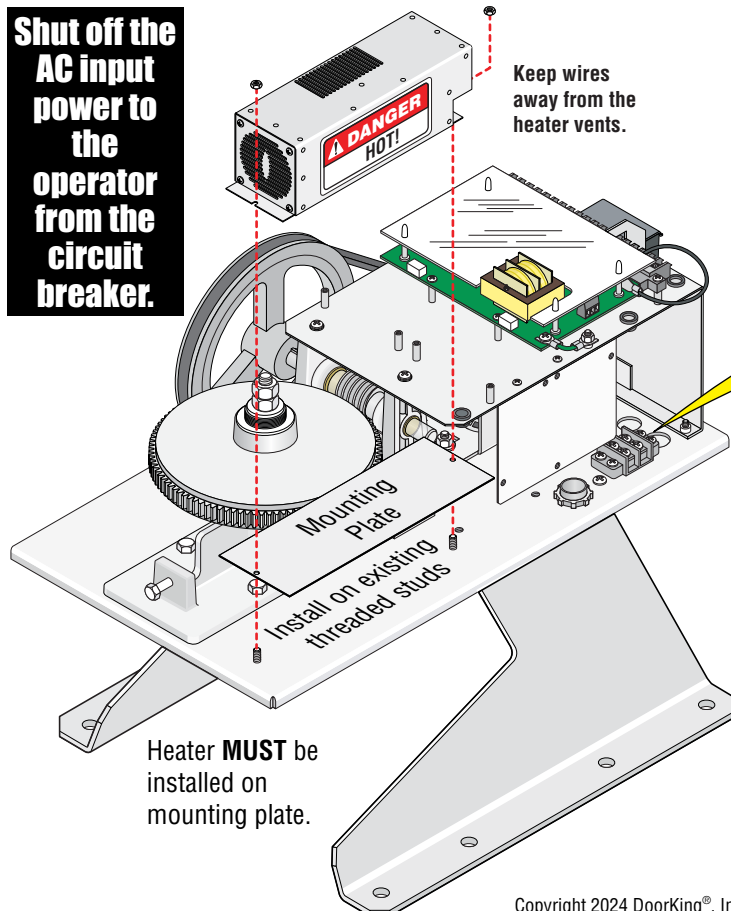
DO NOT USE the “high voltage wire size and distance limitations” table in the Installation/Owner’s manuals to determine the high voltage AC input power wire size and distance limitations for the gate operator because of a **much greater current draw** when using the heater. Use the wire run tables in this manual to determine the wire size and distances for **your chosen gate operator when a heater is installed**. If the high voltage AC input power wiring is greater than the maximum distance shown, it is recommended that a service feeder be installed. When large gauge wire is used, a separate junction box must be installed for the operator connection. Wire run calculations are based on NEC 310.15(B)(16) with a maximum voltage drop of 3%. These wire runs are a general guideline but these distances may vary. **Never** run low voltage rated wire insulation in the same conduit as high voltage rated wire insulation. Keep them in separate conduits.

6050 / 6100

High voltage AC input wire size and distance limitations for a single gate operator with a heater.

Model	Horsepower	Volts	Operator and Heater Amps	Wire Size / Max Distance in Feet			
				12 AWG	10 AWG	8 AWG	6 AWG
	1/2 HP	115	8.7	100	150	250	400
Wire run distances are shown for a single 6050 operator with heater. In bi-parting (dual) gate applications, reduce the distance by one-half.							
	1/2 HP	115	8.7	100	150	250	400
Wire run distances are shown for a single 6100 operator with heater. In bi-parting (dual) gate applications, reduce the distance by one-half.							

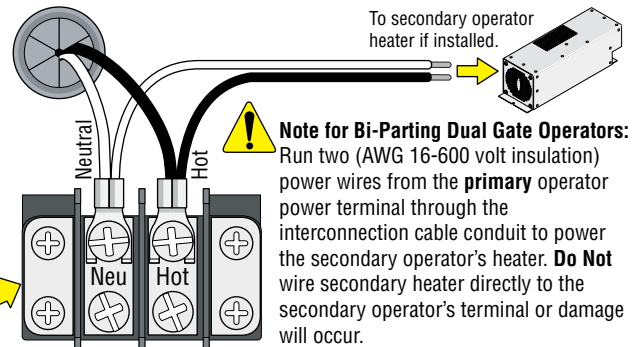
Shut off the AC input power to the operator from the circuit breaker.



Power Connection

Connect the heater power wires.

To secondary operator heater if installed.



115 VAC Power Terminal



Heater Switch



ON - Normal setting. Automatically turns the heater and fan **ON** when the temperature drops below 40°F (4°C) inside the operator, and turns the heater and fan **OFF** when the temperature rises above 55°F (13°C) inside the operator.


OFF - Turns the heater and fan off.



120 S. Glasgow Avenue
Inglewood, California 90301 U.S.A.

IMPORTANT: DO NOT install this heater kit if your gate operator has the optional **high voltage** kit installed on it.

High voltage AC input wire size and distance limitations for a single gate operator with a heater.

Model	Horsepower	Volts	Operator and Heater Amps	Wire Size / Max Distance in Feet			
				12 AWG	10 AWG	8 AWG	6 AWG
	1/2 HP	115	8.7	100	150	250	400
	1 HP	115	13.0	60	100	160	260

Wire run distances are shown for a single 6300 operator with heater. In bi-parting (dual) gate applications, reduce the distance by one-half.

Heater Switch

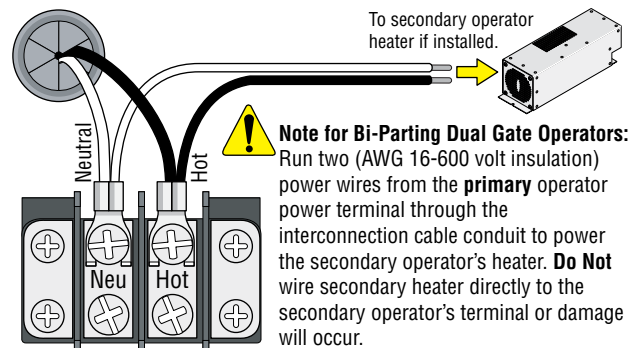


ON - Normal setting. Automatically turns the heater and fan **ON** when the temperature drops below 40°F (4°C) inside the operator, and turns the heater and fan **OFF** when the temperature rises above 55°F (13°C) inside the operator.

OFF - Turns the heater and fan off.

Power Connection

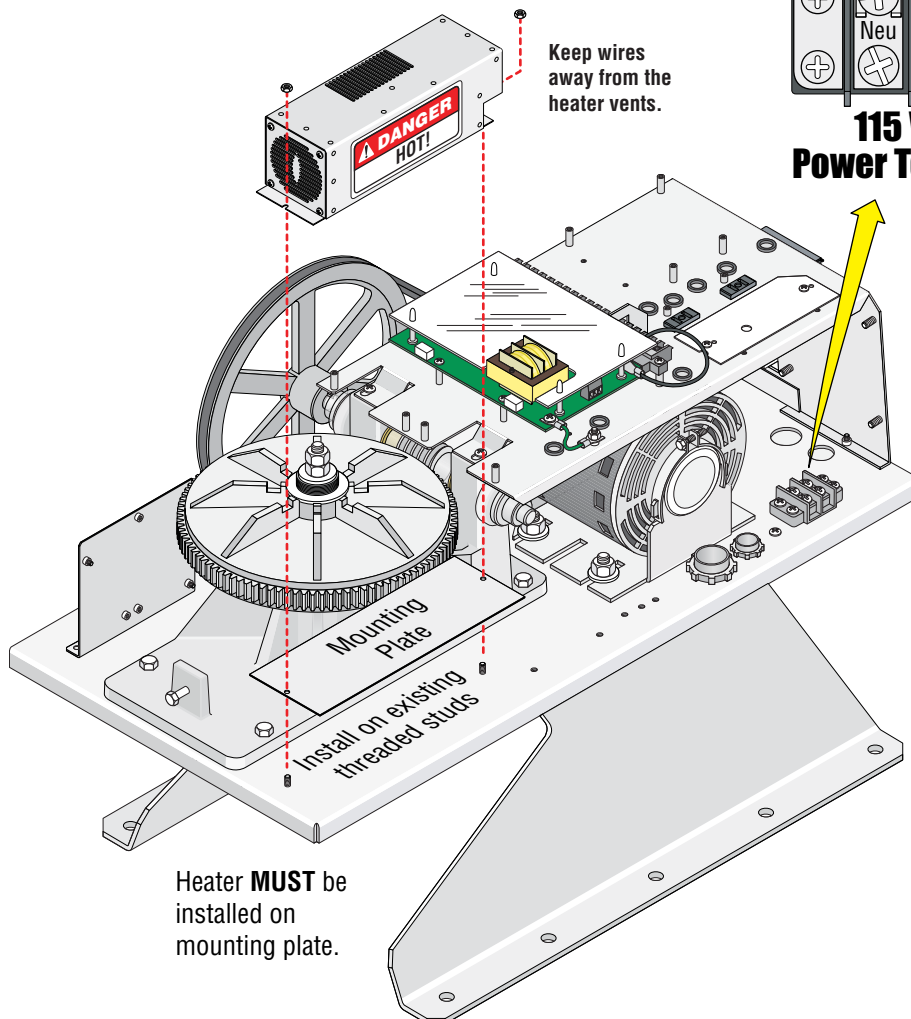
Connect the heater power wires.



**115 VAC
Power Terminal**




Shut off the AC input power to the operator from the circuit breaker.



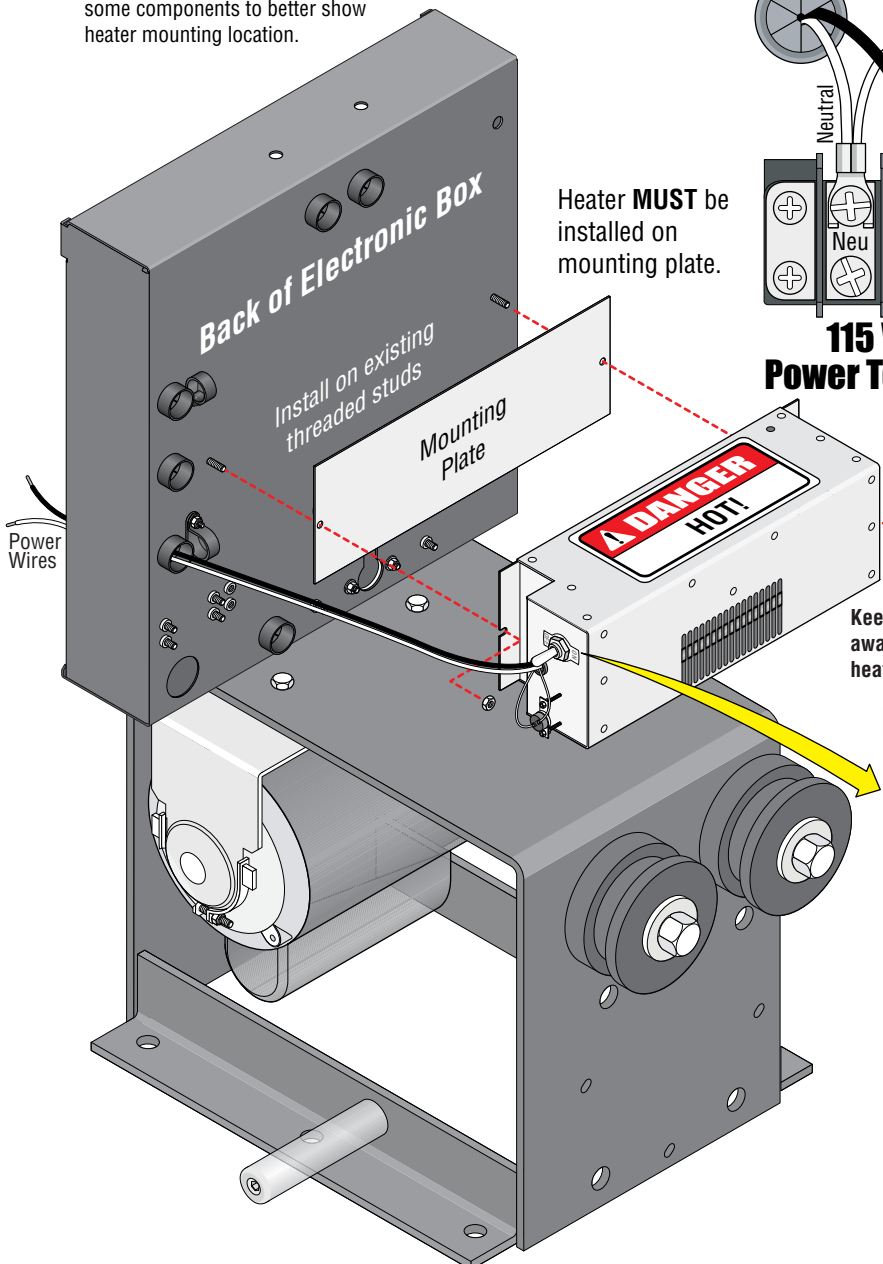
IMPORTANT: DO NOT install this heater kit if your gate operator has the optional **high voltage kit** installed on it.

High voltage AC input wire size and distance limitations for a single gate operator with a heater.

Model	Horsepower	Volts	Operator and Heater Amps	Wire Size / Max Distance in Feet			
				12 AWG	10 AWG	8 AWG	6 AWG
	1/2 HP	115	8.7	100	150	250	400
	1 HP	115	13.0	60	100	160	260

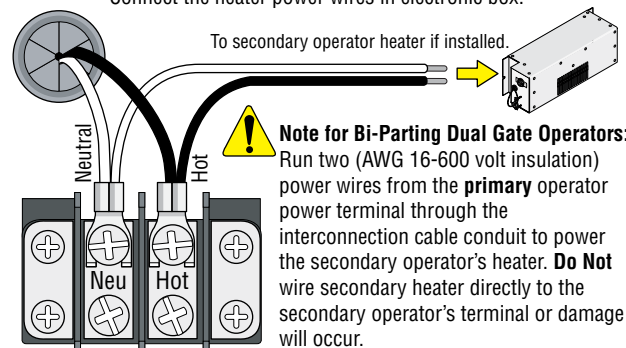
Wire run distances are shown for a single 9000 operator with heater. In bi-parting (dual) gate applications, reduce the distance by one-half.

Note: Operator illustrated without some components to better show heater mounting location.



Power Connection

Connect the heater power wires in electronic box.



**115 VAC
Power Terminal**

**DANGER
HIGH VOLTAGE!**

**Shut off the AC input
power to the operator
from the circuit breaker.**

Keep wires
away from the
heater vents.

Heater Switch



ON - Normal setting. Automatically turns the heater **ON** when the temperature drops below 40°F (4°C) inside the operator, and turns the heater **OFF** when the temperature rises above 55°F (13°C) inside the operator.

OFF - Turns the heater off.




120 S. Glasgow Avenue
Inglewood, California 90301 U.S.A.

9024 AC Powered 115 VAC ONLY

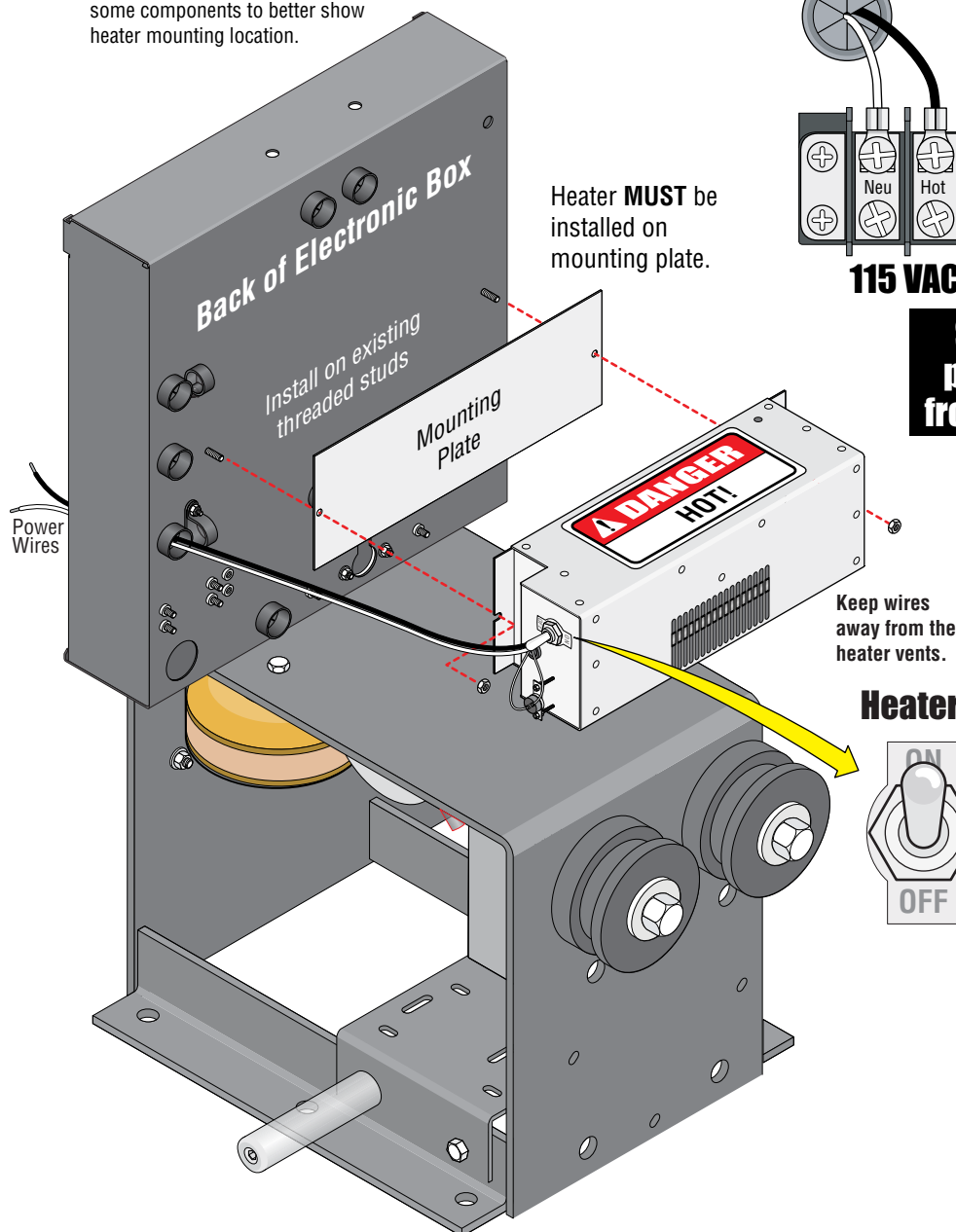
DoorKing Part Number
1601-154

High voltage AC input wire size and distance limitations for a single gate operator with a heater.

Model	Horsepower	Volts	Operator and Heater Amps	Wire Size / Max Distance in Feet			
				12 AWG	10 AWG	8 AWG	6 AWG
	Quadra Drive DC Motor	115 ONLY	5.1	170	270	430	680

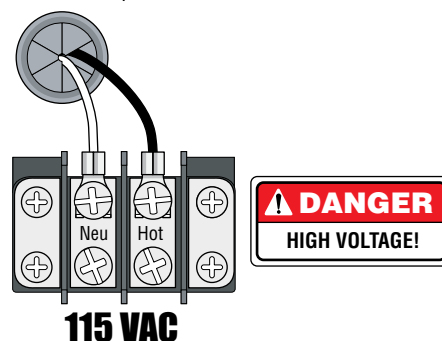
In bi-parting (dual) gate applications, high voltage AC power is required for EACH 9024 AC Powered 115 VAC operator with heater.

Note: Operator illustrated without some components to better show heater mounting location.



Power Connection

Connect the heater power wires in electronic box.



Shut off the AC input power to the operator from the circuit breaker.



Heater Switch



ON - Normal setting. Automatically turns the heater **ON** when the temperature drops below 40°F (4°C) inside the operator, and turns the heater **OFF** when the temperature rises above 55°F (13°C) inside the operator.

OFF - Turns the heater off.

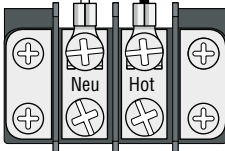
High voltage AC input wire size and distance limitations for a single gate operator with a heater.

Model	Horsepower	Volts	Operator and Heater Amps	Wire Size / Max Distance in Feet			
				12 AWG	10 AWG	8 AWG	6 AWG
	1/2 HP	115	8.7	100	150	250	400
In bi-parting (dual) gate applications, high voltage AC power is required for EACH 9050 operator with heater.							
	1/2 HP	115	8.7	100	150	250	400
In bi-parting (dual) gate applications, AC input power is required for EACH 9100 operator with heater.							



Power Connection

Connect the heater power wires in electronic box.



115 VAC



Shut off the AC input power to the operator from the circuit breaker.



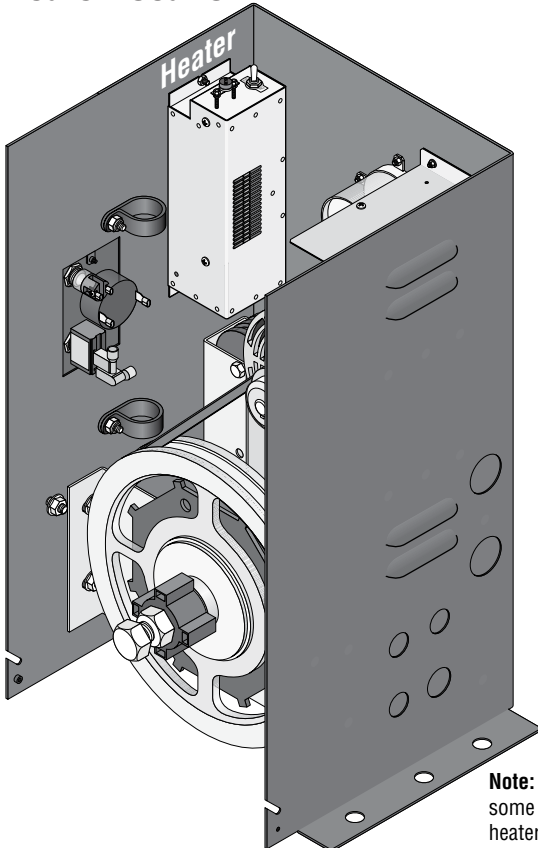
Heater **MUST** be installed on mounting plate.

Mounting Plate

Keep wires away from the heater vents.



Heater Location



Note: Operators illustrated without some components to better show heater mounting location.

Heater Switch



ON - Normal setting. Automatically turns the heater **ON** when the temperature drops below 40°F (4°C) inside the operator, and turns the heater **OFF** when the temperature rises above 55°F (13°C) inside the operator.


OFF - Turns the heater off.



120 S. Glasgow Avenue
Inglewood, California 90301 U.S.A.

IMPORTANT: DO NOT install this heater kit if your gate operator has the optional **high voltage kit** installed on it.

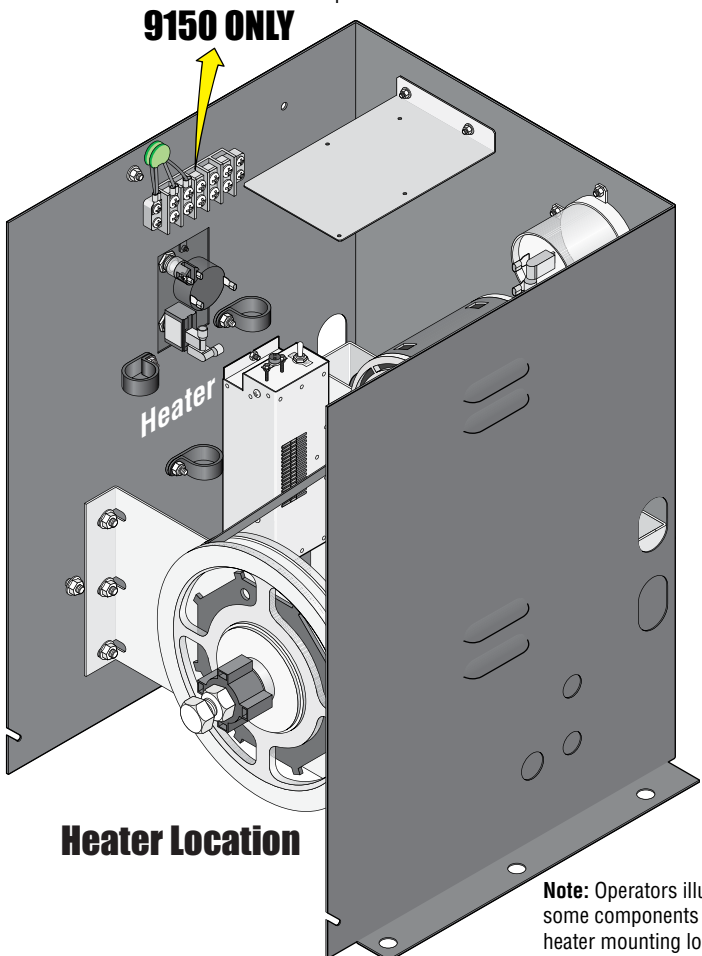
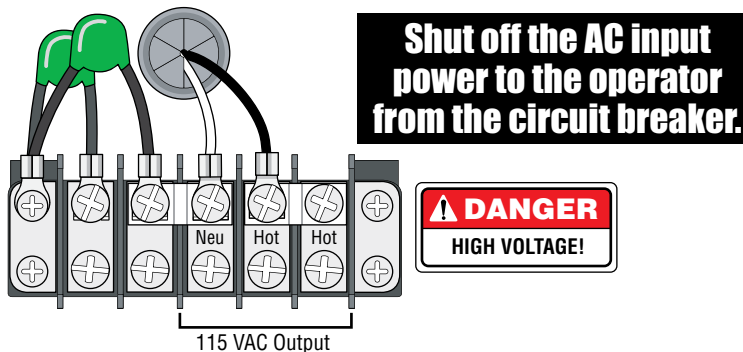
High voltage AC input wire size and distance limitations for a single gate operator with a heater.

Model	Horsepower	Volts	Operator and Heater Amps	Wire Size / Max Distance in Feet			
				12 AWG	10 AWG	8 AWG	6 AWG
	1/2 HP	115	8.7	100	150	250	400
	1 HP	115	13.0	60	100	160	260

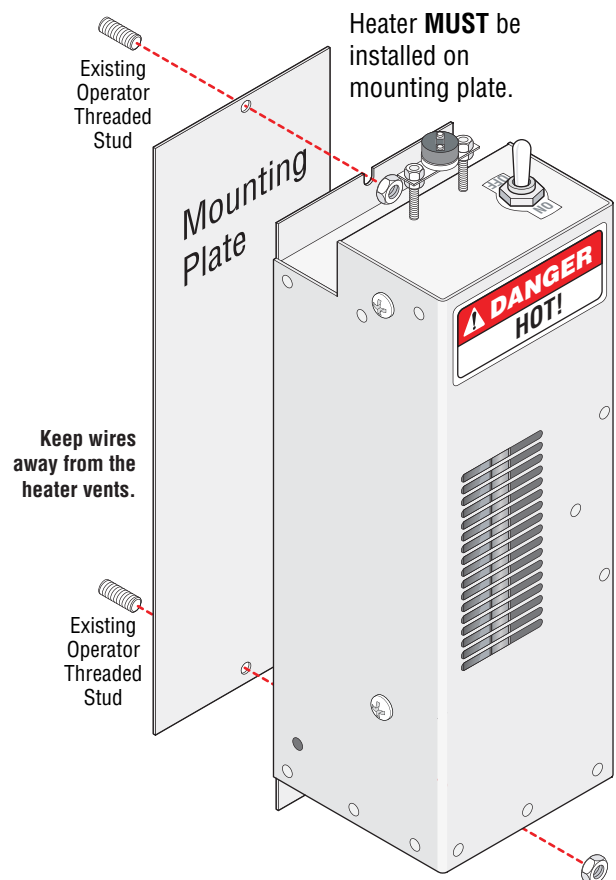
In bi-parting (dual) gate applications, high voltage AC power is required for EACH 9150 operator with heater.

Power Connection

Connect the heater power wires.



Note: Operators illustrated without some components to better show heater mounting location.



Heater Switch



ON - Normal setting. Automatically turns the heater **ON** when the temperature drops below 40°F (4°C) inside the operator, and turns the heater **OFF** when the temperature rises above 55°F (13°C) inside the operator.

OFF - Turns the heater off.



120 S. Glasgow Avenue
Inglewood, California 90301 U.S.A.

1601 / 1602 / 1603 Barrier Gate Operators

DoorKing Part Number
1601-154

IMPORTANT: DO NOT install this heater kit if your gate operator has the optional high voltage kit installed on it.

High voltage AC input wire size and distance limitations for a single gate operator with a heater.

Model	Horsepower	Volts	Operator and Heater Amps	Wire Size / Max Distance in Feet			
				12 AWG	10 AWG	8 AWG	6 AWG
1601 / 1603	1/2 HP	115	8.7	100	150	250	400
1602	1 HP	115	13.0	60	100	160	260

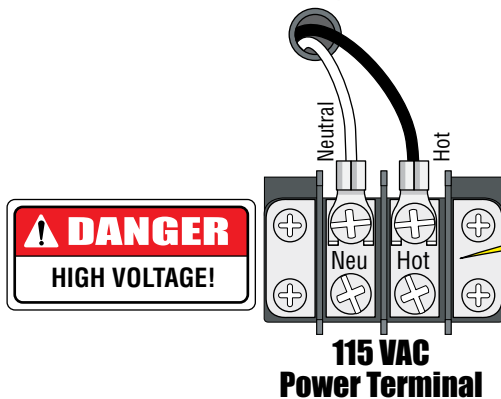
In bi-parting (dual) gate applications, high voltage AC power is required for EACH 1601 or 1602 operator with heater.

Shut off the AC input power to the operator from the circuit breaker.

Heater **MUST** be mounted on mounting plate.

Power Connection

Connect the heater power wires.

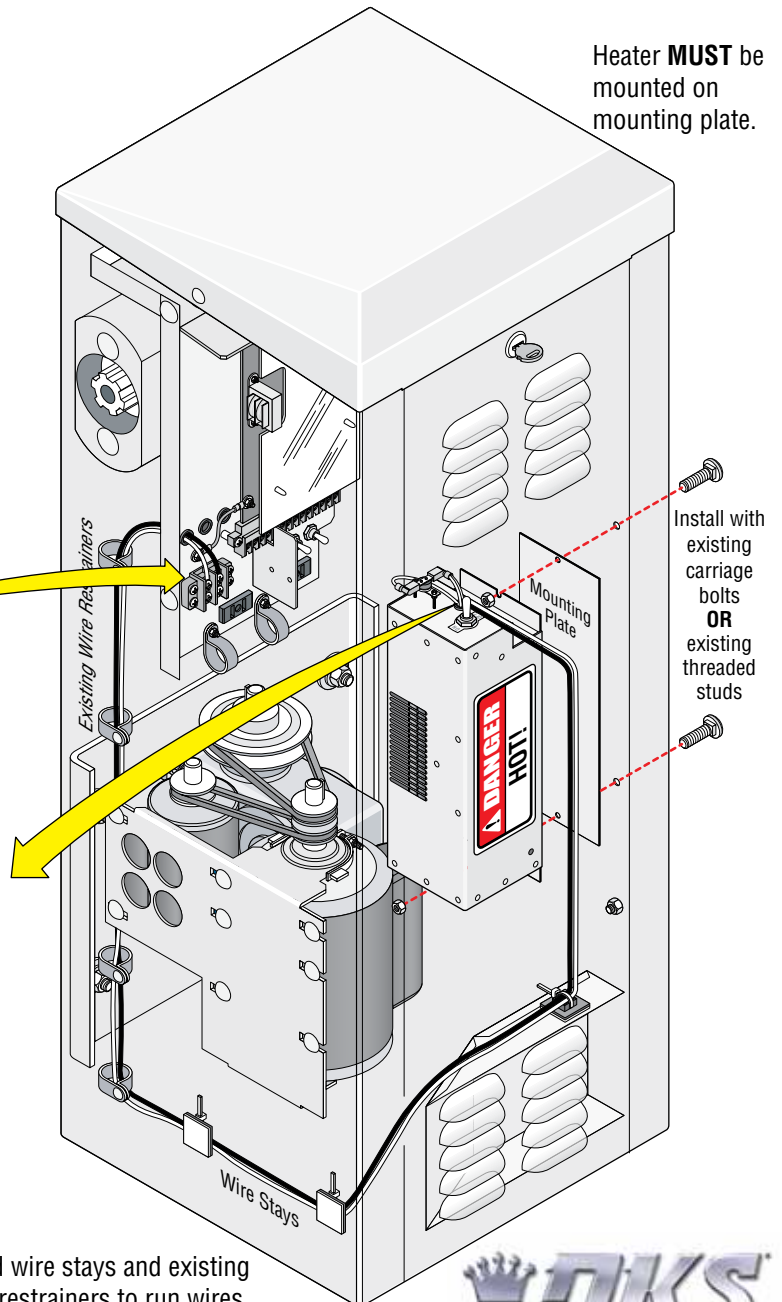


Heater Switch



ON - Normal setting. Automatically turns the heater and fan **ON** when the temperature drops below 40°F (4°C) inside the operator, and turns the heater and fan **OFF** when the temperature rises above 55°F (13°C) inside the operator.

OFF - Turns the heater/fan off.



Use supplied wire stays and existing wire restrainers to run wires. **Keep wires clear of all moving parts and the heater vents.**




120 S. Glasgow Avenue
Inglewood, California 90301 U.S.A.

6550

IMPORTANT: DO NOT install this heater kit if your gate operator has the optional **high voltage kit** installed on it.

High voltage AC input wire size and distance limitations for a single gate operator with a heater.

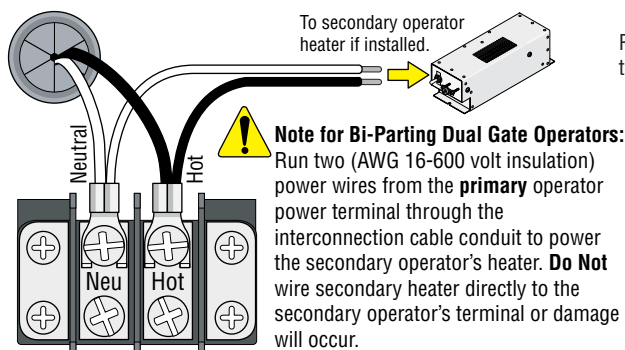
Model	Horsepower	Volts	Operator and Heater Amps	Wire Size / Max Distance in Feet			
				12 AWG	10 AWG	8 AWG	6 AWG
	1 HP	115	13.0	60	100	160	260

Wire run distances are shown for a single 6550 operator with heater. In bi-parting (dual) gate applications, reduce the distance by one-half.

Shut off the AC input power to the operator from the circuit breaker.

Power Connection

Connect the heater power wires.



115 VAC Power Terminal



Heater Switch



ON - Normal setting. Automatically turns the heater and fan **ON** when the temperature drops below 40°F (4°C) inside the operator, and turns the heater and fan **OFF** when the temperature rises above 55°F (13°C) inside the operator.

OFF - Turns the heater and fan off.

