

Maximum Security Slide Gate Operators

9200 and 9500 series operators are designed to operate vehicular sliding gates used in Limited (Class III) and Restricted (Class IV) industrial and maximum security applications only. These operators must never be used in Residential (Class I) or Commercial (Class II) applications, or in any application where the gate is operated by the General Public.

These operators must be installed with external entrapment prevention devices, Type B1 (non-contact) or Type B2 (contact), or a combination of both to insure all entrapment hazard areas are protected. **9500 Series operators require a minimum of one (1) Type B1 AND one (1) Type B2 in EACH direction of travel.** Refer to the Installation Manual for important safety information.

Minimum Gate Length

Most 9200 and 9500 Series operators have variable speed capability which allows the user to adjust the speed of the gate. On most operators, the speed can be set for speeds up to 2 Ft/sec., and on certain models the gate speed can be set up to 4 Ft/sec. When using these higher speeds, there is a time factor to consider during the start-up and the slow-down of the gate. For this reason, you will see a minimum gate length on operators design to move a gate at the higher speeds.

1620 Series Lane Barriers

The 1620 Lane Barrier is NOT a crash rated device. It is intended to provide a formidable barrier to help prevent passenger cars and light-duty pickup trucks from breaching a standard parking arm operator system. These lane barriers are not a stand-alone product, they are designed to be mechanically linked to and used with the 1601 Series barrier gate operators.

UL 325 – August 2018 Update

Requirements mandated by the safety standard (UL 325) that DKS gate operators are listed to require that photo-beams and contact edges used for entrapment protection must be monitored. Entrapment protection must be provided for the gate system where the risk of entrapment exist. The gate operator will not run without one or more external entrapment protection devices installed in each direction of travel. Check the gate operator installation manual for a list of external entrapment protection devices that can be used with DKS gate operator products.

The August, 2018 update to the safety standard requires that a minimum of two independent means of entrapment protection must be provided, in each direction of travel, where the risk of entrapment exists. The actual number of external devices required is dependent on the gate system layout and the number of entrapment areas that will need to be protected. Installers will have to identify all potential areas where the risk of entrapment exist and how best to protect those areas. For example, some gates may require two (or more) external devices in each direction of travel to protect all potential areas of entrapment. **9500 Series operators require a minimum of one (1) Type B1 AND one (1) Type B2 in EACH direction of travel.**

There is an exception for swing gates and vertical lift gates regarding the minimum of two entrapment protection devices in each direction of travel. For example, if on a swing gate system there is no potential for entrapment in the opening direction, then only the close direction will require a minimum of two means of entrapment protection. Installers will have to determine if any entrapment hazards exist in the opening direction, and if so, then those areas will have to be protected with external devices.

Vertical lift gates require two means of entrapment protection in the down cycle, but will only require one means of entrapment protection in the up cycle. The model 1175 is considered to be a vertical lift gate operator for entrapment protection means requirements.

Barrier gate operators that are installed in such a way that the barrier arm does not come closer than 16 inches to a rigid object are not required to protect against entrapment.

The table below shows the minimum entrapment protection requirements for each type of gate operator in the scope of the UL 325 Standard for Safety.

	Opening	Closing
Horizontal Slide Gate	2	2
Horizontal Swing Gate	2*	2*
Vertical Pivot Gate	2	2
Vertical Lift gate	1	2

* For a horizontal swing gate operator, at least two independent entrapment protection means are required in each direction of travel. Except, if there is no entrapment zone in one direction of travel, only one means of entrapment protection is required in that direction of travel; however, the other direction must have two independent entrapment protection means.

Blank Page

Table of Contents

Maximum Security Slide Gate Operators

Model 9210	6
Model 9220	8
Model 9230	10
Model 9235	12
Model 9240	14

Heavy-Duty Maximum Security Slide Gate Operators

9500 Series	16
-------------------	----

Maximum Security Slide Gate Operator Accessories

9200 & 9500 Series	18
Heavy-Duty V-Wheel Assemblies	19

Lane Barriers

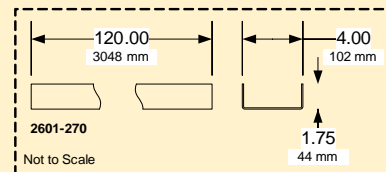
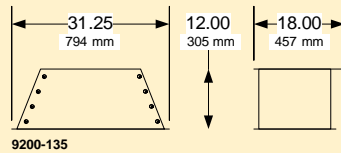
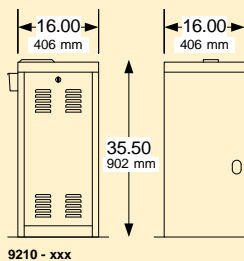
1620 Series	20
-------------------	----

9210 Slide Gate Operator

Maximum Security Slide Gate Operator

9210

- Adjustable Limits
- Plug-in Loop Detector Ports
- Built-in power and reset switches
- Two 115 VAC convenience outlets
- Partial open / anti-tailgate feature
- 40:1 Gear Reducer Drive Train
- Fixed Speed
- 20-Feet (6m) #50 / #60 Chain
- Gate tracker data output
- Selectable stop/ reverse function



Model	Chain	Speed Fixed	Maximum Gate Weight	Maximum Gate Length	Minimum Gate Length	Mount	Class of Operation ¹	Voltage VAC	HP	Power Outlets	Loop Ports ²
9210	#50	1 Ft/sec .3m/sec	2000 Lbs ³ 907 Kg	100 Ft 30m	10 Ft 3m	Pad or Pedestal ³	III, IV	115 208, 230, 460	1	2	2
	#60		3000 Lbs ³ 1360 Kg								

1. III = Limited Access; IV = Restricted Access
2. Plug-in loop detector ports; open and reverse. DoorKing plug-in loop detectors only.
3. Requires 9200-135 pedestal.

9210 Slide Gate Operator

Maximum Security Slide Gate Operator

Operators w/#50 Chain

9210-380 1 HP, 115V (9.7A)	5442.00
9210-382 1 HP, 208V 1 ^Ø (5.0A).....	5502.00
9210-384 1 HP, 230V 1 ^Ø (4.9A).....	5502.00
9210-386 1 HP, 208V 3 ^Ø (3.4A).....	5502.00
9210-388 1 HP, 230V 3 ^Ø (3.3A).....	5502.00
9210-390 1 HP, 460V 3 ^Ø (1.7A).....	5502.00

Operators w/#60 Chain

9210-381 1 HP, 115V (9.7A)	5527.50
9210-383 1 HP, 208V 1 ^Ø (5.0A).....	5593.50
9210-385 1 HP, 230V 1 ^Ø (4.9A).....	5593.50
9210-387 1 HP, 208V 3 ^Ø (3.4A).....	5835.00
9210-389 1 HP, 230V 3 ^Ø (3.3A).....	5835.00
9210-391 1 HP, 460V 3 ^Ø (1.7A).....	5835.00

Choose Entrapment Protection (required) Devices

Use Type B1 (non-contact) and/or Type B2 (contact) entrapment protection devices to protect all areas where the risk of entrapment exist - see Section A1, pages 42-43.

Operator will not run without external entrapment protection devices connected to the controller board. Minimum of two (one in each direction of travel) is required. See installation manual for more information.

Loops and Loop Detectors

See section A1, page 44 for a complete list of all loop detectors, prefabricated loops and loop accessories available.

Accessories

9200-135 Mounting Pedestal	996.00
2600-270 Chain Tray Kit 10 Ft (3m) ¹	444.00
1600-195 Heater Kit 120 VAC ²	844.50
1600-197 Heater Kit 208/230 VAC ²	Note 3

1. 9200-135 required if chain tray is used.
2. Use if temperature routinely falls below 10°F (-12°C).
3. See Section A1, page 31 for pricing.

Chain

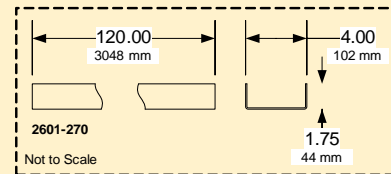
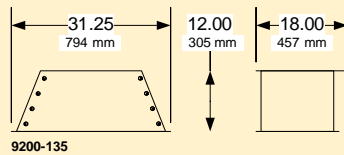
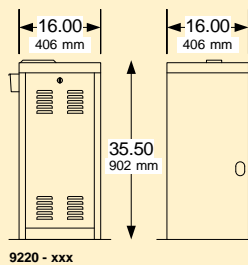
2600-485 #50 Chain, 20-Ft (6 m).....	181.50
2600-448 #60 Chain, 20-Ft (6 m).....	291.00

9220 Slide Gate Operator

Maximum Security Slide Gate Operator

9220

- Adjustable Limits
- Plug-in Loop Detector Ports
- Built-in power and reset switches
- Two 115 VAC convenience outlets
- Partial open / anti-tailgate feature
- 30:1 Gear Reducer Drive Train
- Variable Speed
- 20-Foot (6m) #60 Chain
- Gate tracker data output
- Selectable stop/ reverse function



Model	Chain	Speed Variable	Maximum Gate Weight	Maximum Gate Length	Minimum Gate Length	Mount	Class of Operation ¹	Voltage VAC	HP	Power Outlets	Loop Ports ²
9220	#60	1-2 Ft/sec .3-.6m/sec	2000 Lbs ³ 907 Kg	100 Ft 30m	20 Ft 6m	Pad or Pedestal ³	III, IV	208, 230, 460	2	2	2

1. III = Limited Access; IV = Restricted Access
2. Plug-in loop detector ports; open and reverse. DoorKing plug-in loop detectors only.
3. Requires 9200-135 pedestal.

9220 Slide Gate Operator

Maximum Security Slide Gate Operator

Operators w/#60 Chain

9220-381 2 HP, 208V 1 ^Ø (11.7A).....	6736.50
9220-383 2 HP, 230V 1 ^Ø (11.5A).....	6736.50
9220-385 2 HP, 208V 3 ^Ø (6.6A).....	6978.00
9220-387 2 HP, 230V 3 ^Ø (6.2A).....	6978.00
9220-389 2 HP, 460V 3 ^Ø (3.1A).....	6978.00

Choose Entrapment Protection (required) Devices

Use Type B1 (non-contact) and/or Type B2 (contact) entrapment protection devices to protect all areas where the risk of entrapment exist - see Section A1, pages 42-43.

Operator will not run without external entrapment protection devices connected to the controller board. Minimum of two (one in each direction of travel) is required. See installation manual for more information.

Loops and Loop Detectors

See section A1, page 44 for a complete list of all loop detectors, prefabricated loops and loop accessories available.

Accessories

9200-135 Mounting Pedestal	996.00
2601-270 Chain Tray Kit 10 Ft (3m) ¹	444.00
1601-197 Heater Kit 208/230 VAC ²	Note 3
1. 9200-135 required if chain tray is used.	
2. Use if temperature routinely falls below 10°F (-12°C).	
3. See Section A1, page 31 for pricing.	

Chain

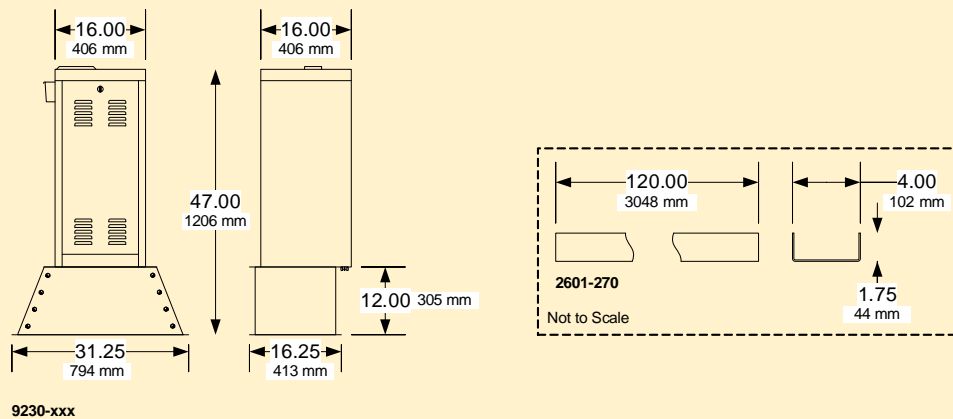
2600-448 #60 Chain, 20-Ft (6 m).....	291.00
--------------------------------------	--------

9230 Slide Gate Operator

Maximum Security Slide Gate Operator

9230

- Adjustable Limits
- Plug-in Loop Detector Ports
- Built-in power and reset switches
- Two 115 VAC convenience outlets
- Partial open / anti-tailgate feature
- 30:1 Gear Reducer Drive Train
- Variable Speed
- 20-Feet (6m) #60 Chain
- Gate tracker data output
- Selectable stop/ reverse function



Model	Chain	Speed Variable	Maximum Gate Weight	Maximum Gate Length	Minimum Gate Length	Mount	Class of Operation ¹	Voltage VAC	HP	Power Outlets	Loop Ports ²
9230	#60	1-2 Ft/sec .3-.6m/sec	5000 Lbs ³ 2267 Kg	100 Ft 30m	20 Ft 6m	Pedestal ³	III, IV	208, 230, 460	3	2	2

1. III = Limited Access; IV = Restricted Access
2. Plug-in loop detector ports; open and reverse. DoorKing plug-in loop detectors only.
3. 9200-135 pedestal included.

9230 Slide Gate Operator

Maximum Security Slide Gate Operator

Operators w/#60 Chain

9230-380 3 HP, 208V 3 ϕ (9.8A).....	9717.00
9230-381 3 HP, 230V 3 ϕ (9.6A).....	9717.00
9230-382 3 HP, 460V 3 ϕ (4.9A).....	9717.00

Choose Entrapment Protection (required) Devices

Use Type B1 (non-contact) and/or Type B2 (contact) entrapment protection devices to protect all areas where the risk of entrapment exist - see Section A1, pages 42-43.

Operator will not run without external entrapment protection devices connected to the controller board. Minimum of two (one in each direction of travel) is required. See installation manual for more information.

Loops and Loop Detectors

See section A1, page 44 for a complete list of all loop detectors, prefabricated loops and loop accessories available.

Accessories

2601-270 Chain Tray Kit 10 Ft (3m)	444.00
1601-197 Heater Kit 208/230 VAC ¹	Note 2
1. Use if temperature routinely falls below 10°F (-12°C).	
2. See Section A1, page 31 for pricing.	

Chain

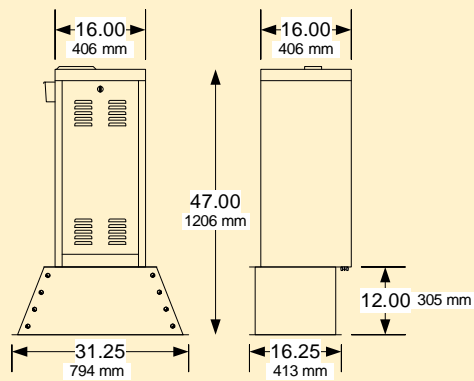
2600-448 #60 Chain, 20-Ft (6 m).....	291.00
--------------------------------------	--------

9235 Slide Gate Operator

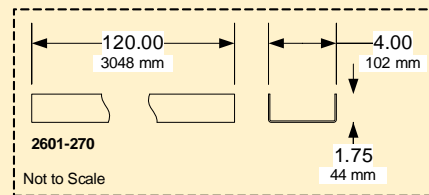
Maximum Security Slide Gate Operator

9235

- Adjustable Limits
- Plug-in Loop Detector Ports
- Built-in power and reset switches
- Two 115 VAC convenience outlets
- Partial open / anti-tailgate feature
- 10:1 Gear Reducer Drive Train
- Variable Speed
- 20-Feet (6m) #60 Chain
- Gate tracker data output
- Selectable stop/ reverse function



9235-xxx



Model	Chain	Speed Variable	Maximum Gate Weight	Maximum Gate Length	Minimum Gate Length	Mount	Class of Operation ¹	Voltage VAC	HP	Power Outlets	Loop Ports ²
9235	#60	1-4 Ft/sec .3-1.2m/sec	3000 Lbs ³ 1360 Kg	100 Ft 30m	30 Ft 9m	Pedestal ³	III, IV	208, 230, 460	3	2	2

1. III = Limited Access; IV = Restricted Access
2. Plug-in loop detector ports; open and reverse. DoorKing plug-in loop detectors only.
3. 9200-135 pedestal included.

9235 Slide Gate Operator

Maximum Security Slide Gate Operator

Operators w/#60 Chain

9235-380 3 HP, 208V 3 ϕ (12.8A).....	14,475.00
9235-381 3 HP, 230V 3 ϕ (12.6A).....	14,475.00
9235-382 3 HP, 460V 3 ϕ (6.3A).....	14,475.00

Choose Entrapment Protection (required) Devices

Use Type B1 (non-contact) and/or Type B2 (contact) entrapment protection devices to protect all areas where the risk of entrapment exist - see Section A1, pages 42-43.

Operator will not run without external entrapment protection devices connected to the controller board. Minimum of two (one in each direction of travel) is required. See installation manual for more information.

Loops and Loop Detectors

See section A1, page 44 for a complete list of all loop detectors, prefabricated loops and loop accessories available.

Accessories

2601-270 Chain Tray Kit 10 Ft (3m)	444.00
1601-197 Heater Kit 208/230 VAC ¹	Note 2
1. Use if temperature routinely falls below 10°F (-12°C).	
2. See Section A1, page 31 for pricing.	

Chain

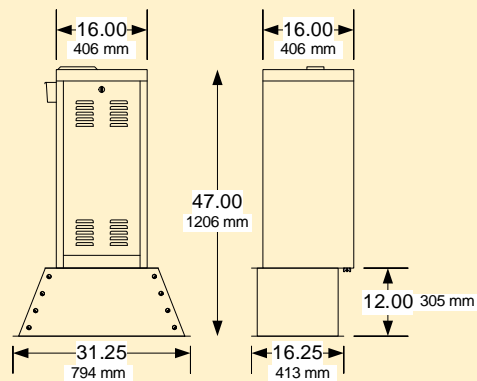
2600-448 #60 Chain, 20-Ft (6 m).....	291.00
--------------------------------------	--------

9240 Slide Gate Operator

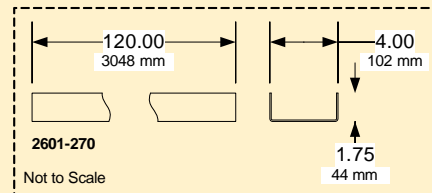
Maximum Security Slide Gate Operator

9240

- Adjustable Limits
- Plug-in Loop Detector Ports
- Built-in power and reset switches
- Two 115 VAC convenience outlets
- Partial open / anti-tailgate feature
- 30:1 Gear Reducer Drive Train
- Variable Speed
- 20-Feet (6m) #80 Chain
- Gate tracker data output
- Selectable stop/ reverse function



9240-xxx



Model	Chain	Speed Variable	Maximum Gate Weight	Maximum Gate Length	Minimum Gate Length	Mount	Class of Operation ¹	Voltage VAC	HP	Power Outlets	Loop Ports ²
9240	#80	1-2 Ft/sec .3-.6m/sec	8000 Lbs ³ 3628 Kg	100 Ft 30m	25 Ft 7.6m	Pedestal ³	III, IV	208, 230, 460	3	2	2

1. III = Limited Access; IV = Restricted Access
2. Plug-in loop detector ports; open and reverse. DoorKing plug-in loop detectors only.
3. 9200-135 pedestal included.

9240 Slide Gate Operator

Maximum Security Slide Gate Operator

Operators w/#80 Chain

9240-380 3 HP, 208V 3 ϕ (12.8A).....	14,475.00
9240-381 3 HP, 230V 3 ϕ (12.6A).....	14,475.00
9240-382 3 HP, 460V 3 ϕ (6.3A).....	14,475.00

Choose Entrapment Protection (required) Devices

Use Type B1 (non-contact) and/or Type B2 (contact) entrapment protection devices to protect all areas where the risk of entrapment exist - see Section A1, pages 42-43.

Operator will not run without external entrapment protection devices connected to the controller board. Minimum of two (one in each direction of travel) is required. See installation manual for more information.

Loops and Loop Detectors

See section A1, page 44 for a complete list of all loop detectors, prefabricated loops and loop accessories available.

Accessories

2601-270 Chain Tray Kit 10 Ft (3m)	444.00
1601-197 Heater Kit 208/230 VAC ¹	Note 2
1. Use if temperature routinely falls below 10°F (-12°C).	
2. See Section A1, page 31 for pricing.	

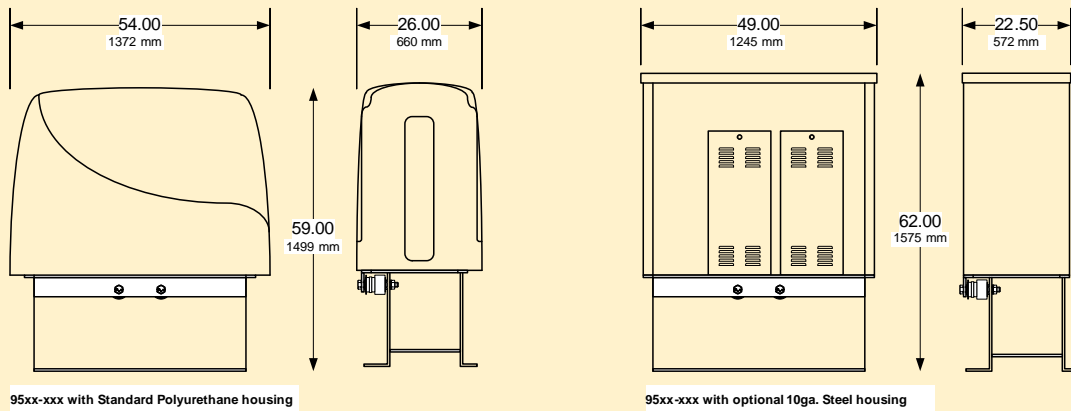
Chain

2601-268 #80 Chain, 10-Ft (3 m).....	274.50
2601-269 #80 Chain, 20-Ft (6 m).....	553.50

9500 Series

Heavy-Duty Maximum Security Slide Gate Operators

- Plug-in Loop Detector Ports
- Built-in power and reset switches
- Two 115 VAC convenience outlets
- Partial open / anti-tailgate feature
- Variable Speed
- 20-Foot (6m)
- Gate tracker data output
- Selectable stop/ reverse function



Model	Chain	Speed Variable	Maximum Gate Weight	Maximum Gate Length	Minimum Gate Length	Class of Operation ¹	Voltage VAC	HP	Gearbox Ratio	Magnetic Brake	Power Outlets	Loop Ports ²
9550	#100	1-2 Ft/sec .3-.6m/sec	15,000 Lbs ³ 6803 Kg	160 Ft 48m	25 Ft 7.6m	III, IV	208, 230, 460	5	30:1	Option	2	2
9555	#100	1-2 Ft/sec .3-.6m/sec	15,000 Lbs ³ 6803 Kg	160 Ft 48m	25 Ft 7.6m	III, IV	208, 230, 460	5	10:1	Standard	2	2
9570	#100	1-2 Ft/sec .3-.6m/sec	25,000 Lbs ³ 11,339 Kg	160 Ft 48m	25 Ft 7.6m	III, IV	208, 230, 460	7.5	30:1	Option	2	2
9575	#100	1-2 Ft/sec .3-.6m/sec	25,000 Lbs ³ 11,339 Kg	160 Ft 48m	25 Ft 7.6m	III, IV	208, 230, 460	7.5	10:1	Standard	2	2
9590	#100	1-2 Ft/sec .3-.6m/sec	28,000 Lbs ³ 12,700 Kg	160 Ft 48m	25 Ft 7.6m	III, IV	208, 230, 460	10	30:1	Option	2	2
9595	#100	1-2 Ft/sec .3-.6m/sec	28,000 Lbs ³ 12,700 Kg	160 Ft 48m	25 Ft 7.6m	III, IV	208, 230, 460	10	10:1	Standard	2	2

1. III = Limited Access; IV = Restricted Access
2. Plug-in loop detector ports; open and reverse. DoorKing plug-in loop detectors only.
3. Assumes gate to be in good mechanical condition running on a level plane.

9500 Series

Heavy-Duty Maximum Security Slide Gate Operators

All orders for 9500 Series operators must be coordinated through the Regional Sales Manager. DoorKing order entry personnel will not enter the order into our manufacturing system until the RSM has approved the order. **Distributors must place orders through their RSM to confirm pricing.**

For any product that requires modification to meet project specifications, written instructions and specifications are required from the contractor before production begins.

Operators will not run without external entrapment protection devices connected to the controller board. Minimum of two (one in each direction of travel) is required. See installation manual for more information.

These operators are built to order and are not in finished goods inventory. Expect up to four weeks lead-time for delivery of these products.

95x0 Standard Components

VF AC Drive Assembly - 30:1 Gearbox

9550

9550-380 5 HP, 208V 3 ^Ø	Call for Price
9550-381 5 HP, 230V 3 ^Ø	Call for Price
9550-382 5 HP, 460V 3 ^Ø	Call for Price

9570

9570-380 7.5 HP, 208V 3 ^Ø	Call for Price
9570-381 7.5 HP, 230V 3 ^Ø	Call for Price
9570-382 7.5 HP, 460V 3 ^Ø	Call for Price

9590

9590-380 10 HP, 208V 3 ^Ø	Call for Price
9590-381 10 HP, 230V 3 ^Ø	Call for Price
9590-382 10 HP, 460V 3 ^Ø	Call for Price

Options

9550-205 Steel Housing ¹	4,300.50
9550-206 Steel Housing w/Access Door ²	5,070.00
2601-440 Magnetic Brake ³	3,498.00
2601-441 Magnetic Brake ⁴	4,153.50
4001-101 Transformer ⁵	Call for Price

1. Replaces the polyurethane housing with a 10 Ga. steel housing.
2. Same as above, but includes manual gate operation access door.
3. Use with 7.5 and 10 HP units.
4. Use with 5 HP units.
5. Boost transformer is required if source power is 208 or 230 Volt single-phase.

95x5 Standard Components

VF AC Drive Assembly - Magnetic Brake - 10:1 Gearbox

9555

9555-380 5 HP, 208V 3 ^Ø	Call for Price
9555-381 5 HP, 230V 3 ^Ø	Call for Price
9555-382 5 HP, 460V 3 ^Ø	Call for Price

9575

9575-380 7.5 HP, 208V 3 ^Ø	Call for Price
9575-381 7.5 HP, 230V 3 ^Ø	Call for Price
9575-382 7.5 HP, 460V 3 ^Ø	Call for Price

9595

9595-380 10 HP, 208V 3 ^Ø	Call for Price
9595-381 10 HP, 230V 3 ^Ø	Call for Price
9595-382 10 HP, 460V 3 ^Ø	Call for Price

Options

9550-205 Steel Housing ¹	4,300.50
9550-206 Steel Housing ²	5,070.00
4001-101 Transformer ³	Call for Price

1. Replaces the polyurethane housing with a 10 Ga. steel housing.
2. Same as above, but includes manual gate operation access.
3. Boost transformer is required if source power is 208 or 230 Volt single-phase.

9200 & 9500 Series

Accessories

Chain

2601-268 #80 Chain, 10-Ft (3 m)	274.50
2601-269 #80 Chain, 20-Ft (6 m)	553.50
2601-272 #100 Chain, 20-Ft (6 m)	603.00

Accessories

2601-270 Chain Tray kit 10-Ft (3 m).....	444.00
1601-197 Heater Kit 208/230 VAC ¹	Note 2
1601-198 Heater Kit 480 VAC ¹	Note 2

1. Use if temperature routinely falls below 10°F (-12°C).
2. See Section A1, page 31 for pricing.

Entrapment protection Devices

9500 Series operators require two (2) entrapment protection devices in EACH direction of travel. See Section A1, pages 42-43.

Operators will not run without entrapment protection devices installed.

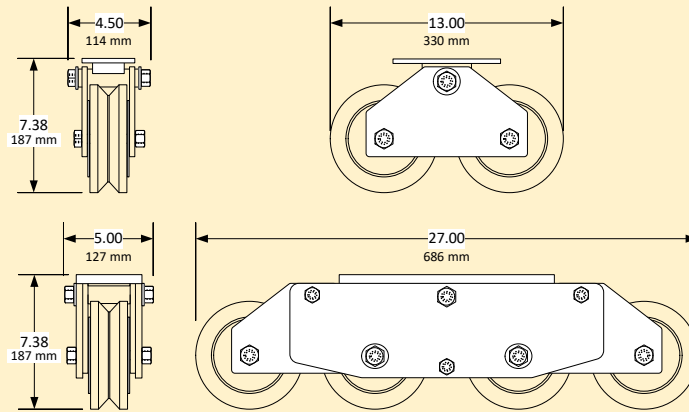
Loops and Loop Detectors

See Section A1, page 44 for loop detectors, prefabricated loops and loop accessories.

Slide Gate Accessories

Heavy-Duty V-Wheel Assemblies

The tandem and quad wheel assemblies are designed for extremely heavy gates. The tandem and quad assemblies distribute the gate weight across a wider area of the gate track. A critical component of these very heavy gates is the track that the gate rolls on. The track must be of a hardened material capable of supporting these extreme weights.



Heavy-Duty V-Wheel Assemblies

6-Inch (152 mm) Heavy-Duty Tandem V-Wheel Assembly
 1201-215¹ Call for Price

6-Inch (152 mm) Heavy-Duty Quad V-Wheel Assembly
 1201-250² Call for Price

1. Assembly is rated for 14,000 lb. (3175 Kg), two (2) required per gate. Maximum gate weight is 28,000 lb. (12,700 Kg). Each wheel is supporting 7,000 lb. (3175 Kg).

2. Assembly is rated for 14,000 lb. (3175 Kg), two (2) required per gate. Maximum gate weight is 28,000 lb. (12,700 Kg). Each wheel is supporting 3,500 lb. (1587 Kg).

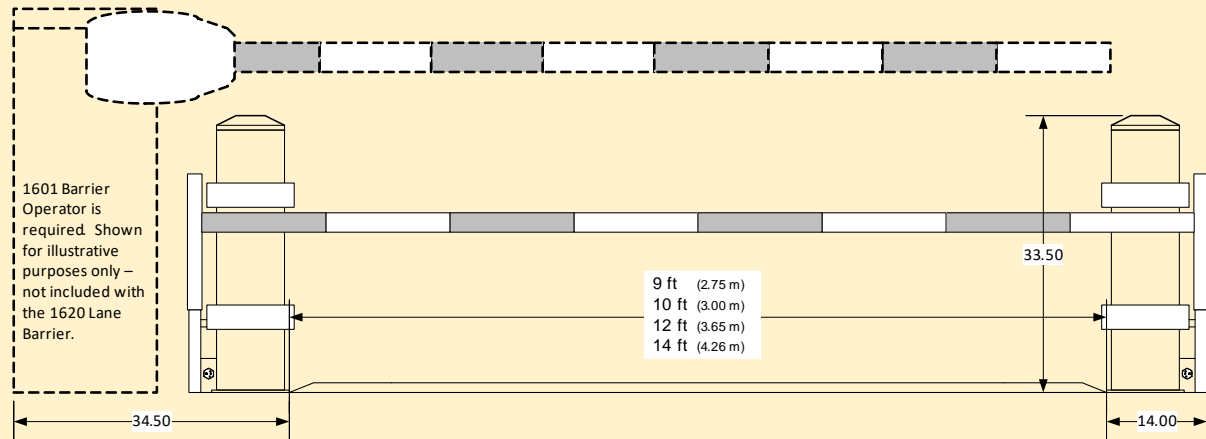
Heavy-Duty V-Wheel

6-Inch (152 mm) Heavy-Duty Replacement V-Wheel
 1202-000 Steel w/sealed bearings Call for Price

- 7000 Lb. (3175 Kg) maximum weight

1620 Lane Barrier (Add-On)

Traffic Control Automated Barrier



P/N	Lane Opening	Overall Dimensions			Price
		Height	Width	Depth	
1620-080	9 Ft.	33.5 In.	13 Ft., 6 In.	5 Ft.	22,581.00
1620-081	10 Ft.	33.5 In.	14 Ft., 6 In.	5 Ft.	23,107.50
1620-083	12 ft.	33.5 In.	16 Ft., 6 In.	5 Ft.	24,423.00
1620-085	14 ft.	33.5 In.	18 Ft., 6 In.	5 Ft.	25,036.50

1. The 1620 Lane Barrier IS NOT a stand-alone product. It must be used with the 1601 Barrier Gate Operator (Section A1, page 8-9).
2. 1620 Lane Barrier is not crash rated.
3. Traffic signal kit (1603-222) MUST be installed on the 1601 operator.
4. Designed for use with passenger cars and light trucks.
5. Must use octagonal barrier arm (1601-555 or 1601-567) and 8080-096 Red/Green Reverse Edge Kit with this lane barrier.

Blank Page