





## Table of Contents

### Card Readers

DK Prox Proximity Card Readers.....	4
HID Card Readers.....	6
AWID Card Readers .....	8
ID-Teck Card Readers .....	10

### Keypads

Digital Key Pads .....	12
------------------------	----

### RF Controls

MicroPlus RF Controls .....	14
MicroClik RF Controls .....	16

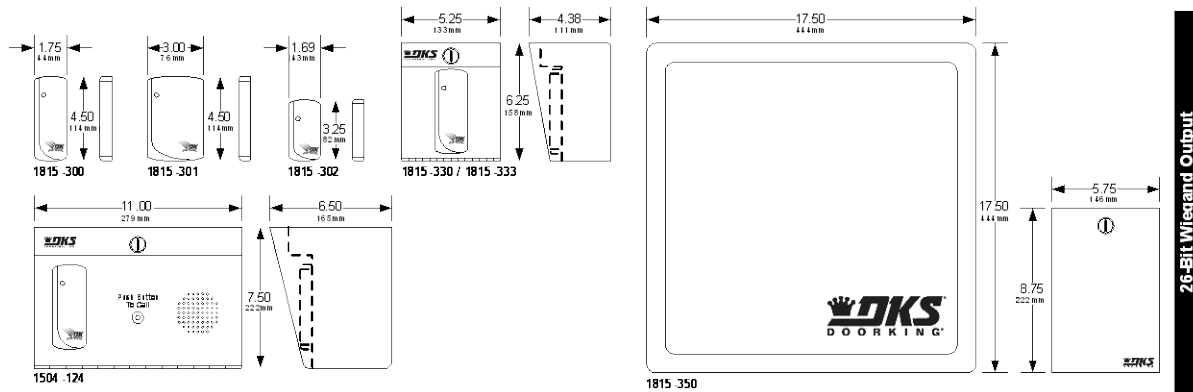
### Miscellaneous Controls

Key Switches .....	18
Exit Push Buttons.....	19
Postal & Fire Department Lock Boxes .....	20

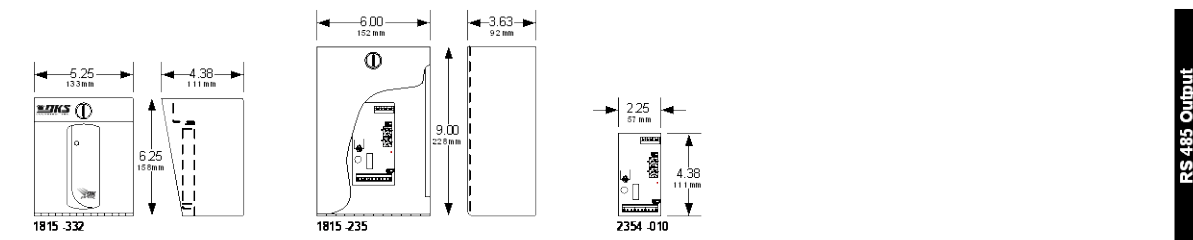
### Door and Gate Locks

1200 Lb. Magnetic Door Locks .....	22
600 Lb. Magnetic Door Locks .....	23
300 Lb. Mini-locks, 2000 Lb. Shear Lock.....	24
1200 Lb, 600 Lb. Magnetic gate Locks.....	25
Electric Dead-bolts and Door Strikes .....	26
Magnetic Door Backup Power Supplies.....	27

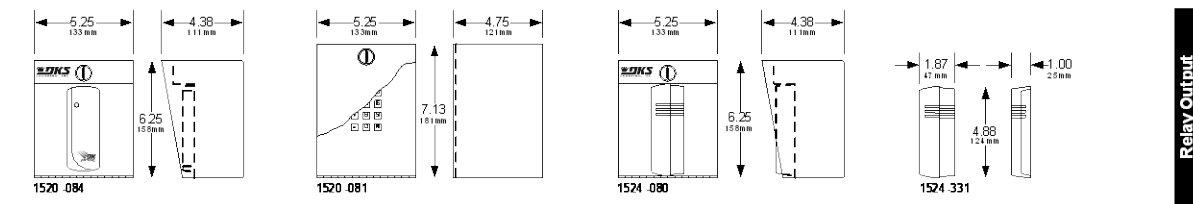
## DK Prox Card Readers



26-Bit Wiegand Output



RS-485 Output



Relay Output

### 26-Bit Wiegand Output

1815-300 Up to 3-inch range.....	138.00
1815-301 Up to 4-inch range.....	138.00
1815-302 Up to 2-inch range.....	138.00
1815-330 (1815-300 reader w/enclosure).....	258.00
1815-333 (1815-330 w/expansion board).....	836.00
1815-350 Up to 25-foot range.....	2948.00
1504-124 (1815-300 w/intercom substation).....	614.00

### RS-485 Output (ACCESS PLUS ONLY)

1815-332 Up to 3-inch range.....	432.00
1815-235 (2354-010 w/enclosure).....	316.00
2354-010 (26-Bit Wiegand to RS-485 converter).....	180.00

### Relay Output (Stand Alone)

1520-084.....	782.00
1520-081 Controller only.....	722.00
<ul style="list-style-type: none"> <li>1520 reader/controller can store up to 1000 card codes</li> <li>3600 event history buffer</li> <li>Built-in programming keypad</li> <li>Timed anti-pass back, hold open time zones</li> </ul>	
1524-080 (1524-331 w/enclosure).....	470.00
1524-331.....	348.00
1815-340 Replacement Programmer.....	57.34
<ul style="list-style-type: none"> <li>1524 reader can store up to 1000 card codes</li> <li>Use 1815-340 hand held programmer to add / delete individual cards or blocks of cards</li> </ul>	

## DK Prox Cards

**Cards are sold in blocks of 50 only.**

**These cards are factory pre-coded. Card numbers may, or may not be, in numerical sequence.**

**1508-120 Clamshell Cards**

50-100.....	5.06
150-500.....	4.66
550-950.....	4.26
1000+.....	3.86

**1508-121 ISO Graphics Cards**

50-100.....	7.00
150-500.....	6.60
550-950.....	6.20
1000+.....	5.80

**1508-123 Key Tags**

50-100.....	7.48
150-500.....	7.08
550-950.....	6.68
1000+.....	6.28

**UHF DK Prox Cards**

**These cards are factory pre-coded. Card numbers may, or may not be, in numerical sequence.**

1508-191 ISO Card UHF Only .....	12.02
1508-198 ISO Card UHF/DK Prox Dual Tech.....	14.20
1815-318 Windshield Holder .....	4.36
1815-319 Rearview Mirror Holder .....	4.36

1508-191 can only be used with 1815-350 card reader. 1508-198 dual technology card can be used with both 1815-350 and all other DK Prox card readers.

**DKProx Card Identifier for PC**

1815-640.....	126.00
---------------	--------

This stand-alone accessory connects to a PC via a USB cable and will read the card code when presented to the identifier. This is useful for cards that have no numbers printed on them or the card number has worn off.

Requires software, for free download go to:  
<http://www.doorking.com/accessories/access-control-accessories/dkprox-card-identifier>

**Special Order cards are sold in blocks of 100 only.**

**DK Prox Cards - Special Order<sup>1</sup>**

**These cards include sequential coding, specific card numbers and specific start / stop numbering sequences.**

**1508-127 Clamshell Cards**

50-100.....	7.48
150-500.....	7.08
550-950.....	6.68
1000+.....	6.28

**1508-128 ISO Graphics Cards**

50-100.....	9.40
150-500.....	9.00
550-950.....	8.60
1000+.....	8.20

**1508-129 Key Tags**

50-100.....	9.90
150-500.....	9.50
550-950.....	9.10
1000+.....	8.70

**UHF DK Prox Cards – Special Order<sup>1</sup>**

**These cards include sequential coding, specific card numbers and specific start / stop numbering sequences.**

1508-190 ISO Card UHF Only .....	14.20
1508-197 ISO Card UHF/DK Prox Dual Tech .....	16.38
1815-318 Windshield Holder .....	4.36
1815-319 Rearview Mirror Holder .....	4.36

**1508-195 Headlight Tag**

1-50.....	13.10
51-150.....	12.30
151-500.....	11.50
501-999.....	10.70
1000+.....	9.90

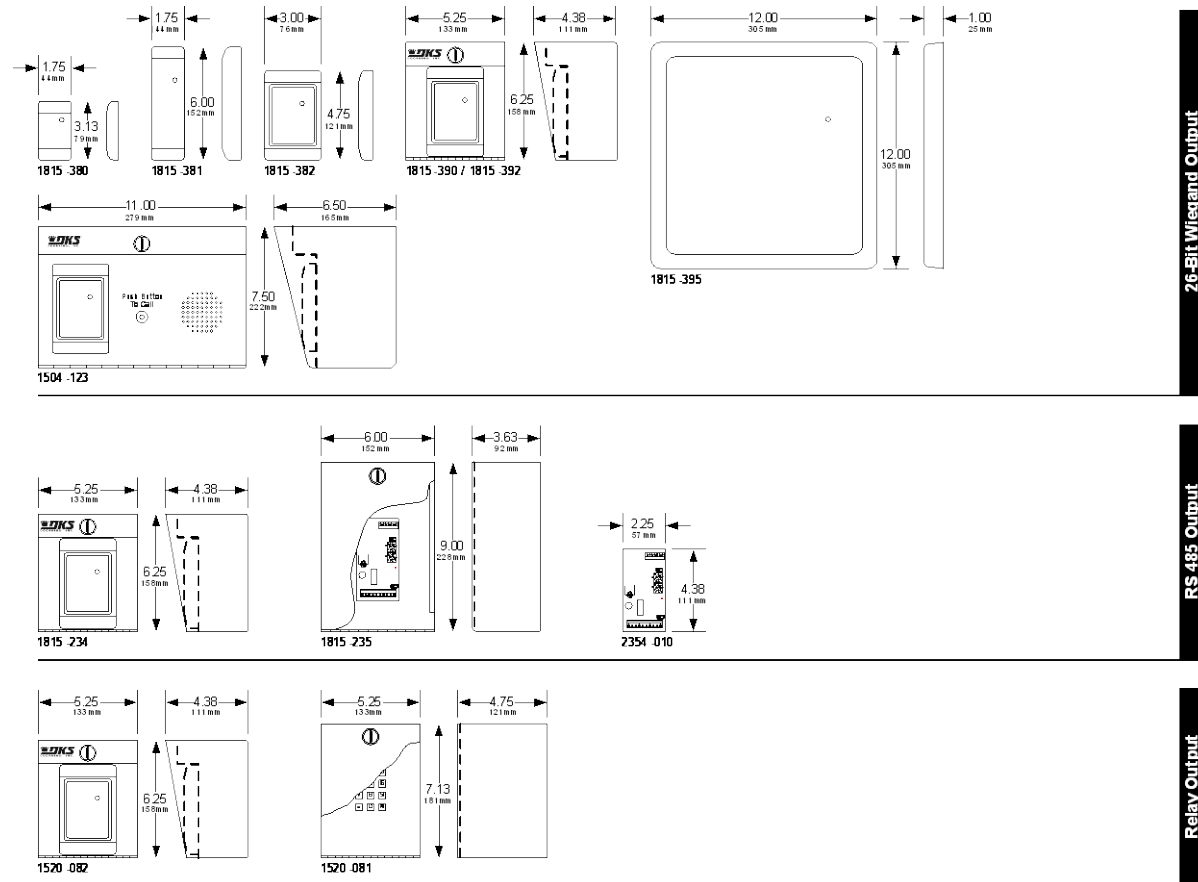
**1508-199 License Plate Tag**

1-50.....	13.10
51-150.....	12.30
151-500.....	11.50
501-999.....	10.70
1000+.....	9.90

1508-191, 1508-195 and 1508-199 can only be used with 1815-350 card reader. 1508-198 dual technology cards can be used with both 1815-350 and all other DK Prox card readers.

Note 1: Special orders cannot be returned for credit.

## HID Proximity Card Readers



### 26-Bit Wiegand Output

1815-380 (ProxPoint Plus) Up to 3-inch range.....	326.00
1815-381 (MiniProx) Up to 5-inch range .....	638.00
1815-382 (ThinLine) Up to 5-inch range .....	612.00
1815-390 (1815-382 reader w/enclosure).....	704.00
1815-392 (1815-390 w/expansion board) .....	1222.00
1504-123 (1815-382 w/intercom substation).....	796.00
1815-395 (MaxiProx) Up to 6-foot range .....	1926.00
• Use 1508-014 Active Tags with 1815-395	

### RS-485 Output (ACCESS PLUS ONLY)

1815-234 (ThinLine) Up to 5-inch range .....	916.00
1815-235 (2354-010 w/enclosure) .....	316.00
2354-010 (26-Bit Wiegand to RS-485 converter).....	180.00

### Relay Output (Stand Alone)

1520-082.....	1058.00
1520-081 Controller only .....	722.00
• 1520 reader/controller can store up to 1000 card codes	
• 3600 event history buffer	
• Built-in programming keypad	
• Timed anti-pass back, hold open time zones	

## HID Prox Cards

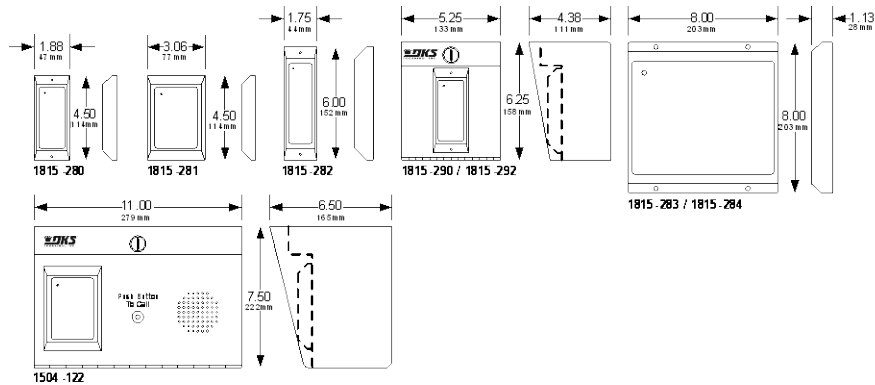
**Cards are sold in blocks of 50 only.**

**Special order cards are sold in blocks of 100 only.**

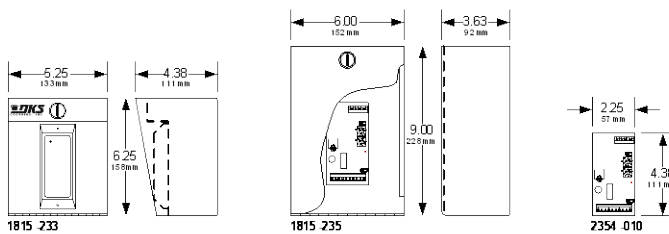
<b>HID Prox Cards</b>	
These cards are factory pre-coded. Card numbers may, or may not be, in numerical sequence.	
<b>1508-018 ProxCard Clamshell Cards</b>	
50-100.....	7.48
150-500.....	7.08
550-950.....	6.68
1000+.....	6.28
<b>1508-017 Prox ISO Graphics Cards</b>	
50-100.....	11.82
150-500.....	11.42
550-950.....	11.02
1000+.....	10.62
<b>1508-016 ProxKey Key Tags</b>	
50-100.....	12.30
150-500.....	11.90
550-950.....	11.50
1000+.....	11.10

<b>HID Prox Cards - Special Order<sup>1</sup></b>	
These cards include sequential coding, specific card numbers and specific start / stop numbering sequences.	
<b>1508-143 ProxCard Clamshell Cards</b>	
50-100.....	9.90
150-500.....	9.50
550-950.....	9.10
1000+.....	8.70
<b>1508-144 Prox ISO Graphics Cards</b>	
50-100.....	14.22
150-500.....	13.82
550-950.....	13.42
1000+.....	13.02
<b>1508-145 ProxKey Key Tags</b>	
50-100.....	14.70
150-500.....	14.30
550-950.....	13.90
1000+.....	13.50
<b>1508-014 ProxPass Active Tags (use with 1815-395 only)</b>	
1-9.....	95.86
10-30.....	92.86
40-100.....	89.96
110-490.....	86.96
500+.....	83.96
Note 1: Special orders cannot be returned for credit.	

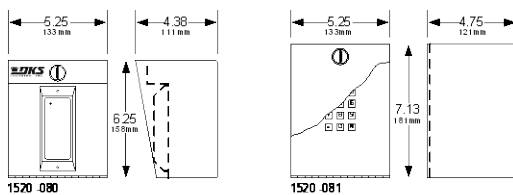
## AWID Proximity Card Readers



26-Bit Wiegand Output



RS-485 Output



Relay Output

### 26-Bit Wiegand Output

1815-280 (SR 2400) Up to 4-inch range .....	218.00
1815-281 (SP 6820) Up to 8-inch range .....	390.00
1815-282 (MM 6800) Up to 2-inch range .....	390.00
1815-290 (1815-280 reader w/enclosure) .....	326.00
1815-292 (1815-290 w/expansion board) .....	842.00
1815-283 (MR 1824) Up to 24 inch range .....	782.00
1815-284 (MR 1824 MC) Up to 16 inch range .....	964.00
1504-122 (1815-281 w/intercom substation) .....	694.00

### RS-485 Output (ACCESS PLUS ONLY)

1815-233 Up to 3-inch range .....	516.00
1815-235 (2354-010 w/enclosure) .....	316.00
2354-010 (26-Bit Wiegand to RS-485 converter) .....	180.00

### Relay Output (Stand Alone)

1520-080 .....	868.00
1520-081 Controller only .....	722.00

- 1520 reader/controller can store up to 1000 card codes
- 3600 event history buffer
- Built-in programming keypad
- Timed anti-pass back, hold open time zones



## AWID Prox Cards

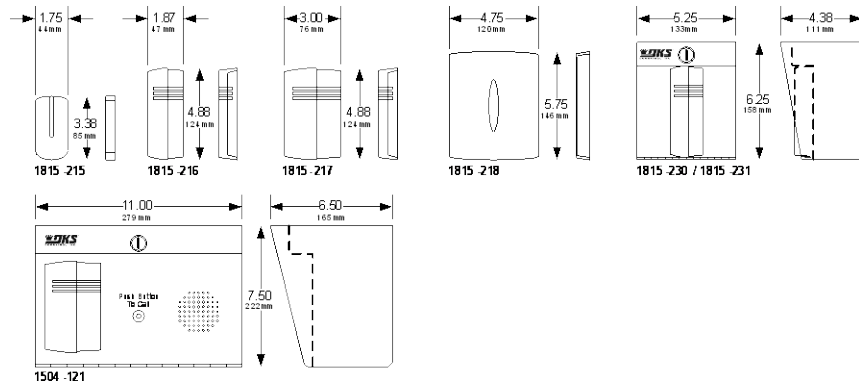
**Cards are sold in blocks of 50 only.**

**Special order cards are sold in blocks of 100 only.**

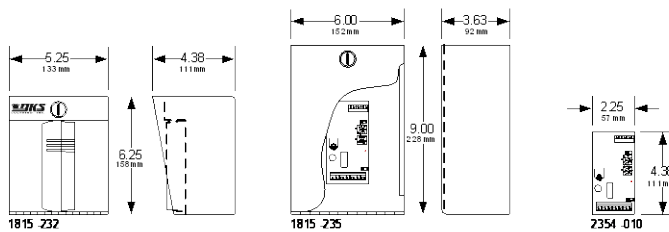
<b>AWID Prox Cards</b>	
These cards are factory pre-coded. Card numbers may, or may not be, in numerical sequence.	
<b>1508-020 Prox-Linc Clamshell Cards</b>	
50-100.....	6.26
150-500.....	5.86
550-950.....	5.46
1000+.....	5.06
<b>1508-021 Prox-Linc GR ISO Graphics Cards</b>	
50-100.....	9.52
150-500.....	9.12
550-950.....	8.72
1000+.....	8.32
<b>1508-022 Prox-Linc KT Key Tags</b>	
50-100.....	10.12
150-500.....	9.72
550-950.....	9.32
1000+.....	8.92

<b>AWID Prox Cards - Special Order<sup>1</sup> (minimum 100)</b>	
These cards include sequential coding, specific card numbers and specific start / stop numbering sequences.	
<b>1508-132 Prox-Linc Clamshell Cards</b>	
50-100.....	8.68
150-500.....	8.28
550-950.....	7.88
1000+.....	7.48
<b>1508-133 Prox-Linc GR ISO Graphics Cards</b>	
50-100.....	11.92
150-500.....	11.52
550-950.....	11.12
1000+.....	10.72
<b>1508-134 Prox-Linc KT Key Tags</b>	
50-100.....	12.52
150-500.....	12.12
550-950.....	11.72
1000+.....	11.32
Note 1: Special orders cannot be returned for credit.	

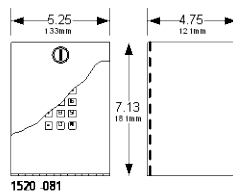
## ID-Teck Proximity Card Readers



26-Bit Wiegand Output



RS-485 Output



Relay Output

### 26-Bit Wiegand Output

1815-215 (RF Tiny) Up to 3-inch range .....	228.00
1815-216 (RF 10) Up to 3-inch range .....	228.00
1815-217 (RF 20) Up to 3-inch range .....	228.00
1815-218 (RF 30) Up to 12 inch range .....	626.00
1815-230 (1815-216 reader w/enclosure) .....	322.00
1815-231 (1815-230 w/expansion board) .....	826.00
1504-121 (1815-217 w/intercom substation) .....	700.00

### RS-485 Output (ACCESS PLUS ONLY)

1815-232 Up to 3-inch range .....	504.00
1815-235 (2354-010 w/enclosure) .....	316.00
2354-010 (26-Bit Wiegand to RS-485 converter) .....	180.00

### Relay Output (Stand Alone)

1520-081 Controller only .....	722.00
--------------------------------	--------

- 1520 reader/controller can store up to 1000 card codes
- 3600 event history buffer
- Built-in programming keypad
- Timed anti-pass back, hold open time zones

## ID-Teck Prox Cards

Note: cards will work with the following ID-Teck Prox readers only:  
 1815-215, 1815-216, 1815-217, 1815-218, 1815-230, 1815-231, 1504-121

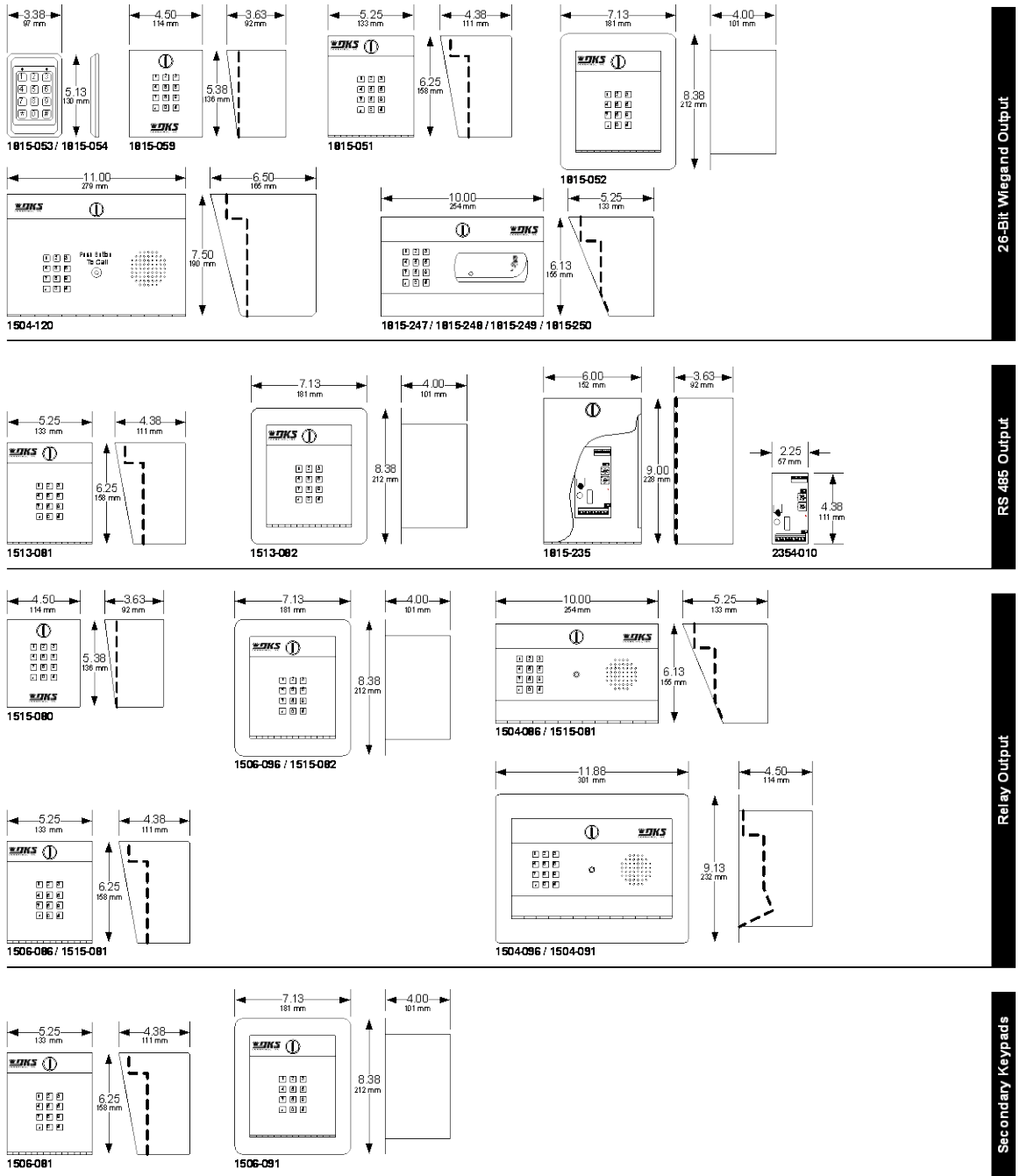
**Cards are sold in blocks of 50 only.**

<b>ID-Teck Prox Cards</b>	
These cards are factory pre-coded. Card numbers may, or may not be, in numerical sequence.	
<b>1508-110 RF 170 Clamshell Cards</b>	
50-100.....	7.32
150-500.....	6.92
550-950.....	6.52
1000+.....	6.12
<b>1508-111 RF 80 ISO Graphics Cards</b>	
50-100.....	11.82
150-500.....	11.42
550-950.....	11.02
1000+.....	10.62
<b>1508-112 RF 50 Key Tags</b>	
50-100.....	12.52
150-500.....	12.12
550-950.....	11.72
1000+.....	11.32

**Special order cards are sold in blocks of 100 only.**

<b>ID-Teck Prox Cards - Special Order<sup>1</sup></b>	
These cards include sequential coding, specific card numbers and specific start / stop numbering sequences.	
<b>1508-136 RF 170 Clamshell Cards</b>	
50-100.....	9.74
150-500.....	9.34
550-950.....	8.94
1000+.....	8.54
<b>1508-137 RF 80 ISO Graphics Cards</b>	
50-100.....	14.22
150-500.....	13.82
550-950.....	13.42
1000+.....	13.02
<b>1508-138 RF 50 Key Tags</b>	
50-100.....	14.94
150-500.....	14.54
550-950.....	14.14
1000+.....	13.74
Note 1: Special orders cannot be returned for credit.	

# Keypads



## Keypads

### 26-Bit Wiegand Output

**These keypads must be connected to a 26-bit wiegand controller, such as the DK 1830 Series. They are not stand-alone devices.**

1815-053 (Silver finish) .....	890.00
1815-054 (Black finish).....	890.00

- Vandal resistant, piezoelectric, 5-12 VDC.
- Mounts on single-gang electric box.

1815-059 Surface Mount .....	412.00
------------------------------	--------

- Low power solar mode.

1815-051 Surface Mount .....	532.00
1815-052 Flush Mount.....	662.00

1504-120 Surface Mount w/intercom substation .....	808.00
--	--------

1815-247 Surface Mount .....	1034.00
------------------------------	---------

- Keypad with ID Tech (1815-216) card reader.

1815-248 Surface Mount .....	1072.00
------------------------------	---------

- Keypad with AWID (1815-281) card reader.

1815-249 Surface Mount .....	1192.00
------------------------------	---------

- Keypad with HID (1815-382) card reader.

1815-250 Surface Mount .....	990.00
------------------------------	--------

- Keypad with DK Prox (1815-300) card reader.

### RS-485 Output (ACCESS PLUS ONLY)

**These keypads must be connected to a RS-485 controller, such as the DK Access Plus Series. They are not stand-alone devices.**

1513-081 Surface Mount .....	542.00
1513-082 Flush Mount.....	674.00
1815-235 (2354-010 w/enclosure).....	316.00
2354-010 (26-Bit Wiegand to RS-485 converter) .....	180.00

### Relay Output (Stand Alone)

**These keypads use a dry relay(s) contact and are designed to be used as a stand-alone device.**

1506-086 Surface Mount .....	662.00
1506-096 Flush Mount.....	796.00
1504-086 Surface Mount w/intercom substation .....	820.00
1504-096 Flush Mount w/intercom substation.....	1012.00

- 2 Form C dry contact relays.
- 1000 four (4) digit entry codes.
- 6 five (5) digit entry codes.
- Hold open codes.
- Time zone inputs.

1515-080 Surface Mount .....	390.00
------------------------------	--------

1515-081 Surface Mount .....	520.00
------------------------------	--------

1515-082 Flush Mount.....	642.00
---------------------------	--------

1504-081 Surface Mount w/intercom substation .....	668.00
--	--------

1504-091 Flush Mount w/intercom substation.....	732.00
---	--------

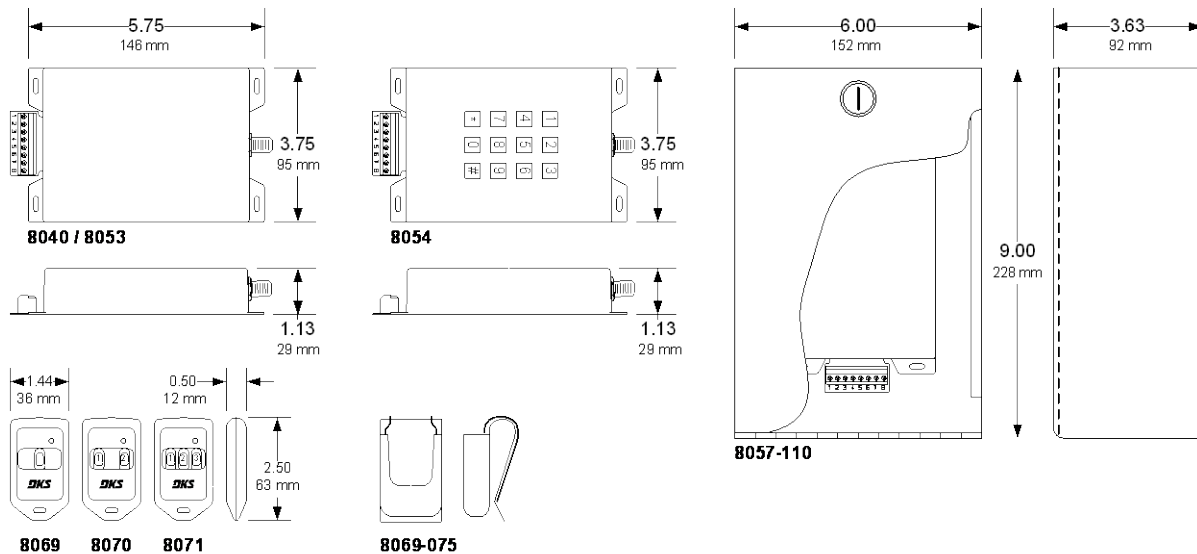
- 1 Form C dry contact relay.
- 400 four (4) or five (5) digit entry codes.
- Hold open codes.
- NFC programming with DK Manager app (free from Google Play store), Android only.
- Low power solar mode.

### Secondary Keypad

**These keypads can only be used with DK telephone entry systems.**

1506-081 Surface Mount .....	444.00
1506-091 Flush Mount.....	576.00

## MicroPLUS RF Controls



### 26-Bit Wiegand Output

8040-080 .....194.00

- 5300 Transmitter codes.
- 26, 30 or 31-bit wiegand format.

8040-090 .....194.00

- 5300 Transmitter codes.
- 26, 30 or 31-bit wiegand format.
- Compatible with Elite Series<sup>1</sup> DT-418 transmitters.

1. Elite Series is a registered trademark of The Chamberlain Group, Inc.

### RS-485 Output (ACCESS PLUS ONLY)

8053-080 .....218.00

- 5300 Transmitter codes.

### Relay Output (Stand Alone)

8040-080 100 Transmitter codes ..... 194.00

- Program via the “learn” method.
- Individual codes cannot be deleted.

8054-081 50 Transmitter codes ..... 390.00

8054-082 100 Transmitter codes ..... 458.00

8054-083 250 Transmitter codes ..... 520.00

8054-084 500 Transmitter codes ..... 584.00

8054-085 1000 Transmitter codes ..... 652.00

8054-086 1250 Transmitter codes ..... 714.00

- Built-in time clock, 10 programmable time zones.
- 2300 event history buffer.
- Can be connected to a serial printer.

### Receiver Accessories

8057-110 Lockable outdoor enclosure..... 116.00

1514-073 Coax Antenna kit..... 57.80

1514-072 High Gain antenna 318 MHz ..... 208.00

8052-080 Antenna Amplifier 318 MHz..... 240.00

**MicroPlus Transmitters / ProxMitters (Transmitter w/proximity card reader built-in)**

**IMPORTANT!** The prices shown are for block-coded transmitters ordered in multiples of 10 only. Add \$3.00 per transmitter for any order specifying transmitter numbering sequence or facility codes.

<b>8069-080 1 Button</b>	
10-30.....	37.80
40-100.....	35.80
110+.....	31.80
<b>8070-080 2 Button</b>	
10-30.....	39.90
40-100.....	37.90
110+.....	33.90
<b>8071-080 3 Button</b>	
10-30.....	42.00
40-100.....	40.00
110+.....	36.00

<b>8069-087 1 Button w/DK Prox Tag</b>	
10-30.....	47.26
40-100.....	45.26
110+.....	41.26
<b>8070-087 2 Button w/DK Prox tag</b>	
10-30.....	49.36
40-100.....	47.36
110+.....	43.36
<b>8071-087 3 Button w/DK Prox Tag</b>	
10-30.....	51.46
40-100.....	49.46
110+.....	45.46

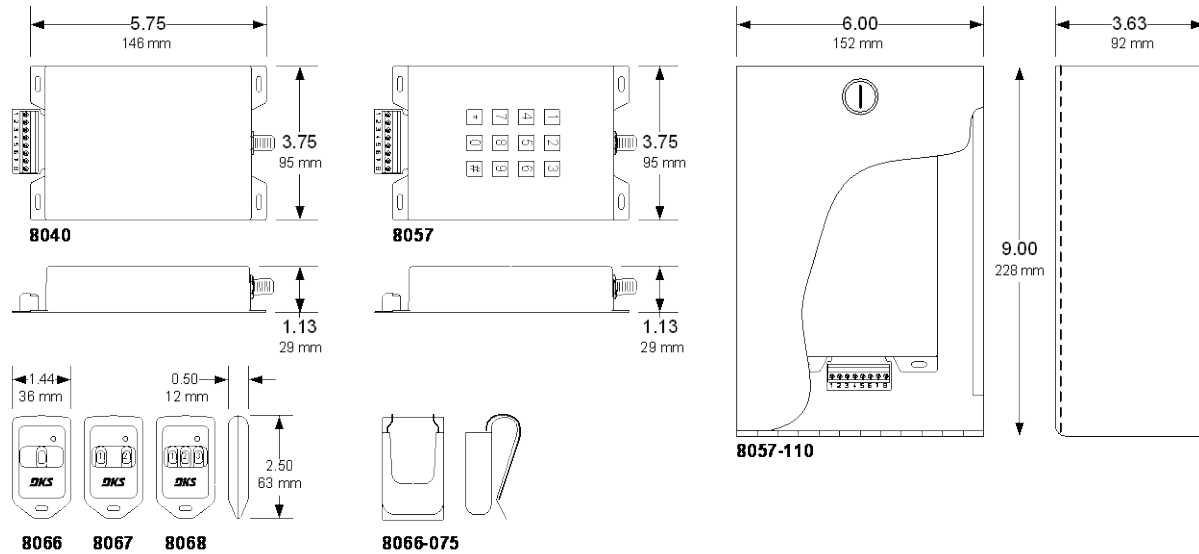
<b>8069-082 1 Button w/AWID Tag</b>	
10-30.....	47.26
40-100.....	45.26
110+.....	41.26
<b>8070-082 2 Button w/AWID Tag</b>	
10-30.....	49.36
40-100.....	47.36
110+.....	43.36
<b>8071-082 3 Button w/AWID Tag</b>	
10-30.....	51.46
40-100.....	49.46
110+.....	45.46

<b>8069-084 1 Button w/HID Tag</b>	
10-30.....	47.26
40-100.....	45.26
110+.....	41.26
<b>8070-084 2 Button w/HID Tag</b>	
10-30.....	49.36
40-100.....	47.36
110+.....	43.36
<b>8071-084 3 Button w/HID Tag</b>	
10-30.....	51.46
40-100.....	49.46
110+.....	45.46

<b>8069-086 1 Button w/IDTeck Tag</b>	
10-30.....	47.26
40-100.....	45.26
110+.....	41.26
<b>8070-086 2 Button w/IDTeck Tag</b>	
10-30.....	49.36
40-100.....	47.36
110+.....	43.36
<b>8071-086 3 Button w/IDTeck Tag</b>	
10-30.....	51.46
40-100.....	49.46
110+.....	45.46

<b>MicroPlus Visor Clips (Black)</b>	
<b>8069-075</b>	
1-30.....	3.96
31-100.....	3.46
101+.....	2.96

## MicroClik RF Controls



### 26-Bit Wiegand Output

8040-080 .....194.00

- 5300 Transmitter codes.
- 26, 30 or 31-bit wiegand format.

8040-090 .....194.00

- 5300 Transmitter codes.
- 26, 30 or 31-bit wiegand format.
- Compatible with Elite Series<sup>1</sup> DT-418 transmitters.

1. Elite Series is a registered trademark of The Chamberlain Group, Inc.

### Relay Output (Stand Alone)

8040-080 100 Transmitter codes ..... 194.00

- Program via the “learn” method.
- Individual codes cannot be deleted.

8057-081 50 Transmitter codes ..... 326.00

8057-082 100 Transmitter codes ..... 390.00

8057-083 250 Transmitter codes ..... 452.00

8057-084 500 Transmitter codes ..... 520.00

8057-085 1000 Transmitter codes ..... 584.00

8057-086 5000 Transmitter codes ..... 652.00

8057-088 16,000 Transmitter codes ..... 714.00

- Built-in time clock, 10 programmable time zones.
- 2300 event history buffer.
- Can be connected to a serial printer.

### Receiver Accessories

8057-110 Lockable outdoor enclosure..... 116.00

1514-073 Coax Antenna kit..... 57.80

1514-072 High Gain antenna 318 MHz ..... 208.00

8052-080 Antenna Amplifier 318 MHz..... 240.00



**MicroClik Transmitters / ProxMitters (Transmitter w/proximity card reader built-in)**

**IMPORTANT!** The prices shown are for block-coded transmitters ordered in multiples of 10 only. Add \$3.00 per transmitter for any order specifying transmitter numbering sequence or facility codes.

<b>8066-080 1 Button</b>	
10-30.....	39.90
40-100.....	37.90
110+.....	33.90
<b>8067-080 2 Button</b>	
10-30.....	42.00
40-100.....	40.00
110+.....	36.00
<b>8068-080 3 Button</b>	
10-30.....	44.10
40-100.....	42.10
110+.....	38.10

<b>8066-085 1 Button w/DK Prox Tag</b>	
10-30.....	49.36
40-100.....	47.36
110+.....	43.36
<b>8067-085 2 Button w/DK Prox Tag</b>	
10-30.....	51.46
40-100.....	49.46
110+.....	45.46
<b>8068-085 3 Button w/DK Prox Tag</b>	
10-30.....	53.56
40-100.....	50.56
110+.....	46.56

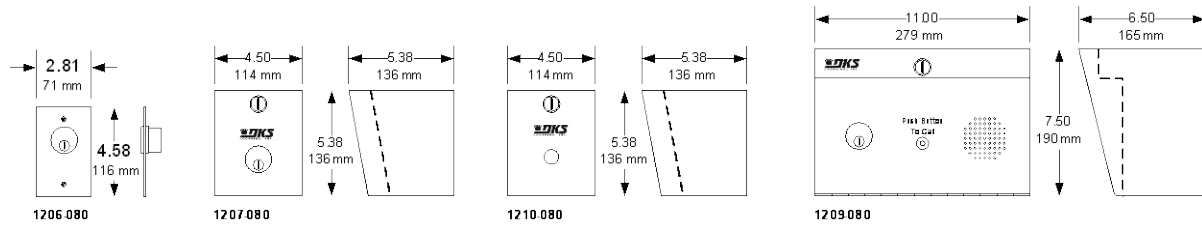
<b>8066-082 1 Button w/AWID Tag</b>	
10-30.....	49.36
40-100.....	47.36
110+.....	43.36
<b>8067-082 2 Button w/AWID Tag</b>	
10-30.....	51.46
40-100.....	49.46
110+.....	45.46
<b>8068-082 3 Button w/AWID Tag</b>	
10-30.....	53.56
40-100.....	50.56
110+.....	46.56

<b>8066-083 1 Button w/HID Tag</b>	
10-30.....	49.36
40-100.....	47.36
110+.....	43.36
<b>8067-083 2 Button w/HID Tag</b>	
10-30.....	51.46
40-100.....	49.46
110+.....	45.46
<b>8068-083 3 Button w/HID Tag</b>	
10-30.....	53.56
40-100.....	50.56
110+.....	46.56

<b>8066-084 1 Button w/IDTeck Tag</b>	
10-30.....	49.36
40-100.....	47.36
110+.....	43.36
<b>8067-084 2 Button w/IDTeck Tag</b>	
10-30.....	51.46
40-100.....	49.46
110+.....	45.46
<b>8068-084 3 Button w/IDTeck Tag</b>	
10-30.....	53.56
40-100.....	50.56
110+.....	46.56

<b>MicroClik Visor Clips (Gray)</b>	
<b>8066-075</b>	
1-30.....	3.96
31-100.....	3.46
101+.....	2.96

## Key Switches



### Mortise Key Cylinder

1206-080 .....99.34

- N.O. or N.C. operation.
- Mounts in single-gang electric box.
- Indoor use only.

1207-080 .....260.00

- N.O. or N.C. operation.
- Surface mount non-lighted enclosure.
- Indoor or outdoor use.

1209-080 .....444.00

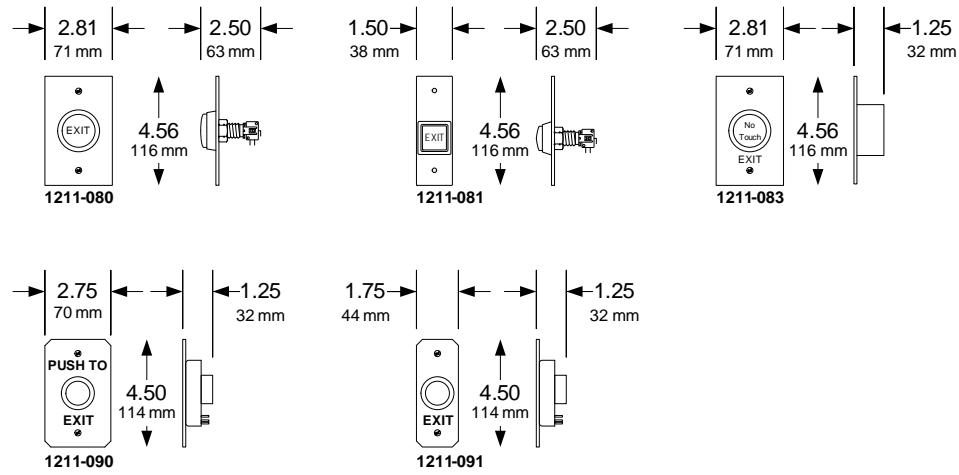
- N.O. or N.C. operation.
- Surface mount lighted enclosure.
- Indoor or outdoor use.
- Intercom substation.

### Ace Key Cylinder

1210-080.....260.00

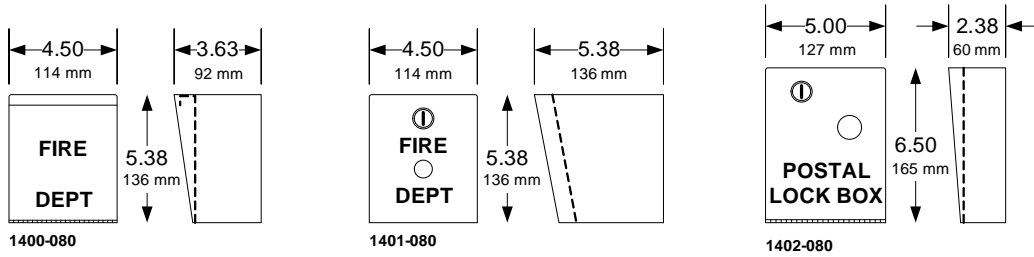
- N.O. or N.C. operation.
- Surface mount non-lighted enclosure.
- Indoor or outdoor use.

## Push Buttons



Push Button Switch		Piezoelectric Switch	
1211-080.....	62.62	1211-090.....	360.00
<ul style="list-style-type: none"> <li>Stainless steel faceplate.</li> <li>Mounts in single-gang electric box.</li> <li>Requires 12-VDC power to illuminate exit button.</li> <li>Indoor use only.</li> </ul>		<ul style="list-style-type: none"> <li>Vandal resistant stainless steel faceplate.</li> <li>Selectable illumination status (red, green).</li> <li>Mounts in single-gang electric box.</li> <li>Requires 12-24 VDC power.</li> </ul>	
1211-081.....	57.80	1211-091.....	360.00
<ul style="list-style-type: none"> <li>Stainless steel faceplate.</li> <li>Mullion mount.</li> <li>Requires 12-VDC power to illuminate exit button.</li> <li>Indoor use only.</li> </ul>		<ul style="list-style-type: none"> <li>Vandal resistant stainless steel faceplate.</li> <li>Selectable illumination status (red, green).</li> <li>Mullion mount.</li> <li>Requires 12-24 VDC power.</li> </ul>	
1211-083.....	108.00		
<ul style="list-style-type: none"> <li>No Touch exit button.</li> <li>Stainless steel faceplate.</li> <li>Mounts in single-gang electric box.</li> <li>Requires 12-VDC power.</li> <li>Indoor use only.</li> </ul>			

## Lock Boxes



### Fire Department Lock Box

1400-080.....122.00

- Accepts Fire Department padlock.
- Surface or post mounted.
- Painted bright red.
- Constant contact switch when padlock is removed and the door is open.

1401-080.....122.00

- Accepts Knox 3501 key switch.
- Surface or post mounted.
- Faceplate painted bright red.

### Postal Service Lock Box

1402-080..... 132.00

- Accepts standard postal key lock.
- Surface or post mount.
- Painted Postal blue.
- Postal lock can be installed to either activate a door or gate, or simply open the postal box.

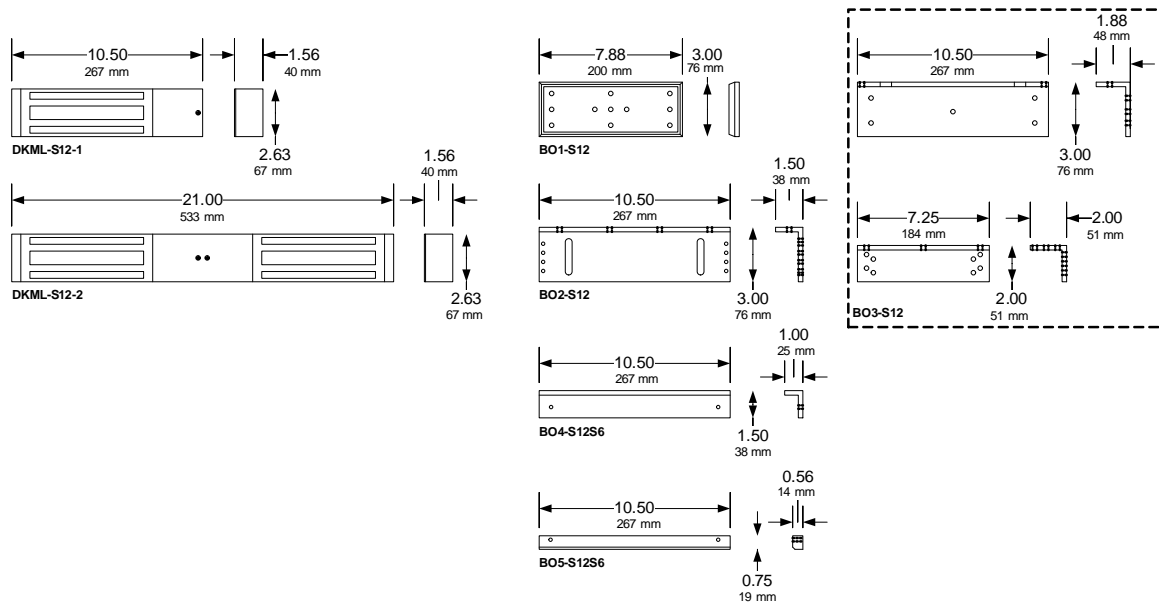
## Replacement Components

## Electronic Components

<b>LED Light Kits</b>	
1804-701.....	24.08
Use with 1209, 1504, 1506	
1804-705.....	24.08
Use with 1520 and lighted card readers	
1804-706.....	24.08
Use with 1503	

## Magnetic Door Locks

### 1200 Lb (544 Kg) Door Locks



#### Single Door Locks Surface Mount

DKML-S12-1.....	374.00
DKML-S12-1L.....	462.00
DKML-S12-1LT.....	490.00

#### Dual Door Locks Surface Mount

DKML-S12-2.....	732.00
DKML-S12-2L.....	912.00
DKML-S12-2LT.....	958.00

- Locks operate on 12 or 24 Volt DC power.
- "L" includes LED status indicator.
- "T" includes built-in time delay.

#### Mounting Brackets

BO1-S12 Armature Bracket.....	57.80
BO2-S12 L Bracket.....	57.80
BO4-S12S6 Angle Bracket.....	64.22
BO5-S12S6 Spacer Bar.....	51.96
BO3-S12 L & Z Bracket Kit.....	142.00

#### Back-up Power Supply / Charger

1215-130 12/24 Volt @ 1 Amp.....	288.00
1215-131 12/24 Volt @ 2.5 Amp.....	494.00
1215-132 12/24 Volt @ 3 Amp.....	614.00
1215-133 12/24 Volt @ 6 Amp.....	890.00

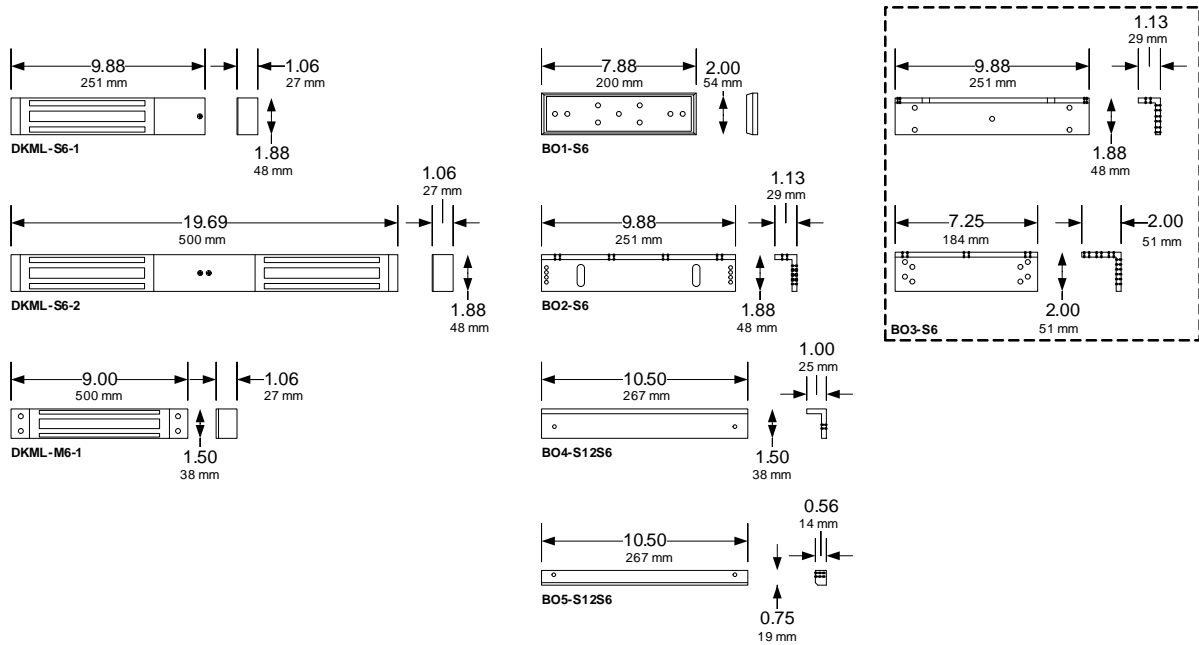
- Requires two (2) 12 Volt, 7 Ah SLA batteries (not included).

#### DC Lock Power Transformers

1812-020 12 Volt, 1000 mA.....	51.62
1812-139 24 Volt, 500 mA.....	55.56

# Magnetic Door Locks

## 600 Lb (272 Kg) Door Locks



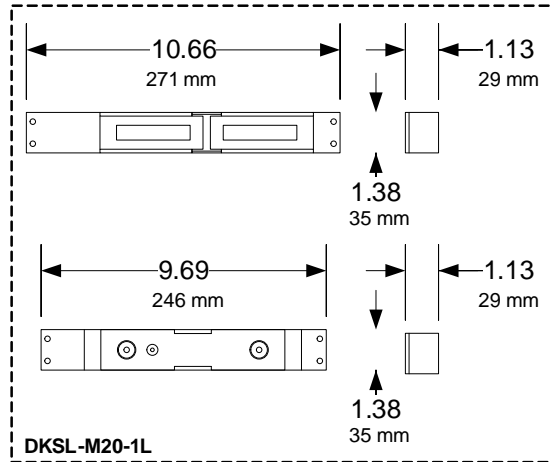
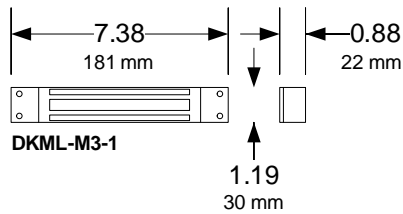
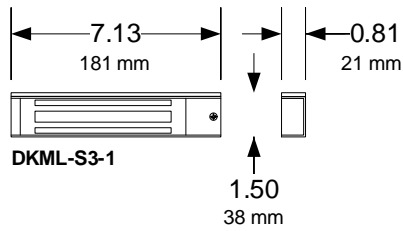
Single Door Locks Surface Mount	
DKML-S6-1 .....	344.00
DKML-S6-1L .....	384.00
DKML-S6-1LT .....	424.00
Single Door Locks Mortise Mount	
DKML-M6-1 .....	284.00
DKML-M6-1L .....	310.00
DKML-M6-1LT .....	338.00
Dual Door Locks Surface Mount	
DKML-S6-2 .....	670.00
DKML-S6-2L .....	758.00
DKML-S6-2LT .....	820.00

- Locks operate on 12 or 24 Volt DC power.
- "L" includes LED status indicator.
- "T" includes built-in time delay.

Mounting Brackets	
BO1-S6 Armature Bracket .....	57.80
BO2-S6 L Bracket .....	57.80
BO4-S12S6 Angle Bracket .....	64.22
BO5-S12S6 Spacer Bar .....	51.96
BO3-S6 L & Z Bracket Kit .....	142.00
Back-up Power Supply / Charger	
1215-130 12/24 Volt @ 1 Amp .....	288.00
1215-131 12/24 Volt @ 2.5 Amp .....	494.00
1215-132 12/24 Volt @ 3 Amp .....	614.00
1215-133 12/24 Volt @ 6 Amp .....	890.00
• Requires two (2) 12 Volt, 7 Ah SLA batteries (not included).	
DC Lock Power Transformers	
1812-020 12 Volt, 1000 mA .....	51.62
1812-139 24 Volt, 500 mA .....	55.56

## Magnetic Door Locks

### 300 Lb (136 Kg) Mini-locks and 2000 Lb (907 Kg) Shear Lock



#### 300 Lb. Door Locks

DKML-S3-1 Surface Mount .....	286.00
DKML-M3-1 Mortise Mount .....	286.00

#### 2000 Lb. Shear Lock Surface Mount

DKSL-M20-1L .....	548.00
-------------------	--------

- Locks operate on 12 or 24 Volt DC power.
- Shear lock includes LED status indicator and built-in signal relay.

#### Back-up Power Supply / Charger

1215-130 12/24 Volt @ 1 Amp.....	288.00
1215-131 12/24 Volt @ 2.5 Amp.....	494.00
1215-132 12/24 Volt @ 3 Amp.....	614.00
1215-133 12/24 Volt @ 6 Amp.....	890.00

- Requires two (2) 12 Volt, 7 Ah SLA batteries (not included).

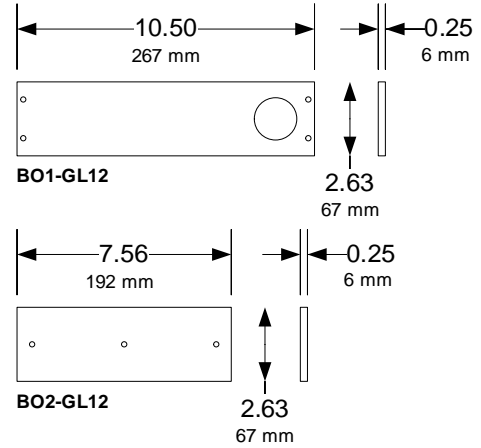
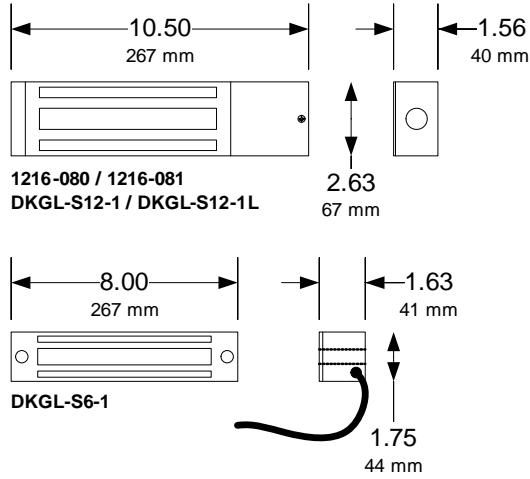
#### DC Lock Power Transformers

1812-020 12 Volt, 1000 mA.....	51.62
1812-139 24 Volt, 500 mA.....	55.56



## Magnetic Gate Locks

### 600 Lb (272 Kg) and 1200 Lb (544 Kg) Gate Locks



#### 1200 Lb. Gate Lock Kits Surface Mount

1216-080.....	474.00
1216-081.....	560.00

- 1216-081 has built-in signal relay.
- Kits include predrilled and tapped mounting brackets, BO1-GL12 and BO2-GL12.

#### 1200 Lb. Gate Locks Top, Bottom or Face Mount

DKGL-S12-1.....	396.00
DKGL-S12-1L w/Signal Relay .....	486.00

#### 600 Lb. Gate Lock Face Mount Only

DKGL-S6-1 w/Signal Relay .....	368.00
--------------------------------	--------

- Gate locks operate on 12 or 24 Volt DC power.

#### Mounting Brackets

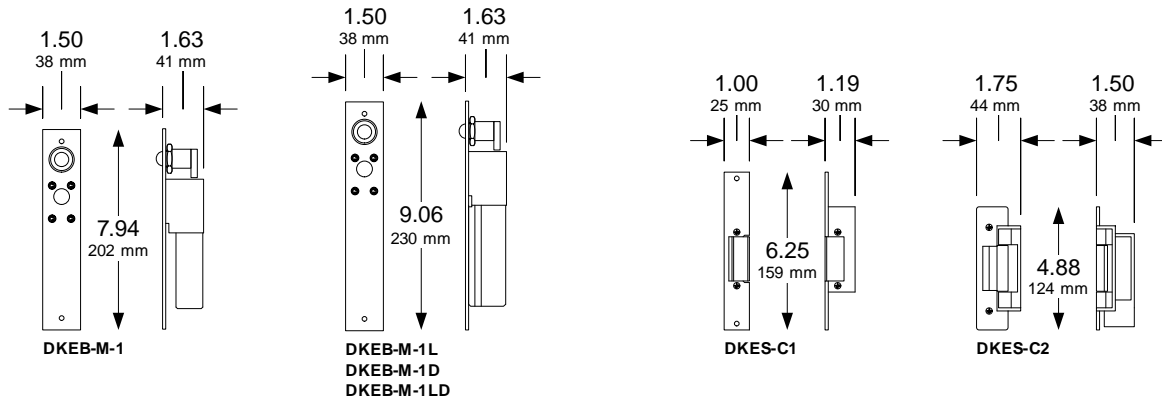
BO1-GL12 Lock Bracket .....	80.26
BO2-GL12 Armature Bracket .....	68.80

#### DC Lock Power Transformers - Regulated

1812-020 12 Volt, 1000 mA.....	51.62
1812-139 24 Volt, 500 mA.....	55.56

## Electric Door Locks

### Dead-bolts and Strikes



#### Dead-bolt Door Locks

DKEB-M-1 .....	404.00
DKEB-M-1L .....	424.00
DKEB-M-1D .....	424.00
DKEB-M-1LD .....	444.00

- "L" includes sensor to indicate locked or unlocked condition.
- "D" includes door sensor to indicate an open or closed door.

#### Electric Strikes 11/32 inch (8.74 mm) keeper

DKES-C1-1FX .....	69.82
DKES-C1-1FS .....	72.24

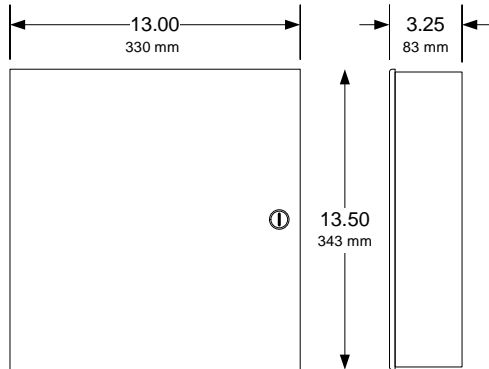
#### Electric Strikes 20/32 inch (15.88 mm) keeper

DKES-C2-1FX .....	86.68
DKES-C2-1FS .....	90.30

- FX = Fail Secure
- FS = Fail Safe

# Magnetic Door Lock Power Supply

## Power Supply / Battery Charger



Magnetic Door Lock Power Supplies <sup>1</sup>	
1215-130 12/24 Volt @ 1 Amp .....	288.00
1215-131 12/24 Volt @ 2.5 Amp .....	494.00
1215-132 12/24 Volt @ 3 Amp .....	614.00
1215-133 12/24 Volt @ 6 Amp .....	890.00
<ul style="list-style-type: none"> <li>Requires two (2) 12 Volt, 7 Ah SLA batteries (not included).</li> </ul>	

Agency Listings				
Agency	1215-130	1215-131	1215-132	1215-133
UL 294 Access Control Systems	X	X	X	X
CSA C22.2 No. 205-M1983	X	X	X	X
MEA NYC Dept. of Building Safety	X	X	X	X
NFPA 101 Life Safety	X			
UL 603 Burglar Alarm Systems		X	X	
UL 1069 Hospital Signaling / Nurse Call Equipment		X	X	
UL 1481 Power Supply for Fire Signaling Systems		X	X	X
CSFM California State Fire Marshall Approved		X	X	X
NFPA 72		X	X	X
FM Approved			X	X

## **Blank Page**