

Solar Tax Credit

Homeowners who purchase a solar powered gate operator manufactured by DoorKing, Inc. after December 31, 2008, may qualify for a 30% Federal Tax Credit off the installed cost of the system. This tax credit is available for the installed cost of the solar powered gate operator on the homeowner's Federal tax return.

The 30% [Investment Tax Credit \(ITC\)](#) for residential and commercial solar systems will expire on December 31, 2019, the ITC then steps down to 26 percent in 2020 and 22 percent in 2021. After 2021, the residential credit will drop to zero while the commercial and utility credit will drop to a permanent 10 percent. Commercial and utility projects which have commenced construction before December 31, 2021 may still qualify for the 30, 26 or 22 percent ITC if they are placed in service before December 31, 2023. The Treasury and IRS are currently drafting guidance which will inform solar developers of which percentage of ITC they will qualify for depending on when they started their project.

The solar powered Gate Operator is considered a "Qualified Solar Electric Property" authorized by the Internal Revenue Code Section 25D under the definition provided in paragraph d.2 and as such qualifies for the Residential Energy Efficient Tax Credit. You will need to complete Federal Form 5695 and attach it to your personal tax return in order to claim this credit. If you have any questions regarding this Federal Tax Credit, Form 5695 or its instructions, please consult your tax adviser. You should also check with your state tax agency to see if your state offers any additional solar energy tax incentives.

What is Covered:

The solar system tax credit applies to the total installed cost of the solar gate operator system. This includes the related solar panel, gate operator, solar control box, access control device, remote controls, obstruction detection device(s), etc.

DoorKing Model 6004 Swing Gate Operator (P/N 6004-380)*

DoorKing Model 6006 Swing Gate Actuator (P/N 6006-380)*

DoorKing Model 6400 Swing Gate Operator (P/N 6400-380)*

** To qualify, must be installed with 4302-313, 4302-314 or 4302-315 Solar Control Box*

DoorKing Model 6524-381 Swing Gate Operator

DoorKing Model 9024-381 Slide Gate Operator

DoorKing Solar Kit (P/N 2000-070)

DoorKing Solar Panel (P/N 2000-076 or 2600-077)

Batteries; two (2) 18 Amp Hour (P/N 1801-004) or two (2) 35 Amp Hour (P/N 1801-005)

What is Not Covered:

The cost of the gate itself, or work required to place the physical gate into proper working order (leveling, replacing hinges, etc.).

Qualifications:

- The installation of a DoorKing Solar Powered Gate System
- Effective for tax years beginning after December 31, 2008
- Homeowners will need to use The Federal Tax Credit form 5695, Residential Energy Efficient Property Credit
- Homeowners will need to provide a copy of the "[Manufacturer's Certification for Credit](#)"
- The dwelling must be located in the United States and used as a residence by the taxpayer
- This offer is only available in the United States

UL 325 – August 2018 Update

Requirements mandated by the safety standard (UL 325) that DKS gate operators are listed to require that photo-beams and contact edges used for entrapment protection must be monitored. Entrapment protection must be provided for the gate system where the risk of entrapment exist. The gate operator will not run without one or more external entrapment protection devices installed in each direction of travel. Check the gate operator installation manual for a list of external entrapment protection devices that can be used with DKS gate operator products.

The August 2018 update to the safety standard requires that a minimum of two (2) independent means of entrapment protection must be provided in each direction of travel where the risk of entrapment exists. The inherent system in DKS gate operators is active in both directions of travel, so this qualifies as one means of entrapment protection in each direction. The second means will be an external device, such as a non-contact (Type B1) or a contact (Type B2) sensor as required in each direction. The actual number of external devices required is dependent on the gate system layout and the number of entrapment areas that will need to be protected. Installers will have to identify all potential areas where the risk of entrapment exist and how best to protect those areas. For example, some gates may require two (or more) external devices in each direction of travel to protect all potential areas of entrapment. The standard also mandates that all components used for monitoring purposes for external devices must be factory installed internally within the device.

There is an exception for swing gates and vertical lift gates regarding the minimum of two entrapment protection devices in each direction of travel. For example, if on a swing gate system there is no potential for entrapment in the opening direction, then only the close direction will require a minimum of two means of entrapment protection. Installers will have to determine if any entrapment hazards exist in the opening direction, and if so, then those areas will have to be protected with external devices.

Vertical lift gates require two means of entrapment protection in the down cycle, but will only require one means of entrapment protection in the up cycle. The model 1175 is considered to be a vertical lift gate operator for entrapment protection means requirements.

Barrier gate operators that are installed in such a way that the barrier arm does not come closer than 16 inches to a rigid object are not required to protect against entrapment.

The table below shows the minimum entrapment protection requirements for each type of gate operator in the scope of the UL 325 Standard for Safety.

	Opening	Closing
Horizontal Slide Gate	2	2
Horizontal Swing Gate	2*	2*
Vertical Pivot Gate	2	2
Vertical Lift Gate	1	2
* For a horizontal swing gate operator, at least two independent entrapment protection means are required in each direction of travel. Except, if there is no entrapment zone in one direction of travel, only one means of entrapment protection is required in that direction of travel; however, the other direction must have two independent entrapment protection means.		

Blank Page

Table of Contents

Overhead / Barrier Gate Operators / Traffic Spike Systems

Model 1175	6
Model 1601	8
Model 1602	10
Model 1603	12
Model 1610 Traffic Control Spikes	14
Warning Signs / Traffic Signals	16
Overhead / Barrier Gate Operator Parts	17

Swing Gate Operators

Model 6006, 6004, 6400	18
Model 6050 / 6100	20
Model 6300	22
Model 6500 / 6550	24
Model 6524	26
Swing Gate Accessories	28
Swing Gate Operator Parts	29

Slide Gate Operators

Model 9000	30
Model 9024	32
Model 9050 / 9100	34
Model 9150	36
Slide Gate Accessories	38
Slide Gate Operator Parts	40

Entrapment Protection and Vehicle Detection

Entrapment Protection Devices Non-Contact Type B1	42
Entrapment Protection Devices Contact Type B2	43
Loop Detectors and Loops	44

Accessories

Control Stations	45
------------------------	----

Back-up Power Inverters

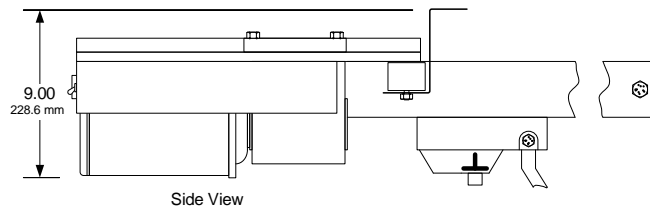
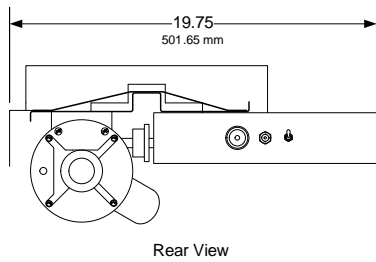
Model 1000	46
------------------	----

1175 Overhead Operator

Indoor Use Only

1175

- Adjustable Limits
- Plug-in Loop Detector Ports
- Built-in power and reset switches
- Gate Tracker Data Output
- Steel Frame
- #40 Roller Chain
- Heavy-duty 3-in (76.2 mm) Rails
- Up to 14 Ft (4.27 m) high gate



Model	Maximum Gate Height	Overall Length	Mount Options ¹	Class of Operation ²	Voltage	HP	Power Outlets	Maximum Cycles / Day	Loop Ports ³	Adjustable Clutch ⁴
1175	8 Ft 2.43 m	12.25 Ft 3.73 m	Ceiling	II, III, IV	115 VAC	1/2	N/A	Continuous	2	No
	10 Ft 3.05 m	14.25 Ft 4.34 m								
	12 Ft 3.66 m	16.25 Ft 4.95 m								
	14 Ft 4.27 m	18.25 Ft 5.56 m								

1. If the operator is mounted less than 8 feet above the ground, the optional powerhead cover (1175-020) is required.
2. II = Commercial; III = Limited Access; IV = Restricted Access.
3. Plug-in loop detector ports; open and reverse. DoorKing plug-in loop detectors only.
4. Operator is equipped with a Type A inherent detection system.

1175 Overhead Operator

Indoor Use Only

Powerhead Assembly

1175-380..... 2332.00

Optional Powerhead Cover

1175-020..... 354.00

Required if powerhead assembly is mounted less than 8 feet (2.43m) above the ground.

Rail Assembly

1150-225 (8 ft. high gate) 984.00

1150-226 (10 ft. high gate)..... 1072.00

1150-227 (12 ft. high gate)..... 1376.00

1150-228 (14 ft. high gate)..... 1456.00

Entrapment Protection (required)

Use Type B1 (non-contact) and/or Type B2 (contact) entrapment protection devices to protect all areas where the risk of entrapment exist - see pages 42-43.

Operator will not run without entrapment protection device(s) connected to the controller board. See installation manual for more information.

Loops and Loop Detectors

See page 44 for a complete list of all loop detectors, prefabricated loops and loop accessories available.

Surge Suppression

1879-080 High Voltage (120 VAC)..... 174.00

Backup Power Inverters

1000-083 1000 Watt, Pure Sine Wave 2456.00

1000-045 Inverter Post Mount Kit..... 302.00

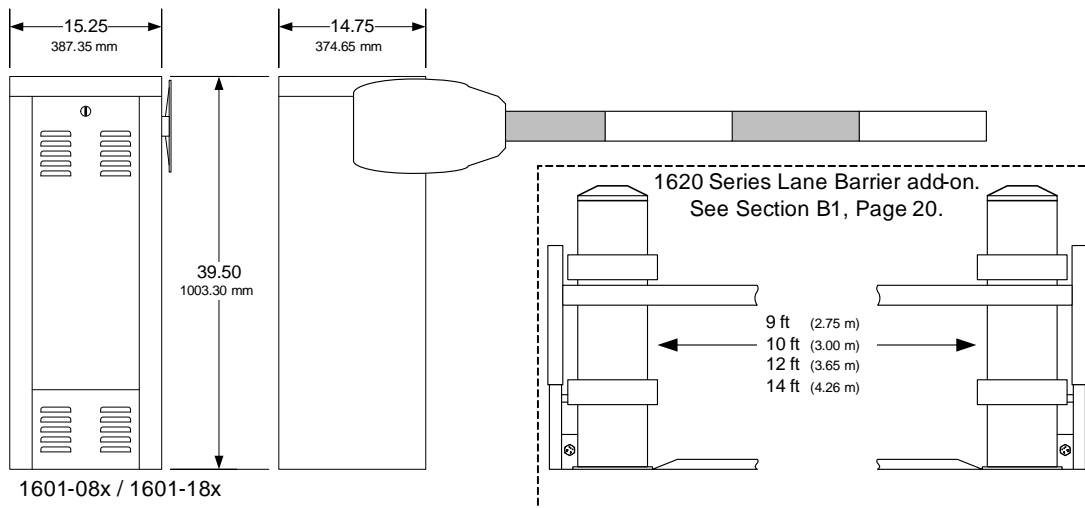
Includes two (2) 35 AH SLA batteries and can power up to two ½ HP operators or one (1) 1 HP operator. This version is suitable to be used with all brands of gate operators. See page 46 for more information.

1601 Barrier Gate Operator

Magnetic Limits

1601

- Magnetic Limits
- Plug-in Loop Detector Ports
- Gate Tracker Data Output
- Up input memory buffer
- Down memory buffer
- Built-in power and operate switches
- Two convenience outlets
- Left or right hand mount
- Galvanized steel housing
- 90° in approximately 1.5 sec.



Model ¹	Mount Options	Class of Operation ²	Voltage ³	HP	Power Outlets	Cycles / Day	Loop Ports ⁴	Arm Type	Maximum Length	Fold Option ⁵	Breakaway Option ⁶	Lighted ⁷
1601	Left or Right	II, III, IV	115 208 230 460 575 VAC	1/2	2	Continuous	2	Aluminum Octagonal	14 Ft. 4.27 m	No	Yes	Optional
								Aluminum Round	14 Ft. 4.27 m	Yes	Yes	No
								Wood	14 Ft. 4.27 m	Yes	No	No
								Plastic ⁸	12 Ft. 3.66 m	Yes	No	No

1. 1601 is available with white housing (1601-08x) or gray housing (1601-18x). Gray housing includes stainless steel door.
2. II = Commercial; III = Limited Access; IV = Restricted Access.
3. High voltage kit (P/N 2600-266) required for 208 Volt and higher.
4. Plug-in loop detector ports; up loop and down loop. DoorKing plug-in loop detectors only.
5. Maximum arm length using the fold option is 12 Ft. (3.66 m).
6. Breakaway option is not available with 1601-091 and 1601-181 operators.
7. Octagonal aluminum arm uses Red/Green LED lighting with built-in reverse edge. Lighted Octagonal arm MUST be used with the 1620 Lane Barrier Add-on (see Section B1, page 20).
8. Plastic arms are temporarily unavailable.

1601 Barrier Gate Operator

Magnetic Limits

Choose an Operator

1601-080 1/2 HP White Housing.....	3698.00
1601-081 1/2 HP w/COO ¹ White Housing	4800.00
1601-180 1/2 HP Gray Housing.....	4106.00
1601-181 1/2 HP w/COO ¹ Gray Housing.....	5044.00

1. Convenience Open Option provides a method to raise the arm when AC power has failed. Breakaway arms not available with these operators.

High Voltage

2600-266 High Voltage Kit	712.00
---------------------------------	--------

Allows the operator to be powered from 208, 230, 460 or 575 VAC source voltage.

Pedestrian Protection (required)

8080-057 Photo-Reflective Beam	180.00
9411-010 Loop Detector	278.00

See pages 42-43 for all protection devices available. See page 44 for a complete list of all loop detectors and accessories available.

Surge Suppression

1879-080 High Voltage (120 VAC).....	174.00
--------------------------------------	--------

Backup Power Inverters

1000-083 1000 Watt, Pure Sine Wave	2392.00
1000-045 Inverter Post Mount Kit	302.00

Includes two (2) 35 AH SLA batteries and can power up to two ½ HP operators or one (1) 1 HP operator. This version is suitable to be used with all brands of gate operators. See page 46 for more information.

Accessories

8060-082 RF Kit (Receiver + MicroPlus TX (1)	204.00
1601-281 Arm Hub Cover White ¹	106.00
1601-283 Arm Hub Cover Gray ¹	106.00
1603-221 Traffic Signal 12 VDC.....	932.00
1603-222 Traffic Signal 12 VDC w/35" Post	1096.00
1601-092 Heater Kit ²	302.00
1601-093 Fan Kit ³	302.00
1601-270 Manual Crank Kit.....	310.00

1. Arm hub cover is included with the 1601 operator. Shown here for replacement purposes only.

2. Heater turns on when temperature falls below 40°F (4.4°C).

3. Use in hot, humid environments.

Step 1: Octagonal Aluminum Arms (Choose one)

1601-555 Arm 14 Ft (4.27 m)	360.00
1601-567 Arm 14 Ft (4.27 m), 2-Piece ¹	416.00

Step 2: Octagonal Hardware Kits (Choose one)

1601-242 Arm Hardware Kit ³	190.00
1601-235 Arm Hardware Kit ⁴	446.00
1601-295 Breakaway Arm Hardware Kit ⁵	990.00

Step 3: Octagonal Arm Edges (Choose one)

8080-080 Reverse Edge ²	400.00
8080-096 Reverse Edge + Red/Green LED ²	584.00
8080-089 Bumper 13 Ft (not a reverse edge).....	130.00

1. Ships in 8-ft (2.4m) long box to reduce shipping cost.
2. Reverse edges are 12-ft (3.6 m) in length.
3. Use this kit for arm only – no reverse edge.
4. Use this kit for arms with reverse edge (includes wiring harness).
5. Use this kit for breakaway arms (includes wiring harness).

Round Aluminum Arms (Choose one)

1601-516 Arm 14 Ft (4.27 m)	360.00
1601-524 Arm 14 Ft (4.27 m), 2-Piece ¹	436.00
1601-610 Arm 12 Ft (3.66 m) Folding.....	592.00
1601-522 Arm 14 Ft (4.27 m) Breakaway.....	364.00
1601-528 Arm 14 Ft (4.27 m), 2-Piece Breakaway ¹	480.00

1. Ships in 8-ft (2.4m) long box to reduce shipping cost.

Round Aluminum Arm Hardware

1601-242 Arm Hardware Kit.....	190.00
1601-285 Breakaway Arm Hardware Kit ¹	1038.00

1. Required for breakaway arms. Includes wire harness.

Wood Arms

1601-348 Arm 14 Ft (4.27 m)	284.00
1601-384 Arm 12 Ft (3.66 m) Folding.....	492.00
1601-240 Arm Hardware Kit (Required)	162.00

Plastic Arms (Temporarily Unavailable)

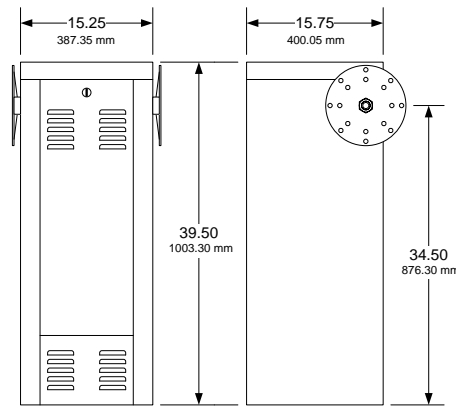
1601-571 Arm 12 Ft (3.66 m)	168.00
1601-383 Arm 12 Ft (3.66 m) Folding.....	492.00
1601-241 Arm Hardware Kit (Required)	162.00

1602 Barrier Gate Operator

Magnetic Limits

1602

- Magnetic Limits
- Plug-in Loop Detector Ports
- Gate Tracker Data Output
- Up input memory buffer
- Down memory buffer
- Built-in power and operate switches
- Two convenience outlets
- Left or right hand mount
- Galvanized steel housing
- 90° in approximately 5.5 sec.



Model	Mount Options	Class of Operation ¹	Voltage ²	HP	Power Outlets	Cycles / Day	Loop Ports ³	Arm Type	Maximum Length	Fold Option	Breakaway Option	Lighted Option
1602	Left or Right	II, III, IV	115 208 230 460 575 VAC	1	2	Continuous	2	Aluminum	20 Ft. 6.09 m	No	No	No
									24 Ft. 7.31 m	No	No	No
									27 Ft. 8.23 m	No	No	No
								Wood	20 Ft. 6.09 m	No	No	No

1. II = Commercial; III = Limited Access; IV = Restricted Access.
2. High voltage kit (P/N 2600-266) required for 208 Volt and higher.
3. Plug-in loop detector ports; up loop and down loop. DoorKing plug-in loop detectors only.

1602 Barrier Gate Operator

Magnetic Limits

Choose an Operator¹

1602-090 1 HP.....	5888.00
1602-091 1 HP w/COO ²	6970.00

1. Operators include built-in manual crank release system.
2. Convenience Open Option provides a method to raise the arm when AC power has failed.

High Voltage

2600-266 High Voltage Kit	712.00
---------------------------------	--------

Allows the operator to be powered from 208, 230, 460 or 575 VAC source voltage.

Pedestrian Protection (required)

8080-057 Photo-Reflective Beam	180.00
9411-010 Loop Detector	278.00

See pages 42-43 for all protection devices available. See page 44 for a complete list of all loop detectors and accessories available.

Surge Suppression

1879-080 High Voltage (120 VAC).....	174.00
--------------------------------------	--------

Backup Power Inverters

1000-083 1000 Watt, Pure Sine Wave	2456.00
1000-045 Inverter Post Mount Kit	302.00

Includes two (2) 35 AH SLA batteries and can power up to two ½ HP operators or one (1) 1 HP operator. This version is suitable to be used with all brands of gate operators. See page 46 for more information.

Accessories

8060-082 RF Kit (Receiver + MicroPlus TX (1)	204.00
1603-221 Traffic Signal 12 VDC.....	932.00
1603-222 Traffic Signal 12 VDC w/35" Post	1096.00
1601-092 Heater Kit ¹	302.00
1601-093 Fan Kit ²	302.00

1. Heater turns on when temperature falls below 40°F (4.4°C).
2. Use in hot, humid environments.

Aluminum Arms Round

1602-162 3-Piece, 20 Ft (6.09 m)	4012.00
1602-164 3-Piece, 24 Ft (7.31 m)	4194.00
1602-166 3-Piece, 27 Ft (8.23 m)	4314.00

Wood Arm

1602-340 3-Piece, 20 Ft (6.09 m)	616.00
1602-041 Hardware Kit - Required.....	1126.00

1603 Barrier Gate / Auto-Spikes

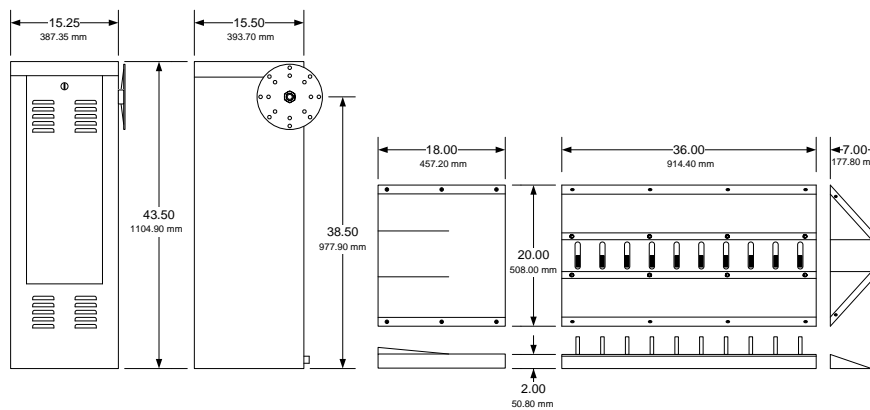
Magnetic Limits

1603

- Magnetic Limits
- Plug-in Loop Detector Ports
- Gate Tracker Data Output
- Up input memory buffer
- Down memory buffer
- Built-in power switches
- Two convenience outlets
- Left or right hand mount
- Galvanized steel housing
- 90° in approximately 1.5 sec.

Spikes⁵

- ¼ Multi-Grip steel
- 20,000 per axle weight limit
- 14 Ft. maximum width
- **1615-081 Warning Sign required**
- **Not recommended for use in areas subject to freezing weather**



Model	Mount Options	Class of Operation ¹	Voltage ²	HP	Power Outlets	Cycles / Day	Loop Ports ³	Arm Type	Maximum Length	Fold Option ⁴	Breakaway Option	Lighted Option
1603	Left or Right	II, III, IV	115 208	1/2	2	Continuous	2	Aluminum Octagonal	14 Ft. 4.27 m	No	No	Yes
			230 460					Aluminum Round	14 Ft. 4.27 m	Yes	No	No
			575 VAC									

1. II = Commercial; III = Limited Access; IV = Restricted Access.
2. High voltage kit (P/N 2600-266) required for 208 Volt and higher.
3. Plug-in loop detector ports; up loop and down loop. DoorKing plug-in loop detectors only.
4. Maximum arm length using the fold option is 12 Ft. (3.66 m).
5. Installation and use of spike components in areas that are subject to freezing weather with potential of snow and ice accumulation is not recommended.

1603 Barrier Gate / Auto-Spikes

Magnetic Limits

Choose an Operator¹

1603-180 1/2 HP	5294.00
1603-181 1/2 HP w/COO ²	6392.00

1. Operators include built-in manual crank release system.
2. Convenience Open Option provides a method to raise the arm when AC power has failed.

High Voltage

2600-266 High Voltage Kit	712.00
---------------------------------	--------

Allows the operator to be powered from 208, 230, 460 or 575 VAC source voltage.

Pedestrian Protection (required)

8080-057 Photo-Reflective Beam	180.00
9411-010 Loop Detector	278.00

See pages 42-43 for all protection devices available. See page 44 for a complete list of all loop detectors and accessories available.

Warning Sign - Required

1615-081 Auto-Spike Warning Sign.....	1298.00
---------------------------------------	---------

Illuminated warning sign MUST be used with the auto-spike system. Warning sign mounts on a 3.5 in (89 mm) post.

Traffic Signal - Recommended

1603-222 12 VDC w/35" (.89m) Post	1096.00
1603-223 12 VDC w/95" (2.4m) Post	2214.00

Surge Suppression

1879-080 High Voltage (120 VAC).....	174.00
--------------------------------------	--------

Backup Power Inverters

1000-083 1000 Watt, Pure Sine Wave	2456.00
1000-045 Inverter Post Mount Kit	302.00

Includes two (2) 35 AH SLA batteries and can power up to two ½ HP operators or one (1) 1 HP operator. This version is suitable to be used with all brands of gate operators. See page 46 for more information.

Step 1: Octagonal Aluminum Arms (Choose one)

1601-555 Arm 14 Ft (4.27 m)	360.00
1601-567 Arm 14 Ft (4.27 m), 2-Piece ¹	416.00

Step 2: Octagonal Hardware Kits (Choose one)

1601-242 Arm Hardware Kit ³	190.00
1601-235 Arm Hardware Kit ⁴	446.00
1601-295 Breakaway Arm Hardware Kit ⁵	990.00

Step 3: Octagonal Arm Edges (Choose one)

8080-080 Reverse Edge ²	400.00
8080-096 Reverse Edge + Red/Green LED ²	584.00
8080-089 Bumper 13 Ft (not a reverse edge).....	130.00

1. Ships in 8-ft (2.4m) long box to reduce shipping cost.
2. Reverse edges are 12-ft (3.6 m) in length.
3. Use this kit for arm only – no reverse edge.
4. Use this kit for arms with reverse edge (includes wiring harness).
5. Use this kit for breakaway arms (includes wiring harness).

Aluminum Arm Round

1601-516 Arm 14 Ft (4.27 m)	360.00
1601-524 Arm 14 Ft (4.27 m), 2-Piece ¹	436.00
1601-610 Arm 12 Ft (3.66 m) Folding.....	592.00
1601-242 Arm Hardware Kit (Required)	190.00

1. Ships in 8-ft (2.4m) long box to reduce shipping cost.

Spike Components

1603-168 Drive Ext 18 in (457 mm) - Required	1262.00
--	---------

Choose spike components from below

1603-165 Spike Section 3 Ft (0.91 m).....	2252.00
1603-170 Tunnel Extension 18 in (457 mm).....	1262.00
1610-240 End Cap	496.00

Accessories

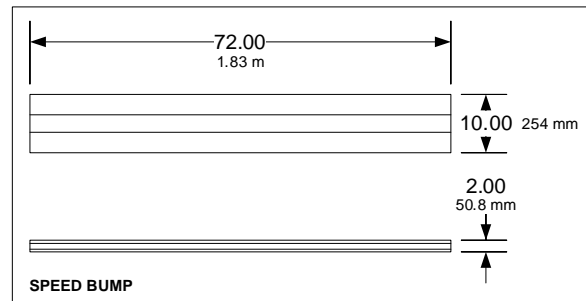
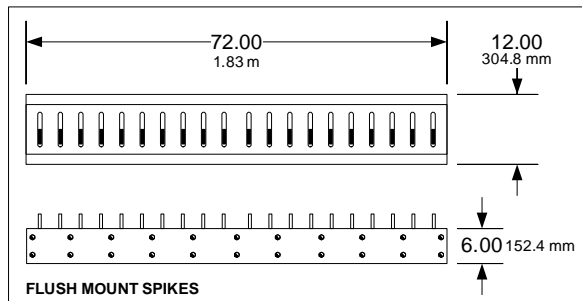
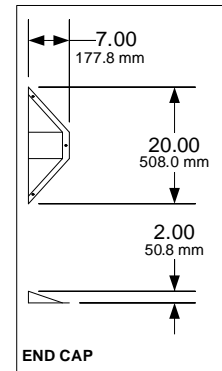
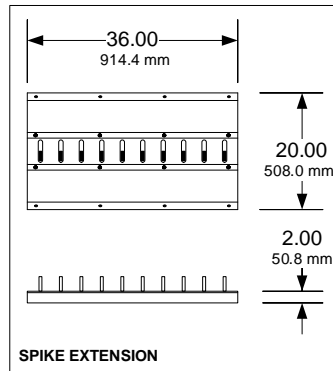
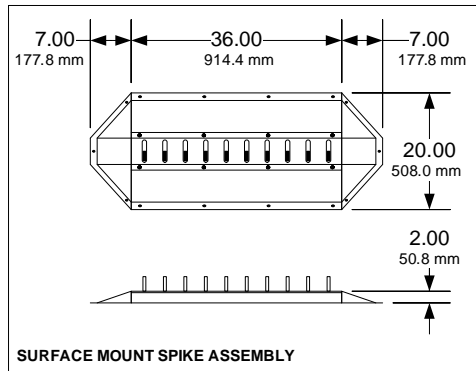
8060-082 RF Kit (Receiver + MicroPlus TX (1)).....	204.00
1601-281 Arm Hub Cover ¹	106.00
1601-092 Heater Kit ²	302.00
1601-093 Fan Kit ³	302.00
1603-001 Replacement Manual Crank Handle.....	142.00

1. Arm hub cover is included with the 1603 operator. Shown here for replacement purposes only.
2. Heater turns on when temperature falls below 40°F (4.4°C).
3. Use in hot, humid environments.

Model 1610

Stand-Alone Traffic Control Spikes

Installation and use of spike components in areas that are subject to freezing weather with potential for snow and ice accumulation is not recommended.



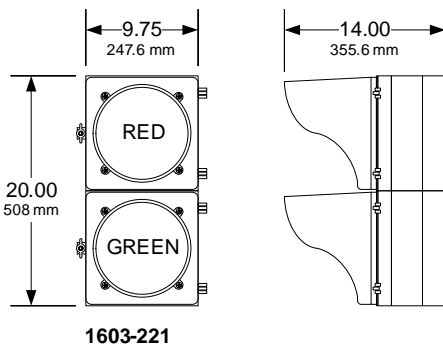
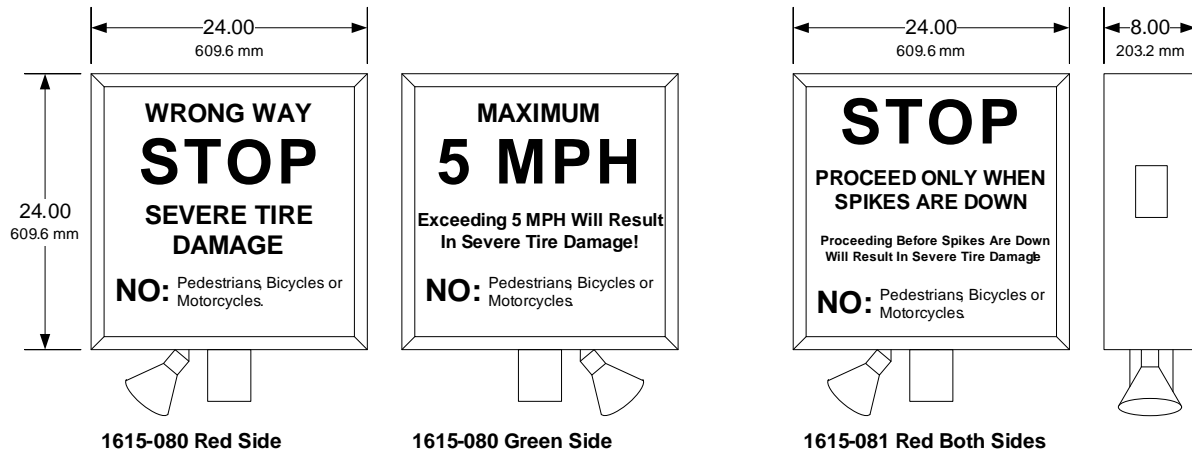
20,000 Lb. per axle Weight Limit (5 MPH Maximum Speed)	
Surface Mount¹	
1610-088 Assembly Spring Retraction ²	3618.00
1610-087 Extension	2548.00
1610-240 End Cap.....	496.00
1610-010 Lock Down Tool	188.00
1. Surface mount spikes have a lock down feature (requires 1610-010).	
2. 1610-088 assembly includes one (1) 1610-087 and two (2) 1610-240.	
Flush Mount Heavy-Duty	
1610-090 Spring Retraction HD	2144.00
1610-091 Weighted Retraction HD.....	2144.00
Flush Mount Heavy-Duty w/Lockdown Feature	
1610-092 Spring Retraction w/Lockdown HD ¹	2444.00
1610-093 Weighted Retraction w/Lockdown HD ²	2444.00
1. Includes 1610-012 lock-down tool.	
2. Includes 1610-013 lock-down tool	

8,000 Lb. per axle Weight Limit (5 MPH Maximum Speed)	
Flush Mount	
1610-080 Spring Retraction	1810.00
1610-081 Weighted Retraction.....	1810.00
Flush Mount w/Lock-Down Feature	
1610-082 Spring Retraction ¹	2110.00
1610-083 Weighted Retraction ²	2110.00
1. Includes 1610-012 lock-down tool.	
2. Includes 1610-013 lock-down tool	
Replacement Lock-Down Tools	
1610-012 Use with Spring Retraction spikes	93.82
1610-013 Use with Weighted Retraction spikes	152.00
Speed Bump	
1610-150 Speed Bump.....	434.00
Warning Sign – Required¹	
1615-080 Warning Sign.....	1298.00
1. Mandatory when spike systems are installed.	

Blank Page

Traffic Control

Warning Sign, Traffic Signal



Illuminated Warning Signs	
1615-080	1298.00
1615-082 (Spanish).....	1298.00
<ul style="list-style-type: none"> Use these signs with surface and flush mount spike systems. Signs mount on a 3.5 in (89 mm) post. 	
Illuminated Auto-Spike Warning Sign	
1615-081	1298.00
<ul style="list-style-type: none"> Use this sign with the 1603 auto-spoke system. Sign mounts on a 3.5 in (89 mm) post. 	
Replacement Components	
1615-022 LED T8 Tube, 12W, 700 Lumens	81.34
1615-023 LED Flood Lamp, 9W, 655 Lumens.....	142.00
1615-032 RED panel	162.00
1615-034 GREEN panel.....	162.00
1615-035 RED Auto-spoke panel	162.00

Traffic Signal 12 VDC	
1603-221.....	932.00
1603-222 includes 35" (.89m) Mount Post.....	1096.00
1603-223 includes 95" (2.4m) Mount Post	2214.00
Replacement Components	
1603-551 LED Bulb 12VDC, 7W.....	44.52

Overhead / Barrier Operator Parts & Replacement Items

Miscellaneous Parts & Accessories

Circuit Boards	
1601-010.....	710.00
Used in models 1601, 1602 and 1603	
4405-018.....	710.00
Used in model 1175	
1473-121 Convenience Open kit.....	388.00
Used in pre-2016 models 1150, 1601, 1602 and 1603	

Spike System Replacement Components	
1610-031	13.40
Replacement spring for 1610-080 spike set	
1610-030	34.84
Replacement spike for 1610-080 spike set	
1610-035	34.84
Replacement spike for 1610-083 spike set	
1610-037	34.84
Spike spring lockdown assembly	
1610-045	33.78
Spike, weighted assembly	

Barrier Operator Replacement Parts	
1601-281	106.00
Barrier arm hub cover - white	
1601-283	106.00
Barrier arm hub cover - gray	
2599-101	23.74
Replacement Warning Sign	
1601-069	46.90
Wood arm mounting bracket	
1601-068	71.04
Plastic arm mounting bracket	
1601-079	162.00
Arm mounting hub	
1801-009	101.86
12 Volt, 3 AH replacement battery	

Warning Sign Replacement Components	
1615-032	162.00
Warning sign replacement panel – RED (use with 1610-080 warning sign)	
1615-034	162.00
Warning sign replacement panel – GREEN (use with 1610-080 warning sign)	
1615-035	162.00
Auto-spike warning sign replacement panel (use with 1610-081 warning sign)	
1615-038	162.00
Warning Sign panel – Entrapment Alert	
1615-022	81.34
T8 LED Tube Lamp, 12 Watt, 700 Lumens (warning sign replacement bulbs)	
1615-023	142.00
LED Flood Lamp, 9 Watt, 655 Lumens	
1603-550	30.64
LED Bulb 10W, 1300 Lumens (traffic signal replacement bulb)	

6004, 6006, 6400 Operators

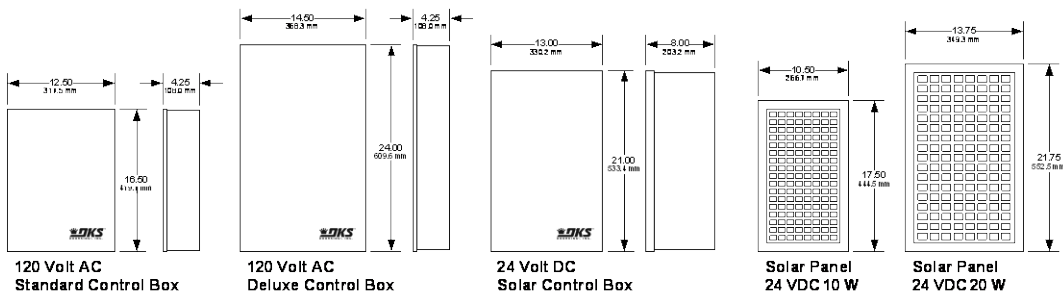
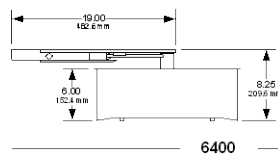
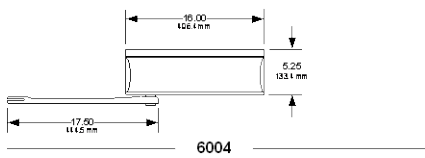
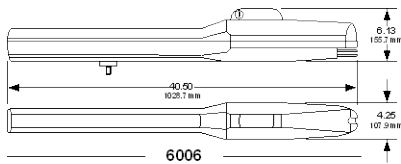
Residential/Light Commercial

Operators

- 24 VDC continuous duty motor
- Built-in magnetic limit switches
- Slow-Start / Slow-Stop
- Small, compact designs

Control Box

- 115 VAC or 24 VDC / Solar input power
- Includes photocell
- Single and Dual (bi-parting) gate operation
- 18 Ah or 35 Ah battery options



Model	Max Gate Weight ¹	Max Gate Length ¹	Max Cycles per Day ²	Maximum Cycles on Backup Power ²		
				3.5 Ah	18 Ah	35 Ah
6006	600 lbs. (272 kg)	18 ft. (5.48 m)	300	100	600	1200
	800 lbs. (362 kg)	16 ft. (4.87 m)				
	1600 lbs. (725 kg)	8 ft. (2.43 m)				
6004	500 lbs. (227 kg)	8 ft. (2.44 m)	100	100	600	1200
6400	300 lbs. (136 kg)	8 ft. (2.44 m)	100	100	600	1200

1. Assumes gate to be in good condition and swinging in a level plane.
2. Cycles shown are estimates only for single operators when solar panel(s) are not providing a charge to the batteries. Actual number of cycles will vary depending on usage, accessories connected, gate weight, operating condition of gate, temperature, geographic location, weather (cloud coverage) and charge state of the batteries.

6006, 6004, 6400 Operators

Residential / Light Commercial

Actuators

6006-380 Residential/Light Commercial 1590.00

Operators

6004-380 Column Mount Residential 1810.00

6400-380 In-Ground Residential 2010.00

Entrapment Protection (required)

Use Type B1 (non-contact) and/or Type B2 (contact) entrapment protection devices to protect all areas where the risk of entrapment exist - see pages 42-43.

Actuator/Operator will not run without entrapment protection device(s) connected to the controller board. See installation manual for more information.

4302 Control Boxes include the 8080-057 photocell.

Loops and Loop Detectors

See page 44 for a complete list of all loop detectors, prefabricated loops and loop accessories available.

Flange Bearing Hinge

1200-009 3000 Lb. (1360 kg) Weight Capacity 170.00

Includes mounting bracket and hardware, two required per gate (top, bottom), designed for use with 2" (50.8 mm) gate frame.

Sealed Bearing Hinge

1200-019 2000 Lb. (907 kg) Weight Capacity 170.00

1200-039 3000 Lb. (1360 kg) Weight Capacity 202.00

Includes mounting bracket and hardware, two required per gate (top, bottom), designed for use with round or square gate frames.

Torsion Rod Assembly

1203-084 388.00

2600-299 Additional Torsion Rods 136.00

Counter-balances uphill swing gates, includes top bracket, bottom bracket and one (1) torsion rod. Up to five (5) additional torsion rods can be added.

115 VAC Control Box

4302-311 Standard 1060.00

4302-312 Deluxe 1230.00

115 VAC control boxes include 8080-057 photocell and two (2) 3.5 Ah batteries.

8040-080 RF Receiver and two (2) 8069-080 MicroPlus SBT are included as a temporary introductory offer.

Deluxe control box includes three (3) 115 VAC convenient outlets.

Solar Control Box

4302-313 (No batteries) 1182.00

4302-314 (Two 18 Ah batteries) 1594.00

4302-315 (Two 35 Ah batteries) 1708.00

Solar control boxes include 8080-057 photocell.

8040-080 RF Receiver and two (2) 8069-080 MicroPlus SBT are included as a temporary introductory offer.

Solar Panels

2000-076 24-Volt, 20-Watt 804.00

Use with 35 Ah batteries

2000-077 24-Volt, 10-Watt 404.00

Use with 18 Ah batteries

2000-110 Solar Panel Mount Bracket 68.68

Batteries

1801-009 12-volt, 3.5 Ah 101.86

1801-004 12-volt, 18 Ah 242.00

1801-005 12-volt, 35 Ah 310.00

Surge Suppression

1879-080 High Voltage (120 VAC) 174.00

Bi-Parting (Dual) Gate Connection Cable

2600-755 30-Ft. (9.1 m) 242.00

2600-756 40-Ft. (12.2 m) 320.00

2600-757 50-Ft. (15.2 m) 404.00

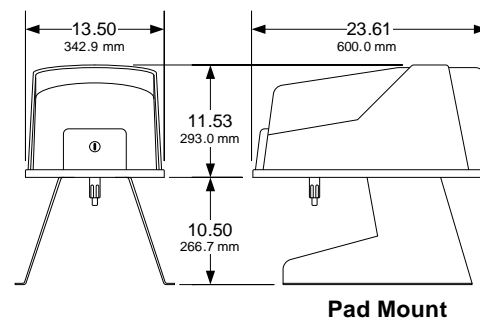
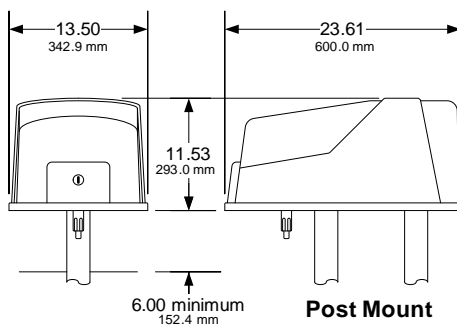
2600-754 500-Ft. (152.4 m) 3216.00

6050 / 6100 Swing Gate Operators

Automatic Magnetic Limits

6050 / 6100

- Self-Adjusting Magnetic Limits
- Type A inherent reverse system
- Plug-in Loop Detector Ports
- Gate Tracker Data Output
- Built-in power and reset switches
- Tamper protect feature
- Polypropylene cover
- Galvanized steel frame
- Pad or Post mounted
- Opens gate 90° in approximately 12 sec.
- Magnetic lock output
- Overlap feature for bi-parting gates



Model	Maximum Gate Weight	Maximum Gate Length	Mount Options ¹	Class of Operation ²	Voltage	HP	Power Outlets	Maximum Cycles / Day	Loop Ports ⁴	Adjustable Clutch ⁵
6050	400 Lbs 181 KG	10 Ft 3.05 m	Pad / Post	I	115 VAC	1/2 ³	N/A	100	2	Yes
6100	500 Lbs 226 KG	14 Ft 4.26 m	Pad / Post	I, II	115 VAC	1/2	N/A	Continuous	2	Yes

1. Select pad or post mount hardware kit when ordering.
2. I = Residential; II = Commercial.
3. This is an intermittent duty cycle motor.
4. Plug-in loop detector ports; open and reverse. DoorKing plug-in loop detectors only.
5. Clutch is not applicable as an entrapment protection device.

6050 / 6100 Swing Gate Operators

Automatic Magnetic Limits

Step 1: Choose an Operator or Operator Set

6050-380 Primary	2842.00
6050-381 Secondary	2104.00
<i>Secondary operator includes 30 feet (9.1 m) of interconnection cable.</i>	

6100-380 Primary	3120.00
6100-381 Secondary	2388.00
<i>Secondary operator includes 40 feet (12.2 m) of interconnection cable.</i>	

Step 2: Choose a Mounting Kit (Includes Arms)

2600-671 Pad Mount Kit	616.00
2600-674 Post Mount Kit	508.00

Step 3: Choose Entrapment Protection (required) Devices

Use Type B1 (non-contact) and/or Type B2 (contact) entrapment protection devices to protect all areas where the risk of entrapment exist - see pages 42-43.

Operator will not run without entrapment protection device(s) connected to the controller board. See installation manual for more information.

Loops and Loop Detectors

See page 44 for a complete list of all loop detectors, prefabricated loops and loop accessories available.

Surge Suppression

1879-080 High Voltage (120 VAC)	174.00
---------------------------------------	--------

Accessories

8060-082 RF Kit (Receiver + MicroPlus TX (1)	204.00
2600-664 Post Mount Base Plate ¹	202.00
1601-154 Heater Kit 120 VAC ²	538.00

1. Use to mount 6050 and 6100 operators onto an existing concrete pad.

2. Heater turns on when temperature falls below 40°F (4.4°C).

Backup Power Inverters

1000-083 1000 Watt, Pure Sine Wave	2456.00
1000-045 Inverter Post Mount Kit	302.00
<i>Includes two (2) 35 AH SLA batteries and can power up to two ½ HP operators or one (1) 1 HP operator. This version is suitable to be used with all brands of gate operators. See page 46 for more information.</i>	

Bi-Parting (Dual) Gate Interconnection Cable

2600-755 30-Ft. (9.1 m)	242.00
2600-756 40-Ft. (12.2 m)	320.00
2600-757 50-Ft. (15.2 m)	404.00
2600-754 500-Ft. (152.4 m)	3216.00

Flange Bearing Hinge

1200-009 3000 Lb. (1360 kg) Weight Capacity	170.00
<i>Includes mounting bracket and hardware, two required per gate (top, bottom), designed for use with 2" (50.8 mm) gate frame.</i>	

Sealed Bearing Hinge

1200-019 2000 Lb. (907 kg) Weight Capacity	170.00
1200-039 3000 Lb. (1360 kg) Weight Capacity	202.00
<i>Includes mounting bracket and hardware, two required per gate (top, bottom), designed for use with round or square gate frames.</i>	

Uphill Arm Pivot Assembly

6500-490	268.00
<i>Use with 1203-084 Torsion Rod Assembly.</i>	

Torsion Rod Assembly

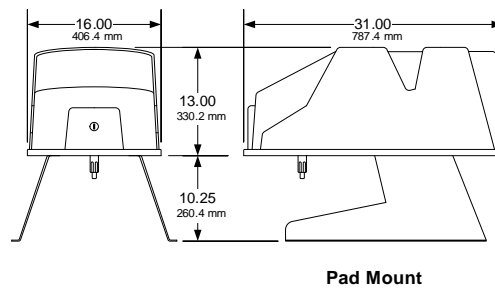
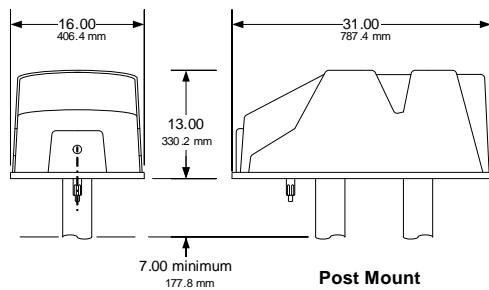
1203-084	388.00
2600-299 Additional Torsion Rods	136.00
<i>Counter-balances uphill swing gates, includes top bracket, bottom bracket and one (1) torsion rod. Up to five (5) additional torsion rods can be added.</i>	

6300 Swing Gate Operators

Automatic Magnetic Limits

6300

- Self-Adjusting Magnetic Limits
- Type A inherent reverse system
- Plug-in Loop Detector Ports
- Gate Tracker Data Output
- Built-in power and reset switches
- Tamper protect feature
- Polypropylene cover
- Galvanized steel frame
- Pad or Post mounted
- Opens gate 90° in approximately 16 sec.
- Magnetic lock output
- Overlap feature for bi-parting gates



Model	Maximum Gate Weight	Maximum Gate Length	Mount Options ¹	Class of Operation ²	Voltage ³	HP	Power Outlets	Maximum Cycles / Day	Loop Ports ³	Adjustable Clutch ⁴
6300	700 Lbs 317 KG	18 Ft 5.48 m	Pad / Post	I, II, III, IV	115 208 230 460 575 VAC	1/2	2	Continuous	2	Yes
6300	800 Lbs 362 KG	22 Ft 6.70 m	Pad / Post	I, II, III, IV	115 208 230 460 575 VAC	1	2	Continuous	2	Yes

1. Select pad or post mount hardware kit when ordering.
2. I = Residential; II = Commercial; III = Limited Access; IV = Restricted Access
3. High voltage kit (P/N 2600-266) required for 208 Volt and higher.
4. Plug-in loop detector ports; open and reverse. DoorKing plug-in loop detectors only.
5. Clutch is not applicable as an entrapment protection device.

6300 Swing Gate Operators

Automatic Magnetic Limits

Step 1: Choose an Operator or Operator Set

6300-380 Primary ½ HP	3484.00
6300-381 Secondary ½ HP	2814.00
6300-384 Primary 1 HP	4194.00
6300-385 Secondary 1 HP	3460.00

Secondary operators includes 50 feet (15.2 m) of interconnection cable.

High Voltage Kit

2600-266	712.00
----------------	--------

Allows the operator to be powered from 208, 230, 460 or 575 VAC source voltage. In dual gate applications, only one (1) kit is required.

Step 2: Choose a Mounting Kit (Includes Arms)

2600-264 Pad Mount Kit	792.00
2600-263 Post Mount Kit	792.00

Step 3: Choose Entrapment Protection (required) Devices

Use Type B1 (non-contact) and/or Type B2 (contact) entrapment protection devices to protect all areas where the risk of entrapment exist - see pages 42-43.

Operator will not run without entrapment protection device(s) connected to the controller board. See installation manual for more information.

Loops and Loop Detectors

See page 44 for a complete list of all loop detectors, prefabricated loops and loop accessories available.

Surge Suppression

1879-080 High Voltage (120 VAC)	174.00
---------------------------------------	--------

Accessories

8060-082 RF Kit (Receiver + MicroPlus TX (1)	204.00
1601-154 Heater Kit 120 VAC ¹	538.00
1601-197 Heater Kit 208 / 230 VAC ¹	1126.00
1601-198 Heater Kit 460 VAC ¹	1126.00

1. Heater turns on when temperature falls below 40°F (4.4°C).

Backup Power Inverters

1000-083 1000 Watt, Pure Sine Wave	2456.00
1000-045 Inverter Post Mount Kit	302.00

Includes two (2) 35 AH SLA batteries and can power up to two ½ HP operators or one (1) 1 HP operator. This version is suitable to be used with all brands of gate operators. See page 46 for more information.

Bi-Parting (Dual) Gate Interconnection Cable

2600-755 30-Ft. (9.1 m)	242.00
2600-756 40-Ft. (12.2 m)	320.00
2600-757 50-Ft. (15.2 m)	404.00
2600-754 500-Ft. (152.4 m)	3216.00

Flange Bearing Hinge

1200-009 3000 Lb. (1360 kg) Weight Capacity	170.00
---	--------

Includes mounting bracket and hardware, two required per gate (top, bottom), designed for use with 2" (50.8 mm) gate frame.

Sealed Bearing Hinge

1200-019 2000 Lb. (907 kg) Weight Capacity	170.00
1200-039 3000 Lb. (1360 kg) Weight Capacity	202.00

Includes mounting bracket and hardware, two required per gate (top, bottom), designed for use with round or square gate frames.

Uphill Arm Pivot Assembly

6500-490	268.00
----------------	--------

Use with 1203-084 Torsion Rod Assembly.

Torsion Rod Assembly

1203-084	388.00
2600-299 Additional Torsion Rods	136.00

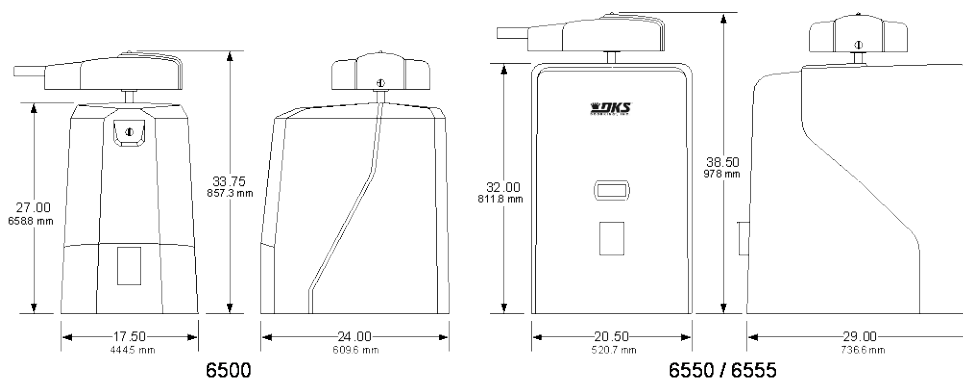
Counter-balances uphill swing gates, includes top bracket, bottom bracket and one (1) torsion rod. Up to five (5) additional torsion rods can be added.

6500 / 6550⁵ / 6555⁵ Swing Gate Operators

Adjustable Limit Swing Gate Operators

6500 / 6550⁵ / 6555⁵

- Adjustable Magnetic Limits
- Type A inherent reverse system
- Plug-in Loop Detector Ports
- Gate Tracker Data Output
- Built-in power and reset switches
- Polypropylene (6500) / Polyurethane (6550) cover
- Galvanized steel frame
- Opens gate 90° in approximately 16 sec.
- Magnetic lock output
- Overlap feature for bi-parting gates



Model	Maximum Gate Weight	Maximum Gate Length	Mount	Class of Operation ¹	Voltage ²	HP	Power Outlets	Maximum Cycles / Day	Loop Ports ²	Adjustable Clutch
6500	700 Lbs 317 KG	18 Ft 5.48 m	Pad	I, II, III, IV	115 208 230 460 575 VAC	1/2	2	Continuous	2	No
6500	800 Lbs 362 KG	22 Ft 6.70 m	Pad	I, II, III, IV	115 208 230 460 575 VAC	1	2	Continuous	2	No
6550 ⁵	2000 Lbs 907 KG	25 Ft 7.62 m	Pad	II, III, IV	115 208 230 460 575 VAC	1	2	Continuous	2	No
6555 ^{4,5}	2000 Lbs 907 KG	25 Ft 7.62 m	Pad	II, III, IV	230 VAC	1	2	Continuous	2	No

1. I = Residential; II = Commercial; III = Limited Access; IV = Restricted Access
2. High voltage kit (P/N 2600-266) required for 208 Volt and higher.
3. Plug-in loop detector ports; open and reverse. DoorKing plug-in loop detectors only.
4. This operator has a variable speed drive.
5. Models 6550 and 6555 are not listed to the UL 325 standard at this time.

6500 / 6550 / 6555 Swing Gate Operators

Adjustable Limit Swing Gate Operators

Step 1: Choose an Operator or Operator Set

6500-380 Primary ½ HP.....	4372.00
6500-381 Secondary ½ HP	3618.00
<i>Secondary operator includes 50 feet (15.2 m) of interconnection cable.</i>	
6500-384 Primary 1 HP	4996.00
6500-385 Secondary 1 HP	4372.00
<i>Secondary operator includes 50 feet (15.2 m) of interconnection cable.</i>	
6550-380 Primary 1 HP	5762.00
6550-384 Secondary 1 HP	5050.00
<i>Secondary operator includes 50 feet (15.2 m) of interconnection cable. Model 6550 is not listed to UL 325 at this time.</i>	
6555-381 Primary 1 HP 230 VAC Variable Speed	9828.00
<i>Model 6555 is not listed to UL 325 at this time.</i>	

High Voltage Kit

2600-266.....	712.00
<i>Allows the operator to be powered from 208, 230, 460 or 575 VAC source voltage. In dual gate applications, only one (1) kit is required. Not available on 6555-081 operator.</i>	

Step 2: Choose Entrapment Protection (required) Devices

Use Type B1 (non-contact) and/or Type B2 (contact) entrapment protection devices to protect all areas where the risk of entrapment exist - see pages 42-43.

Operator will not run without entrapment protection device(s) connected to the controller board. See installation manual for more information.

Loops and Loop Detectors

See page 44 for a complete list of all loop detectors, prefabricated loops and loop accessories available.

Surge Suppression

1879-080 High Voltage (120 VAC).....	174.00
--------------------------------------	--------

Accessories

8060-082 RF Kit (Receiver + MicroPlus TX (1)	204.00
6500-480 Heater Kit 120 VAC ¹	616.00
<i>1. Heater turns on when temperature falls below 40°F (4.4°C). This heater kit cannot be used if the operator is powered from the 2600-266 high voltage kit.</i>	

Backup Power Inverters

1000-083 1000 Watt, Pure Sine Wave	2456.00
1000-045 Inverter Post Mount Kit.....	302.00
<i>Includes two (2) 35 AH SLA batteries and can power up to two ½ HP operators or one (1) 1 HP operator. This version is suitable to be used with all brands of gate operators. See page 46 for more information.</i>	

Bi-Parting (Dual) Gate Interconnection Cable

2600-755 30-Ft. (9.1 m).....	242.00
2600-756 40-Ft. (12.2 m).....	320.00
2600-757 50-Ft. (15.2 m).....	404.00
2600-754 500-Ft. (152.4 m).....	3216.00

Flange Bearing Hinge

1200-009 3000 Lb. (1360 kg) Weight Capacity	170.00
<i>Includes mounting bracket and hardware, two required per gate (top, bottom), designed for use with 2" (50.8 mm) gate frame.</i>	

Sealed Bearing Hinge

1200-019 2000 Lb. (907 kg) Weight Capacity	170.00
1200-039 3000 Lb. (1360 kg) Weight Capacity	202.00
<i>Includes mounting bracket and hardware, two required per gate (top, bottom), designed for use with round or square gate frames.</i>	

Uphill Arm Pivot Assembly

6500-490	268.00
<i>Use with 1203-084 Torsion Rod Assembly.</i>	

Torsion Rod Assembly

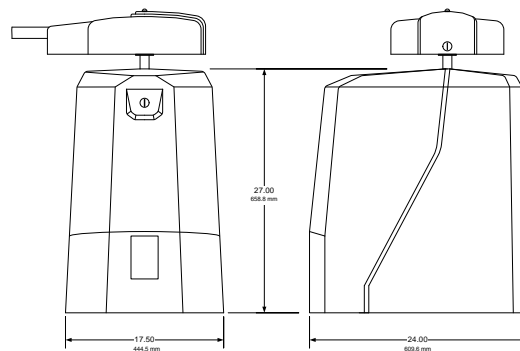
1203-084	388.00
2600-299 Additional Torsion Rods	136.00
<i>Counter-balances uphill swing gates, includes top bracket, bottom bracket and one (1) torsion rod. Up to five (5) additional torsion rods can be added.</i>	

6524 DC Swing Gate Operator

Adjustable Limit Swing Gate Operator

6524

- Input 115/230 VAC or 24 VDC (Solar)
- Adjustable Magnetic Limits
- Plug-in Loop Detector Ports
- Gate Tracker Data Output
- Built-in power and reset switches
- Polypropylene cover
- Built-in Battery Backup
- Galvanized steel frame
- Opens gate 90° in approximately 16 sec.
- Magnetic lock output
- Overlap feature for bi-parting gates



Model	Maximum Gate Weight	Maximum Gate Length	Mount	Class of Operation ¹	Voltage	HP	Power Outlets	Maximum Cycles / Day	Loop Ports ²	Adjustable Clutch
6524	800 Lbs 362 KG	16 Ft 4.88 m	Pad	I, II, III, IV	115/230 VAC	1/2	2	Continuous ^{3,4}	2	No
6524 ⁵	800 Lbs 362 KG	16 Ft 4.88 m	Pad	I, II, III, IV	24 VDC (Solar)	1/2	0	Up to 150 ⁴	2	No

1. I = Residential; II = Commercial; III = Limited Access; IV = Restricted Access
2. Plug-in loop detector ports; open and reverse. DoorKing plug-in loop detectors only.
3. Continuous operation is when AC power is present. Operation on battery backup (7.5 Ah batteries) is limited to approximately 40 cycles.
4. Up to 150 cycles with 18 Ah batteries. Actual number of cycles will vary depending on usage, accessories connected, gate weight, operating condition of gate, temperature and charge state of the batteries. Charge state of batteries is affected by geographical location of the product when using solar to recharge the batteries.
5. Solar powered operators will not support bi-parting (dual) gate operation.

6524 DC Swing Gate Operators

Adjustable Limit Swing Gate Operator

Step 1: Choose an Operator

6524-380 115/230 VAC 3684.00
Includes two 7.5 Ah batteries for limited backup operation. Order 18 Ah batteries to extend the backup operation cycles.
Includes 50 feet (15 m) of RS 485 interconnection cable for bi-parting (dual) gate operation.

6524-381 24 VDC (Solar) 3462.00
24 VDC solar input power only (supply your own batteries and solar charging system or use DKS solar kit).
Solar powered operators will not support bi-parting (dual) gate operation.

Step 2: Choose Entrapment Protection (required) Devices

Use Type B1 (non-contact) and/or Type B2 (contact) entrapment protection devices to protect all areas where the risk of entrapment exist - see pages 42-43.

Operator will not run without entrapment protection device(s) connected to the controller board. See installation manual for more information.

Battery / Solar Options

1801-004 12-Volt, 18 Ah Battery¹ 242.00
 2000-077 24-Volt, 10 Watt Solar Panel 404.00
 2000-070 Solar Kit² 946.00
 1. Two required for 24 Volt operation.
 2. Kit includes two (2) 18 Ah batteries, 10 Watt solar panel and bracket.

Loops and Loop Detectors

See page 44 for a complete list of all loop detectors, prefabricated loops and loop accessories available.

Surge Suppression

1879-080 High Voltage (120 VAC) 174.00

Accessories

8060-082 RF Kit (Receiver + MicroPlus TX (1) 204.00
 6500-480 Heater Kit 120 VAC¹ 616.00
 1. Heater turns on when temperature falls below 40°F (4.4°C). Cannot be used if operator is powered from 230 VAC or with solar powered operators.

Backup Power Inverters

1000-083 1000 Watt, Pure Sine Wave 2456.00
 1000-045 Inverter Post Mount Kit 302.00
Includes two (2) 35 AH SLA batteries and can power up to two ½ HP operators or one (1) 1 HP operator. This version is suitable to be used with all brands of gate operators. See page 46 for more information.

Bi-Parting (Dual) Gate Interconnection Cable RS 485

9024-136 50-Ft. (15 m) 46.74

Flange Bearing Hinge

1200-009 3000 Lb. (1360 kg) Weight Capacity 170.00
Includes mounting bracket and hardware, two required per gate (top, bottom), designed for use with 2" (50.8 mm) gate frame.

Sealed Bearing Hinge

1200-019 2000 Lb. (907 kg) Weight Capacity 170.00
 1200-039 3000 Lb. (1360 kg) Weight Capacity 202.00
Includes mounting bracket and hardware, two required per gate (top, bottom), designed for use with round or square gate frames.

Uphill Arm Pivot Assembly

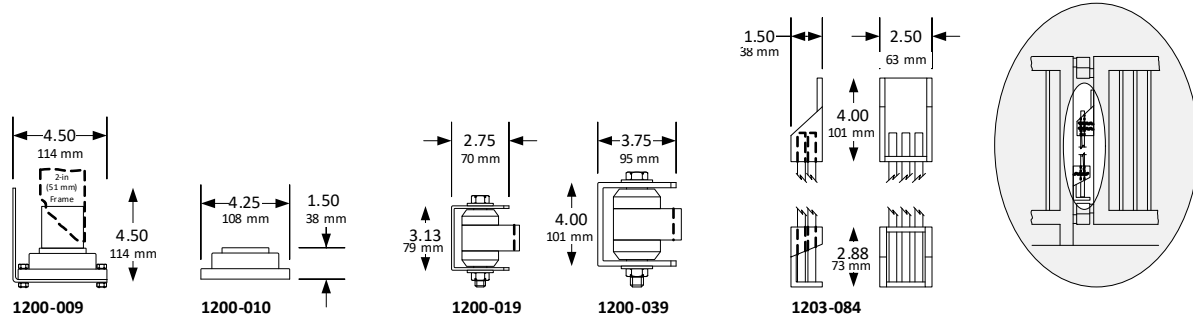
6500-490 268.00
Use with 1203-084 Torsion Rod Assembly.

Torsion Rod Assembly

1203-084 388.00
 2600-299 Additional Torsion Rods 136.00
Counter-balances uphill swing gates, includes top bracket, bottom bracket and one (1) torsion rod. Up to five (5) additional torsion rods can be added.

Swing Gate Accessories

Hinges, Torsion Rod Counter-Balance



Flange Bearing Hinge	
1200-009 3000 Lb. (1360 Kg) weight capacity	170.00
1200-010 Replacement bearing.....	105.50
<ul style="list-style-type: none"> • Designed for use with 2 inch (51 mm) gate frame. • Includes mounting bracket and hardware. • Zert grease fitting. • Two required (top, bottom) per gate. 	
Sealed Bearing Hinge	
1200-019 2000 Lb. (907 Kg) weight capacity	170.00
1200-039 3000 Lb. (1360 Kg) weight capacity	202.00
<ul style="list-style-type: none"> • Designed for use with round or square gate frame. • Includes mounting bracket and hardware. • Two required (top, bottom) per gate. 	

Torsion Rod Counter-Balance Assembly	
1203-084 ¹ Torsion Rod Assembly	388.00
2600-299 ² Torsion Rods.....	136.00
<ol style="list-style-type: none"> 1. Includes one (1) 2600-299 torsion rod. 2. Up to five (5) additional rods can be added to the 1203-084 assembly. 	

Swing Gate Operator Parts & Accessories

Miscellaneous Parts & Accessories

Circuit Boards	
4100-018	604.00
Used in model 6524	
4302-018	670.00
Used in models 6005, 6003, 6004 and 6400	
4405-018	710.00
Used in model 6500, 6550	
4502-018	710.00
Used in models 6050, 6100 and 6300	

Base Plate, Mounting Pipes, Pivot Arm	
2600-664 Concrete Base Plate	202.00
Use to mount the 6050 or 6100 post mount operators onto an existing concrete pad	
6500-490 Uphill Arm Pivot Assembly	268.00
Use with 6050, 6100, 6300 and 6500 operators when the gate opens on an uphill or downhill slope. Should be used with 1203-084 Torsion Rod Assembly.	
6550-490 Uphill Arm Pivot Assembly	268.00
Use with 6550 operator when the gate opens on an uphill or downhill slope. Should be used with 1203-084 Torsion Rod Assembly.	
Bi-Parting Connection Cable	
2600-754 Primary / Secondary Cable	3216.00
500-ft (152.4 m) roll	

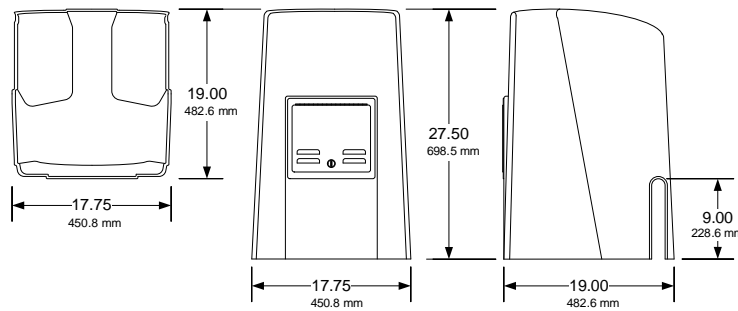
Batteries	
1801-009 Battery	101.86
12 Volt, 3.5 Amp Hour	
1801-004 Battery	242.00
12 Volt, 18 Amp Hour	
1801-005 Battery	310.00
12 Volt, 35 Amp Hour	

9000 Slide Gate Operators

Adjustable Limit Slide Gate Operator

9000

- Adjustable Limits
- Plug-in Loop Detector Ports
- Built-in power and reset switches
- Two 115 VAC convenience outlets
- Selectable stop/ reverse function
- 30:1 Gear Reducer Drive Train
- Steel frame
- Polypropylene cover
- 20-Foot (6 m) #40 Nickel Plated Chain
- Gate tracker data output



Model	Maximum Gate Weight	Maximum Gate Length	Mount	Class of Operation ¹	Voltage ²	HP	Power Outlets	Maximum Cycles / Day	Loop Ports ²	Adjustable Clutch
9000	1000 Lbs 453 KG	35 Ft 10.7 m	Pad or Post ⁴	I, II	115 208 230 460 575 VAC	1/2	2	Continuous	2	No
9000	1500 Lbs 680 KG	35 Ft 10.7 m	Pad or Post ³	I, II, III, IV	115 208 230 460 575 VAC	1	2	Continuous	2	No

1. I = Residential; II = Commercial; III = Limited Access; IV = Restricted Access.
2. High voltage kit (P/N 2600-266) required for 208 Volt and higher.
3. Plug-in loop detector ports; open and reverse. DoorKing plug-in loop detectors only.
3. Requires post mounting kit.

9000 Slide Gate Operators

Adjustable Limit Slide Gate Operator

Choose an Operator

9000-380 ½ HP Primary 115 VAC	3808.00
9000-381 ½ HP Secondary 115 VAC	3136.00
9000-385 1 HP Primary 115 VAC	4746.00
9000-386 1 HP Secondary 115 VAC	3942.00

High Voltage

2600-266 High Voltage Kit	712.00
---------------------------------	--------

Allows the operator to be powered from 208, 230, 460 or 575 VAC source voltage.

Choose Entrapment Protection (required) Devices

Use Type B1 (non-contact) and/or Type B2 (contact) entrapment protection devices to protect all areas where the risk of entrapment exist - see pages 42-43.

Operator will not run without entrapment protection devices connected to the controller board. Minimum of two (one in each direction of travel) is required. See installation manual for more information.

Loops and Loop Detectors

See page 44 for a complete list of all loop detectors, prefabricated loops and loop accessories available.

Surge Suppression

1879-080 High Voltage (120 VAC)	174.00
---------------------------------------	--------

Accessories

8060-082 RF Kit (Receiver + MicroPlus TX (1)	204.00
9000-015 Post Mount Kit ¹	696.00
2600-961 Chain Link Fence Gate Bracket	91.14
1601-154 Heater Kit 120 VAC ²	538.00
1601-197 Heater Kit 208/230 VAC ²	1126.00
1601-198 Heater Kit 480 VAC ²	1126.00

1. Includes base plate, mounting posts and hardware.
2. Heater turns on when temperature falls below 40°F (4.4°C).

Chain

2600-442 #40 Chain, Nickel Plated, 20-Ft (6 m)	174.00
2600-818 Chain Idler Assembly ¹	114.00

1. Use with rear-mounted operators.

Backup Power Inverters

1000-083 1000 Watt, Pure Sine Wave	2456.00
1000-045 Inverter Post Mount Kit	302.00

Includes two (2) 35 AH SLA batteries and can power up to two ½ HP operators or one (1) 1 HP operator. This version is suitable to be used with all brands of gate operators. See page 46 for more information.

Bi-Parting (Dual) Gate Interconnection Cable

2600-755 30-Ft. (9.1 m)	242.00
2600-756 40-Ft. (12.2 m)	320.00
2600-757 50-Ft. (15.2 m)	404.00
2600-754 500-Ft. (152.4 m)	3216.00

Guarded Guide Rollers & Bracket Assembly

1204-120 Single 3-in (76.2 mm)	87.12
1204-122 Dual 3-in (76.2 mm)	152.00
1204-121 Single 6-in (152.4 mm)	108.00
1204-123 Dual 6-in (152.4 mm)	188.00
1204-005 Replacement Roller 3-in (76.2 mm)	20.10

See page 37 for more information.

V-Wheels - Max Gate Weight

1201-102 UHMW 4-in (101.6 mm) 500 lb. (227 kg)	88.44
1201-105 UHMW 4-in (101.6 mm) 750 lb. (340 kg)	120.00
1201-117 Steel 4-in (101.6 mm) 1500 lb. (680 kg)	162.00

See page 36 for more information.

V-Wheels Tandem – Max Gate Weight

1201-012 UHMW 4-in (101.6 mm) 1500 lb. (680 kg)	226.00
1201-010 Steel 4-in (101.6 mm) 3000 lb. (1360 kg)	404.00
1201-210 Steel 6-in (152.4 mm) 5000 lb. (2268 kg)	592.00

See page 36 for more information.

End Catch

1204-004	66.98
----------------	-------

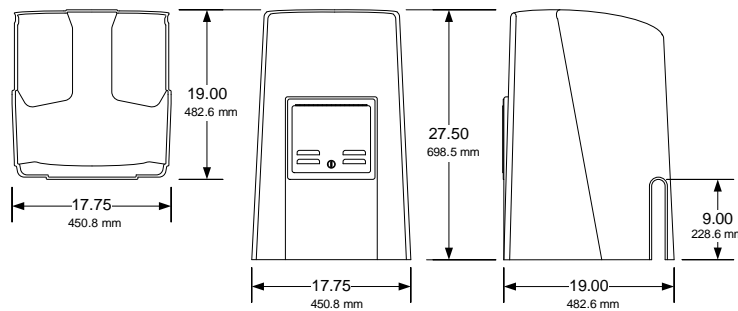
Designed for gates with 2-inch (50.8 mm) frame.

9024 DC Slide Gate Operator

Adjustable Limit Slide Gate Operator

9024

- Input 115/230 VAC or 24 VDC (Solar)
- Adjustable Limits
- Plug-in Loop Detector Ports
- Gate Tracker Data Output
- Built-in power and reset switches
- 20-Foot (6 m) #40 Nickel Plated Chain
- Polypropylene cover
- 30:1 Gear Reducer Drive Train
- Built-in Battery Backup
- Galvanized steel frame
- Opens gate 90° in approximately 16 sec.
- Magnetic lock output
- Overlap feature for bi-parting gates



Model	Maximum Gate Weight	Maximum Gate Length	Mount	Class of Operation ¹	Voltage	HP	Power Outlets	Maximum Cycles / Day	Loop Ports ²	Adjustable Clutch
9024	1000 Lbs 453 KG	40 Ft 12.2 m	Pad or Post ⁵	I, II, III, IV	115/230 VAC	1/2	2	Continuous ^{3,4}	2	No
9024 ⁶	1000 Lbs 453 KG	40 Ft 12.2 m	Pad or Post ⁵	I, II, III, IV	24 VDC (Solar)	1/2	0	Up to 150 ⁴	2	No

1. I = Residential; II = Commercial; III = Limited Access; IV = Restricted Access
2. Plug-in loop detector ports; open and reverse. DoorKing plug-in loop detectors only.
3. Continuous operation is when AC power is present. Operation on battery backup (7.5 Ah batteries) is limited to approximately 40 cycles.
4. Up to 150 cycles with 18 Ah batteries. Actual number of cycles will vary depending on usage, accessories connected, gate weight, operating condition of gate, temperature and charge state of the batteries. Charge state of batteries is affected by geographical location of the product when using solar to recharge the batteries.
5. Requires post mounting kit.
6. Solar powered operators will not support bi-parting (dual) gate operation.

9024 DC Slide Gate Operator

Adjustable Limit Slide Gate Operator

Choose an Operator

9024-380 115/230 VAC 3220.00
Includes two 7.5 Ah batteries for limited backup operation. Order 18 Ah batteries to extend the backup operation cycles.
Includes 50 feet (15 m) of RS 485 interconnection cable for bi-parting (dual) gate operation.

9024-381 24 VDC (Solar) 2998.00
24 VDC solar input power only (supply your own batteries and solar charging system or use DKS solar kit).
Solar powered operators will not support bi-parting (dual) gate operation.

Choose Entrapment Protection (required) Devices

Use Type B1 (non-contact) and/or Type B2 (contact) entrapment protection devices to protect all areas where the risk of entrapment exist - see pages 42-43.
Operator will not run without entrapment protection devices connected to the controller board. Minimum of two (one in each direction of travel) is required. See installation manual for more information.

Battery / Solar Options

1801-004 12-Volt, 18 Ah Battery¹ 242.00
 2000-077 24-Volt, 10 Watt Solar Panel 404.00
 2000-070 Solar Kit² 946.00
 1. Two required for 24 Volt operation.
 2. Kit includes two (2) 18 Ah batteries, 10 Watt solar panel and bracket.

Loops and Loop Detectors

See page 44 for a complete list of all loop detectors, prefabricated loops and loop accessories available.

Surge Suppression

1879-080 High Voltage (120 VAC) 174.00

Accessories

8060-082 RF Kit (Receiver + MicroPlus TX (1) 204.00
 9000-015 Post Mount Kit¹ 738.00
 2600-961 Chain Link Fence Gate Bracket 91.14
 1601-154 Heater Kit 120 VAC² 538.00
 1601-197 Heater Kit 208/230 VAC² 1126.00
 1. Includes base plate, mounting posts and hardware.
 2. Heater turns on when temperature falls below 40°F (4.4°C).

Backup Power Inverters

1000-083 1000 Watt, Pure Sine Wave 2456.00
 1000-045 Inverter Post Mount Kit 302.00
Includes two (2) 35 AH SLA batteries and can power up to two ½ HP operators or one (1) 1 HP operator. This version is suitable to be used with all brands of gate operators. See page 46 for more information.

Bi-Parting (Dual) Gate Interconnection Cable RS 485

9024-136 50-Ft. (15 m) 46.74

Guarded Guide Rollers & Bracket Assembly

1204-120 Single 3-in (76.2 mm) 87.12
 1204-122 Dual 3-in (76.2 mm) 152.00
 1204-121 Single 6-in (152.4 mm) 108.00
 1204-123 Dual 6-in (152.4 mm) 188.00
 1204-005 Replacement Roller 3-in (76.2 mm) 20.10
See page 37 for more information.

V-Wheels - Max Gate Weight

1201-102 UHMW 4-in (101.6 mm) 500 lb. (227 kg) 88.44
 1201-105 UHMW 4-in (101.6 mm) 750 lb. (340 kg) 120.00
 1201-117 Steel 4-in (101.6 mm) 1500 lb. (680 kg) 162.00
See page 36 for more information.

V-Wheels Tandem – Max Gate Weight

1201-012 UHMW 4-in (101.6 mm) 1500 lb. (680 kg) 226.00
 1201-010 Steel 4-in (101.6 mm) 3000 lb. (1360 kg) 404.00
 1201-210 Steel 6-in (152.4 mm) 5000 lb. (2268 kg) 592.00
See page 36 for more information.

Chain

2600-442 #40 Chain, Nickel Plated, 20-Ft (6 m) 174.00
 2600-818 Chain Idler Assembly¹ 114.00
 1. Use with rear-mounted operators.

End Catch

1204-004 66.98
Designed for gates with 2-inch (50.8 mm) frame.

9050 / 9100 Slide Gate Operators

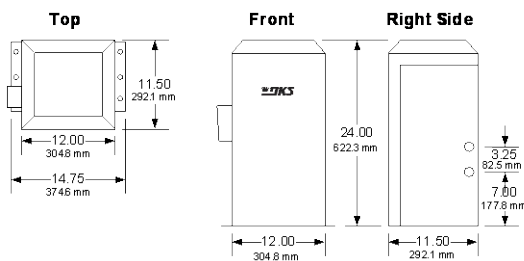
Automatic Magnetic Limits

9050 / 9100

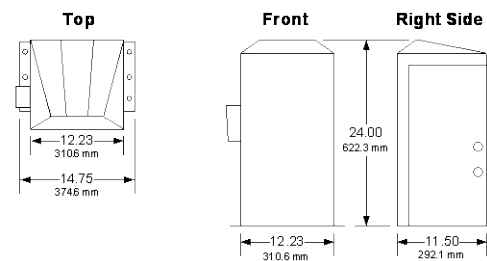
- Self-Adjusting Magnetic Limits
- Built-in clutch
- Plug-in Loop Detector Ports
- Built-in power and reset switches
- Two 115 VAC convenience outlets
- Fail-Safe Configuration

9100

- G90 Galvanized steel frame
- Steel or Polypropylene (Poly) cover
- 20-Feet (6 m) #40 Nickel Plated Chain
- Gate tracker data output (9100 only)
- Selectable stop/ reverse function (9100 only)
- Partial open / anti-tailgate feature (9100 only)



Metal Cover



Polypropylene Cover

Model	Maximum Gate Weight	Maximum Gate Length	Mount	Class of Operation ¹	Voltage	HP	Power Outlets	Maximum Cycles / Day	Loop Ports ²	Adjustable Clutch ³
9050	500 Lbs 227 KG	16 Ft 4.88 m	Pad or Post ⁴	I	115 VAC	1/2 ⁵	2	100	2	Yes
9100	1000 Lbs 453 KG	30 Ft 9.14 m	Pad or Post ⁴	I, II, III, IV	115 VAC	1/2	2	Continuous	2	Yes

1. I = Residential; II = Commercial; III = Limited Access; IV = Restricted Access
2. Plug-in loop detector ports; open and reverse. DoorKing plug-in loop detectors only.
3. Clutch is not applicable as an entrapment protection device.
4. Requires post mount steel base plate.
5. This is an intermittent duty cycle motor.

9050 / 9100 Slide Gate Operators

Automatic Magnetic Limits

Choose an Operator

9050-380 ½ HP Metal Cover.....	2210.00
9050-385 ½ HP Poly Cover ¹	2210.00
9100-380 ½ HP Metal Cover.....	3216.00
9100-385 ½ HP Poly Cover ¹	3216.00

1. Includes 8060-082 RF Kit.

Choose Entrapment Protection (required) Devices

Use Type B1 (non-contact) and/or Type B2 (contact) entrapment protection devices to protect all areas where the risk of entrapment exist - see pages 42-43.

Operator will not run without entrapment protection devices connected to the controller board. Minimum of two (one in each direction of travel) is required. See installation manual for more information.

Loops and Loop Detectors

See page 44 for a complete list of all loop detectors, prefabricated loops and loop accessories available.

Surge Suppression

1879-080 High Voltage (120 VAC).....	174.00
--------------------------------------	--------

Accessories

8060-082 RF Kit (Receiver + MicroPlus TX (1)	204.00
2600-495 Steel Base Plate.....	338.00
2600-970 Base Plate Stop Bracket ¹	66.98
2600-865 Fail-Secure Lock Kit ²	42.88
2600-961 Chain Link Fence Gate Bracket.....	91.14
1601-154 Heater Kit 120 VAC ³	538.00
1601-197 Heater Kit 208/230 VAC ³	1126.00
1601-198 Heater Kit 480 VAC ³	1126.00

1. Use with 2600-495 base plate.

2. Operators come standard in a Fail-Safe configuration.

3. Heater turns on when temperature falls below 40°F (4.4°C).

Chain

2600-442 #40 Chain, Nickel Plated, 20-Ft (6 m).....	174.00
2600-271 Chain Stop #40, #41 Chain.....	33.52
2600-818 Chain Idler Assembly ¹	114.00

1. Use with rear-mounted operators.

Backup Power Inverters

1000-083 1000 Watt, Pure Sine Wave	2456.00
1000-045 Inverter Post Mount Kit.....	302.00

Includes two (2) 35 AH SLA batteries and can power up to two ½ HP operators or one (1) 1 HP operator. This version is suitable to be used with all brands of gate operators. See page 46 for more information.

Bi-Parting (Dual) Gate Interconnection Cable

2600-755 30-Ft. (9.1 m).....	242.00
2600-756 40-Ft. (12.2 m).....	320.00
2600-757 50-Ft. (15.2 m).....	404.00
2600-754 500-Ft. (152.4 m).....	3216.00

Guarded Guide Rollers & Bracket Assembly

1204-120 Single 3-in (76.2 mm)	87.12
1204-122 Dual 3-in (76.2 mm)	152.00
1204-121 Single 6-in (152.4 mm)	108.00
1204-123 Dual 6-in (152.4 mm)	188.00
1204-005 Replacement Roller 3-in (76.2 mm)	20.10

See page 37 for more information.

V-Wheels - Max Gate Weight

1201-102 UHMW 4-in (101.6 mm) 500 lb. (227 kg)	88.44
1201-105 UHMW 4-in (101.6 mm) 750 lb. (340 kg)	120.00
1201-117 Steel 4-in (101.6 mm) 1500 lb. (680 kg)	162.00

See page 36 for more information.

V-Wheels Tandem – Max Gate Weight

1201-012 UHMW 4-in (101.6 mm) 1500 lb. (680 kg) ...	226.00
1201-010 Steel 4-in (101.6 mm) 3000 lb. (1360 kg)	404.00
1201-210 Steel 6-in (152.4 mm) 5000 lb. (2268 kg)	592.00

See page 36 for more information.

End Catch

1204-004.....	66.98
---------------	-------

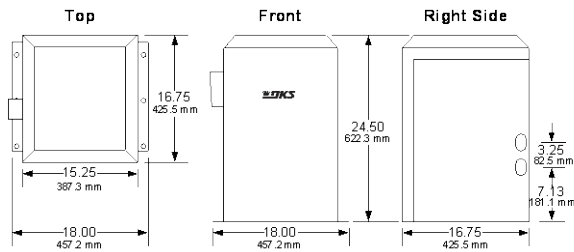
Designed for gates with 2-inch (50.8 mm) frame.

9150 Slide Gate Operators

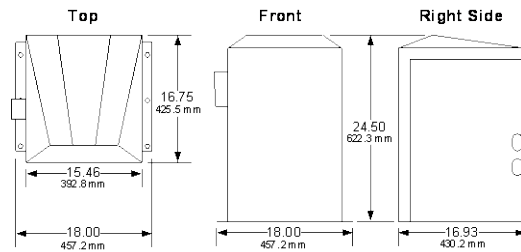
Automatic Magnetic Limits

9150

- Self-Adjusting Magnetic Limits
- Built-in clutch
- Plug-in Loop Detector Ports
- Built-in power and reset switches
- Two 115 VAC convenience outlets
- Fail-Safe Configuration
- G90 Galvanized steel frame
- Steel or Polypropylene (Poly) cover
- 20-Feet (6 m) #40 Nickel Plated Chain
- Gate tracker data output
- Selectable stop/ reverse function
- Partial open / anti-tailgate feature



Metal Cover



Polypropylene Cover

Model	Maximum Gate Weight	Maximum Gate Length	Mount	Class of Operation ¹	Voltage ²	HP	Power Outlets	Maximum Cycles / Day	Loop Ports ²	Adjustable Clutch ³
9150	1000 Lbs 454 KG	30 Ft 9.14 m	Pad or Post ⁴	I, II, III, IV	115 208 230 460 575 VAC	1/2	2	Continuous	2	Yes
9150	1500 Lbs 680 KG	45 Ft 13.7 m	Pad or Post ⁴	I, II, III, IV	115 208 230 460 575 VAC	1	2	Continuous	2	Yes

1. I = Residential; II = Commercial; III = Limited Access; IV = Restricted Access.
2. High voltage kit (P/N 2600-266) required for 208 Volt and higher.
3. Plug-in loop detector ports; open and reverse. DoorKing plug-in loop detectors only.
4. Clutch is not applicable as an entrapment protection device.
5. Requires post mount steel base plate.

9150 Slide Gate Operators

Automatic Magnetic Limits

Choose an Operator

9150-384 ½ HP Metal Cover.....	3442.00
9150-386 ½ HP Poly Cover ¹	3442.00
9150-380 1 HP Metal Cover	4154.00
9150-385 1 HP Poly Cover ¹	4154.00

1. Includes 8060-082 RF Kit.

High Voltage

2600-266 High Voltage Kit.....	712.00
--------------------------------	--------

Allows the operator to be powered from 208, 230, 460 or 575 VAC source voltage.

Choose Entrapment Protection (required) Devices

Use Type B1 (non-contact) and/or Type B2 (contact) entrapment protection devices to protect all areas where the risk of entrapment exist - see pages 42-43.

Operator will not run without entrapment protection devices connected to the controller board. Minimum of two (one in each direction of travel) is required. See installation manual for more information.

Loops and Loop Detectors

See page 44 for a complete list of all loop detectors, prefabricated loops and loop accessories available.

Surge Suppression

1879-080 High Voltage (120 VAC)	174.00
---------------------------------------	--------

Accessories

8060-082 RF Kit (Receiver + MicroPlus TX (1)	204.00
2600-495 Steel Base Plate.....	338.00
2600-970 Base Plate Stop Bracket ¹	66.98
2600-865 Fail-Secure Lock Kit ²	42.88
2600-961 Chain Link Fence Gate Bracket.....	91.14
1601-154 Heater Kit 120 VAC ³	538.00
1601-197 Heater Kit 208/230 VAC ³	1126.00
1601-198 Heater Kit 480 VAC ³	1126.00

1. Use with 2600-495 base plate.
2. Operators come standard in a Fail-Safe configuration.
3. Heater turns on when temperature falls below 40°F (4.4°C).

Backup Power Inverters

1000-083 1000 Watt, Pure Sine Wave	2456.00
1000-045 Inverter Post Mount Kit.....	302.00

Includes two (2) 35 AH SLA batteries and can power up to two ½ HP operators or one (1) 1 HP operator. This version is suitable to be used with all brands of gate operators. See page 46 for more information.

Bi-Parting (Dual) Gate Interconnection Cable

2600-755 30-Ft. (9.1 m).....	242.00
2600-756 40-Ft. (12.2 m).....	320.00
2600-757 50-Ft. (15.2 m).....	404.00
2600-754 500-Ft. (152.4 m).....	3216.00

Guarded Guide Rollers & Bracket Assembly

1204-120 Single 3-in (76.2 mm)	87.12
1204-122 Dual 3-in (76.2 mm).....	152.00
1204-121 Single 6-in (152.4 mm)	108.00
1204-123 Dual 6-in (152.4 mm).....	188.00
1204-005 Replacement Roller 3-in (76.2 mm).....	20.10

See page 37 for more information.

V-Wheels - Max Gate Weight

1201-102 UHMW 4-in (101.6 mm) 500 lb. (227 kg).....	88.44
1201-105 UHMW 4-in (101.6 mm) 750 lb. (340 kg).....	120.00
1201-117 Steel 4-in (101.6 mm) 1500 lb. (680 kg)	162.00

See page 36 for more information.

V-Wheels Tandem – Max Gate Weight

1201-012 UHMW 4-in (101.6 mm) 1500 lb. (680 kg)....	226.00
1201-010 Steel 4-in (101.6 mm) 3000 lb. (1360 kg)	404.00
1201-210 Steel 6-in (152.4 mm) 5000 lb. (2268 kg)	592.00

See page 36 for more information.

Chain

2600-442 #40 Chain, Nickel Plated, 20-Ft (6 m)	174.00
2600-271 Chain Stop #40, #41 Chain.....	33.52
2600-818 Chain Idler Assembly ¹	114.00

1. Use with rear-mounted operators.

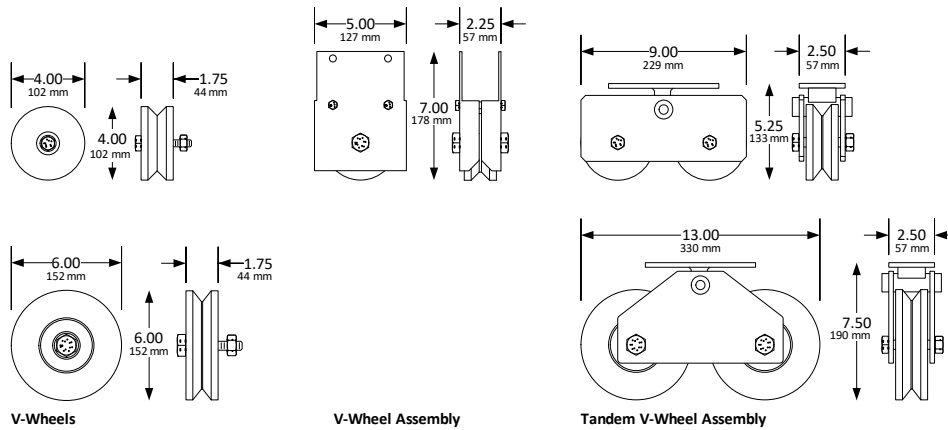
End Catch

1204-004	66.98
----------------	-------

Designed for gates with 2-inch (50.8 mm) frame.

Slide Gate Accessories

V-Wheels

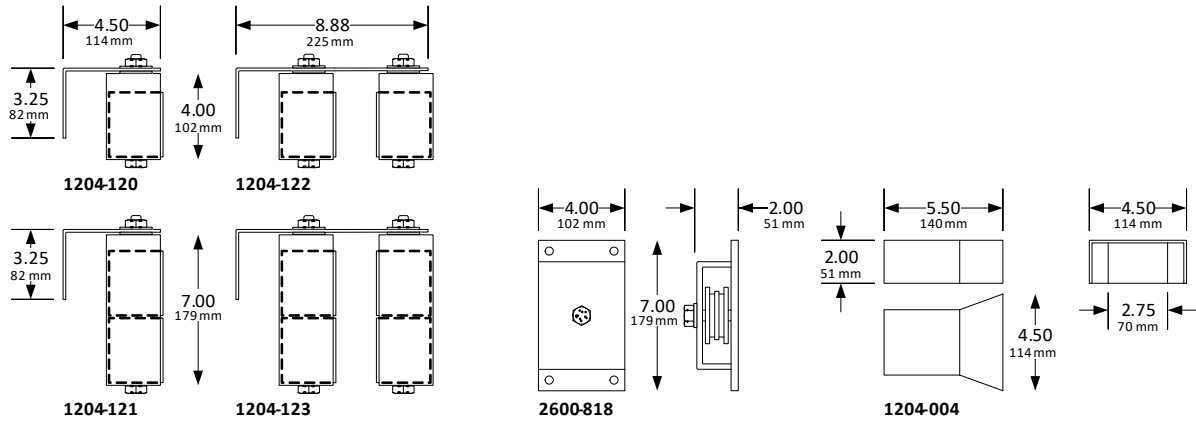


4-Inch (102 mm) V-Wheels	
1201-004 UHMW w/sleeve bearing.....	48.24
• 500 Lb. (226 Kg) maximum weight	
1201-006 UHMW w/sealed bearing	66.98
• 750 Lb. (340 Kg) maximum weight	
1201-016 Steel w/sealed bearing	120.00
• 1500 Lb. (680 Kg) maximum weight	
4-Inch (102 mm) V-Wheel Assemblies¹	
1201-102 UHMW w/sleeve bearing.....	88.44
• 500 Lb. (226 Kg) maximum weight	
1201-105 UHMW w/sealed bearing	120.00
• 750 Lb. (340 Kg) maximum weight	
1201-117 Steel w/sealed bearing	162.00
• 1500 Lb. (680 Kg) maximum weight	
1. Assemblies include wheel guarding as required by industry safety standards.	
4-Inch (102 mm) Tandem V-Wheel Assemblies	
1201-012 UHMW w/sealed bearing	226.00
• 1500 Lb. (680 Kg) maximum weight	
1201-010 Steel w/sealed bearing	404.00
• 3000 Lb. (1360 Kg) maximum weight	

6-Inch (152 mm) V-Wheel	
1201-000 Steel w/sealed bearing.....	236.00
• 2500 Lb. (1133 Kg) maximum weight	
6-Inch (152 mm) Tandem V-Wheel Assembly	
1201-210 Steel w/sealed bearing.....	592.00
• 5000 Lb. (2267 Kg) maximum weight	

Slide Gate Accessories

Guide Rollers, Chain Idler, End Catch



3-Inch (76 mm) Guide Roller Assemblies¹	
1204-120 Single	87.12
1204-122 Dual	152.00
1. Assemblies include roller guarding as required by industry safety standards.	
6-Inch (152 mm) Guide Roller Assemblies¹	
1204-121 Single	108.00
1204-123 Dual	188.00
1. Assemblies include roller guarding as required by industry safety standards.	
3-Inch (76 mm) Replacement Roller	
1204-005.....	20.10

Chain Idler Assembly	
2600-818.....	114.00
<ul style="list-style-type: none"> Use this with rear-mounted slide gate operators. Works with #40 and #41 chain. 	
End Catch	
1204-004.....	66.98
<ul style="list-style-type: none"> Use with 2-inch (51 mm) gate frame. 	

Slide Gate Operator Parts & Accessories

Miscellaneous Parts & Accessories

Circuit Boards	
4100-018	604.00
Used in model 9024	
4405-018	710.00
Used in model 9000	
4602-018	872.00
Used in models 9100, 9150	
4702-018	604.00
Used in models 9050	

Chain	
2600-441 #41 Chain – 20 Ft (6 m).....	136.00
2600-442 #40 Chain, Nickel Plated – 20 Ft (6 m)	174.00
2600-271 Chain Stop for #40 and #41 Chain.....	33.52
2600-961 Chain Link Fence Gate Bracket.....	91.14
Base Plates	
2600-418 Steel Base Plate	100.50
Use with 9050 and 9100 operators	
2600-495 Steel Base Plate	338.00
Use with 9150 operator	
2600-970 Base Plate Stop Bracket	66.98
Use with 2600-418 and 2600-495	
Bi-Parting Connection Cable	
2600-755 30-Ft. (9.1 m)	228.00
2600-756 40-Ft. (12.2 m)	302.00
2600-757 50-Ft. (15.2 m)	382.00
2600-754 500-Ft. (152.4 m)	3034.00

Blank Page

Entrapment Prevention Devices

Non-contact Sensors Type B1

Thru-Beam

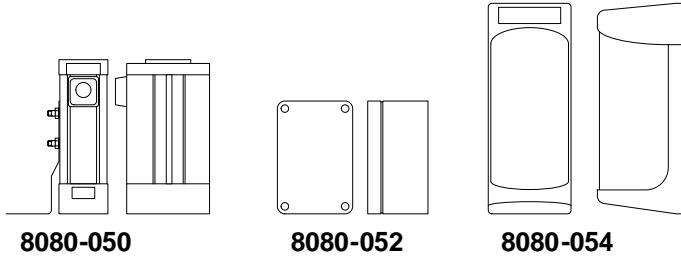
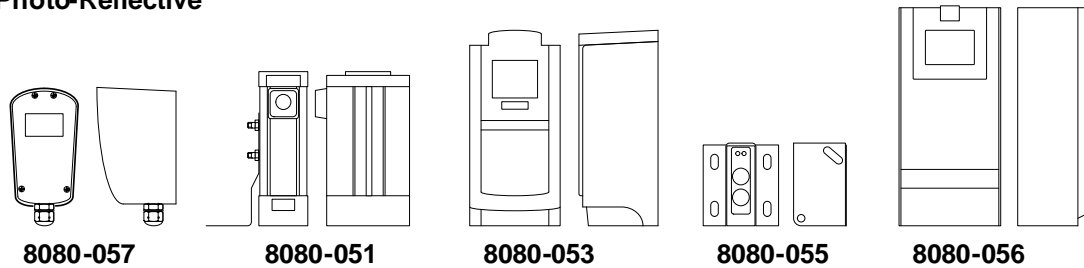


Photo-Reflective

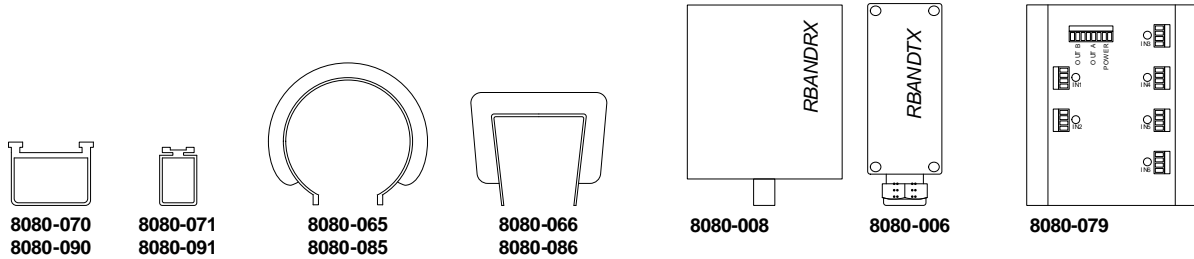


Thru-Beam Devices	
8080-050 (ME-PG)	608.00
<ul style="list-style-type: none"> • 50 Ft. (15 m) maximum sensing distance. • Receiver (RX-R) 7-30 VAC / 10-42 VDC. • Transmitter (EM-W) 7-30 VAC / 10-42 VDC. 	
8080-052 (EMX MON)	608.00
<ul style="list-style-type: none"> • 115 Ft. (35 m) maximum sensing distance. • 12-24 VAC / 6-35 VDC. • Includes hood. 	
8080-054 (Seco-Larm E960-D90GQ)	608.00
<ul style="list-style-type: none"> • 90 Ft. (27 m) maximum sensing distance. • 12-30 VAC / VDC. 	

Photo-Reflective Devices	
8080-057 (DKS)	180.00
<ul style="list-style-type: none"> • 35 Ft. (10.6 m) maximum sensing distance. • Receiver 10-25 VAC / 12-30 VDC. 	
8080-051 (ME-RG).....	560.00
<ul style="list-style-type: none"> • 30 Ft. (9 m) maximum sensing distance. • Receiver 7-30 VAC / 10-42 VDC. 	
8080-053 (EMX IRB-RET)	560.00
<ul style="list-style-type: none"> • 60 Ft. (18 m) maximum sensing distance. • 12-24 VAC / 6-35 VDC. 	
8080-055 (Seco-Larm E936-S45RRGQ).....	560.00
<ul style="list-style-type: none"> • 45 Ft. (14 m) maximum sensing distance. • 12-30 VAC / VDC. 	
8080-056 (Omron E3K).....	560.00
<ul style="list-style-type: none"> • 33 Ft. (10 m) maximum sensing distance. • 24-240 VAC / VDC. 	

Entrapment Prevention Devices

Contact Sensors Type B2

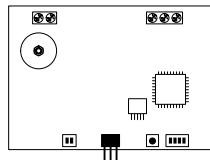


2-Wire Contact Edge with 10K Termination	
8080-071 6 Ft. (1.8 m) ME111-T2	428.00
• Ideal for barrier arms, includes mounting channel.	
8080-070 5 Ft. (1.5 m) ME123-T2	428.00
• Includes mounting channel.	
8080-065 5 Ft. (1.5 m) MGR20-T2.....	470.00
• Fits on 2 in (51 mm) round post.	
8080-066 5 Ft. (1.5 m) MGS20-T2.....	470.00
• Fits on 2 in (51 mm) square post.	
4-Wire Contact Edge ¹	
8080-091 6 Ft. (1.8 m) ME111	428.00
• Ideal for barrier arms, includes mounting channel.	
8080-090 5 Ft. (1.5 m) ME123	428.00
• Includes mounting channel.	
8080-085 5 Ft. (1.5 m) MGR20.....	470.00
• Fits on 2 in (51 mm) round post.	
8080-086 5 Ft. (1.5 m) MGS20.....	470.00
• Fits on 2 in (51 mm) square post.	
1. 4-wire edges do not have 10K termination and are designed to be used wired in series with the 2-wire T2 edges.	

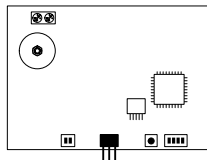
Contact Sensor Accessories	
8080-079 Multiple Input Module (MIM 62)	968.00
• Monitors up to six (6) external contact edges.	
8080-008 Wireless Monitored Link (RB-G-K10) ¹	586.00
• Receiver: 12-24 VAC / VDC.	
• Transmitter: 3.6 VDC / 2 AA Lithium.	
• Receiver can monitor up to six (6) edges.	
1. Kit includes receiver and one (1) RB-TX-10 transmitter.	
8080-006 Monitored Transmitter (RB-TX-10)	292.00

Vehicle Protection

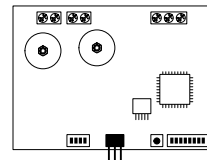
Loop Detectors and Loops



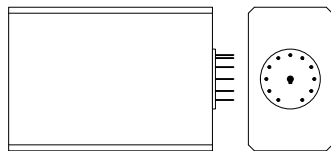
9411-010



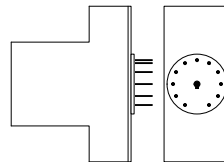
9410-010 / 9416-010



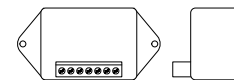
9409-010 / 9415-010



9402-045 / 9402-047



9402-044



9402-050

DKS Plug-In Loop Detectors

9411-010 Single Channel + Aux Relay	278.00
9410-010 Single Channel	258.00
9409-010 Two Channel	486.00
9415-010 Two Channel Low Power Draw	508.00
9416-010 Single Channel Low Power Draw	292.00

Reno A&E Wired Loop Detectors^{1,2}

9402-045 24 VAC / 12-24 VDC	338.00
9402-047 120 VAC	338.00
9402-061 Wire Harness	29.48

Carlo Gavazzi Wired Loop Detectors^{1,2}

9402-044 24 VAC / VDC	248.00
9402-061 Wire Harness	29.48

Diablo Wired Loop Detectors

9402-050 10-30 VAC / VDC Low Power Draw	338.00
---	--------

1. Detectors have two (2) relay outputs.
2. 9402-061 harness required.

Loop Wire – 18 AWG – XLPE Insulation

9402-076 500 Ft. (152 m) Black	216.00
9402-077 1000 Ft. (304 m) Black	338.00
9402-078 500 Ft. (152 m) Blue	216.00
9402-079 1000 Ft. (304 m) Blue	338.00
9402-080 500 Ft. (152 m) Red	216.00
9402-081 1000 Ft. (304 m) Red	338.00

Prefabricated Loops¹

9401-060 Blue Wire	338.00
9401-061 Yellow Wire	338.00
9401-062 Red Wire	338.00

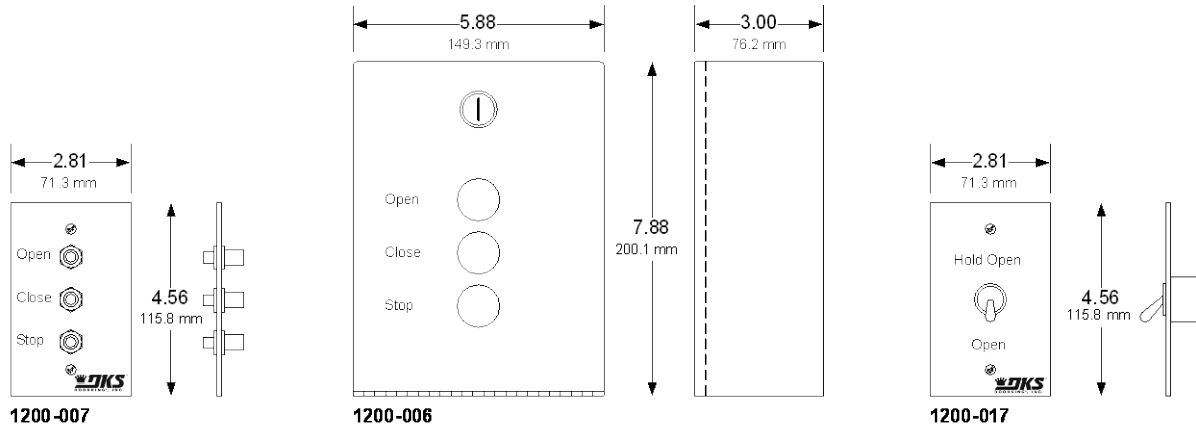
24 Ft. (7 m) circumference, 50 Ft. (15 M) lead-in wire.

Loop Accessories

9401-045 Meg-Ohm Test Meter	604.00
-----------------------------------	--------

Control Stations

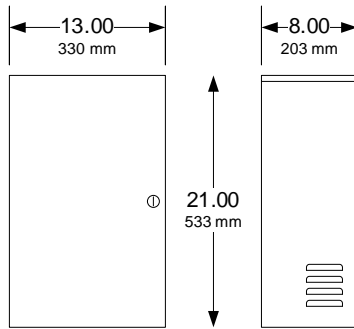
Manual Control



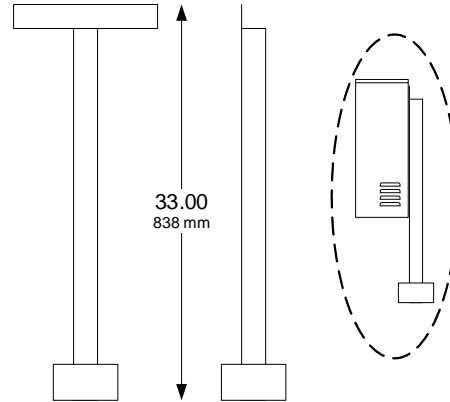
3-Button Control¹	
1200-007 Indoor use only	100.50
<ul style="list-style-type: none"> Mounts into single-gang electrical box. 	
1200-006 Indoor or Outdoor use	182.00
<ul style="list-style-type: none"> Wall mount 	
<p>1. These control stations use a normally open stop circuit and can only be used with the following models: 6050, 6100, 6300.</p>	
Toggle Control	
1200-017 Indoor use only	60.30
<ul style="list-style-type: none"> Mounts into single-gang electrical box 	

Model 1000

Back-up Power / Inverter



1000-083



1000-045

Model 1000 Power Inverter

1000-083 Pure Sine Wave, 1000 Watt.....2456.00

- Includes two (2) batteries.
- Will power two (2) ½ HP operators or a single 1 HP operator.
- Suitable for use with DoorKing Class I and Class II gate operators and most other residential / light commercial gate operator brands.

Accessories

1000-045 Post Mount 302.00
 1801-005 12-Volt, 35 Ah SLA Battery..... 310.00
 1000-044 Battery Cable Set 63.60
 1000-048 Battery (35 Ah) + Cable Set 520.00