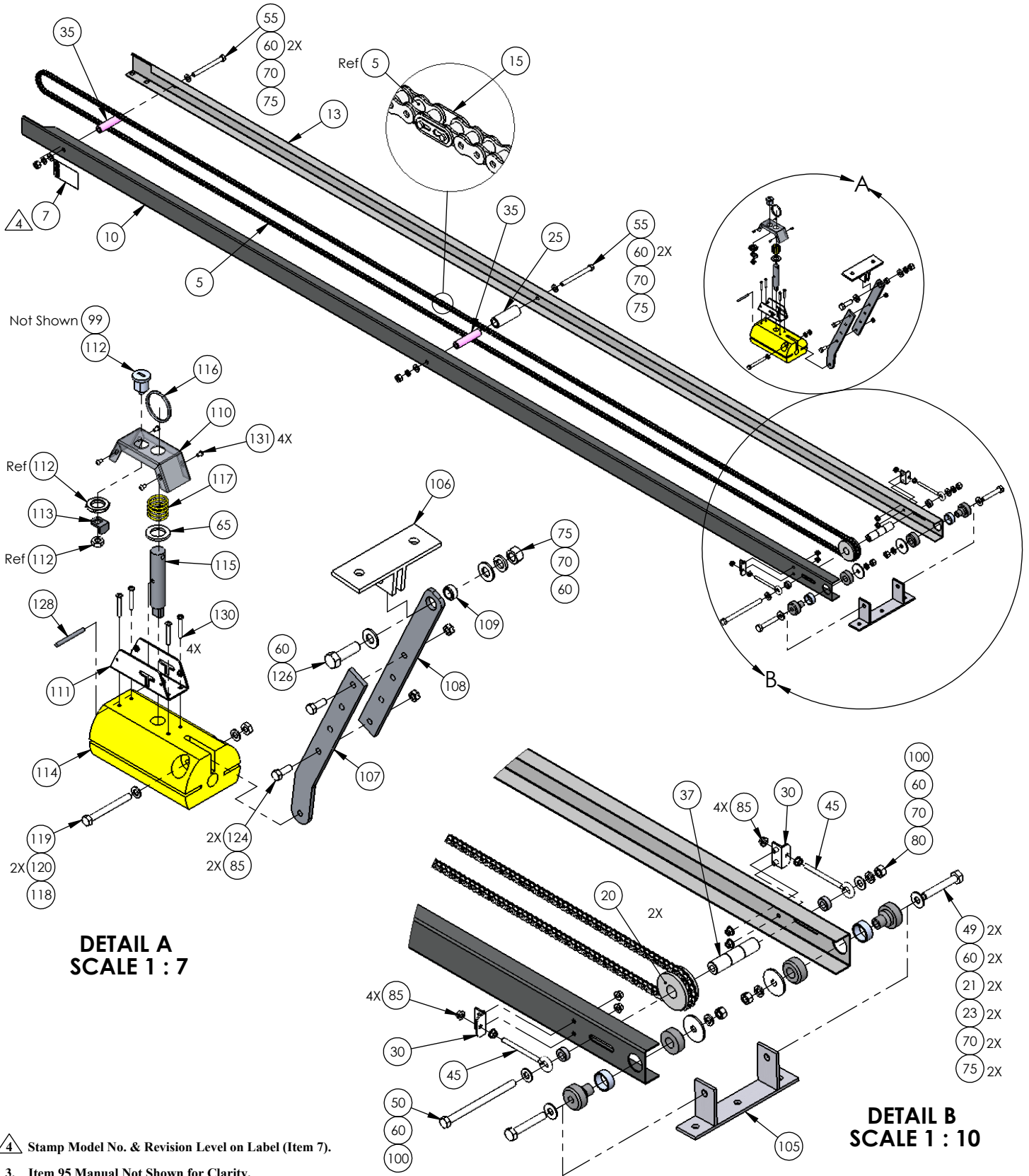


REVISIONS

REV	DESCRIPTION	DATE	APPROVED
C	Deleted Item 98 Was: 2600-482.	Sal 01/30/09	D.C. 01/30/09



**DETAIL A  
SCALE 1 : 7**

**DETAIL B  
SCALE 1 : 10**


4 Stamp Model No. & Revision Level on Label (Item 7).

3. Item 95 Manual Not Shown for Clarity.

2. Items 57, 60, 70, & 75 (Qty 4.0 each) and 99 to be package in Hardware Container, and used in next assembly.

1. See attached reference sheet for BOM; Reference Movex 1150-226 Rev C.

Notes: Unless Otherwise Specified.

<p><b>PROPRIETARY AND CONFIDENTIAL</b> THE INFORMATION CONTAINED IN THIS DRAWING IS THE SOLE PROPERTY OF Door King. ANY REPRODUCTION IN PART OR AS A WHOLE WITHOUT THE WRITTEN PERMISSION OF Door King IS PROHIBITED.</p>	NAME	DATE	 <b>IPB-Model 1150-226, Rail Assy (13), Overhead Operator</b>	
	DRAWN	Sal		11/03/06
	CHECKED			
	COMMENTS:			
SIZE	DWG. NO.	REV		
A	1150-826	C		
Scale: None			SHEET 1 OF 2	

Item	Part Number	Qty	UM	Description	REV
1	1150-826	1	EA	IPB-Model 1150-226, Rail (13'), Overhead Operator	C
5	2600-442	1.329	EA	Chain #40 20' Box	
6	1860-030	3	EA	Wire Tie 11"	
7	2599-199	1	EA	Label Universal	
10	1150-127	1	EA	Rail-Left, 13 ft. Model 1150	
13	1150-128	1	EA	Rail- Right,13 ft. Model 1150	
15	1100-120	1	EA	Chain Master Link Extended #40	
20	1150-025	1	EA	End Idler UHMW Model 1150	
21	1100-145	2	EA	Grommet Collar Rail Assy	
23	1100-132	2	EA	Vibration Isolator 5XK47	
25	1150-057	1	EA	Chain Guide UHMW Model 1150	
30	2600-308	2	EA	Bracket 1150 Chain Adjust	
35	1150-010	2	EA	Spacer Model 1150 4.43"	
37	1150-011	1	EA	End Idler Shaft Model 1150	
40	2630-011	2	EA	Snap Ring 1" #3100-100ZD	
45	2615-345	2	EA	Bolt Eye Turned 5/16x18x4"l	
49	2615-086	2	EA	Bolt Hex Head 1/2-13 x 3	
50	2615-107	1	EA	Bolt Hex Head 1/2-13 x7"	
55	2615-096	2	EA	Bolt Hex Head 1/2-13 x5 1/2"	
57	2615-681	4	EA	Bolt Carriage 1/2"x13x1"	
60	2620-021	14	EA	Washer 1/2 " SAE	
65	2600-345	1	EA	Washer Hardened 1 1/4 x 3/4 ID	
70	2620-050	10	EA	Lockwasher 1/2"	
75	2620-420	9	EA	Nut Hex 1/2-13	
80	2620-320	1	EA	Nut Center Lock 1/2-13	
85	2620-411	10	EA	Nut Hex Flange Lock 5/16-18	
95	1150-065	1	EA	Manual	
99	2600-657	1	EA	Key # 16120 Fort Lock	
100	1150-008	2	EA	Chain Adj. Spacer Model 1150	
105	1100-107	1	EA	Bracket-End, Rail Assy 1100	
106	1100-050	1	EA	Bracket T Model 1100	
107	1100-040	1	EA	Bracket Upper Door Model 1100	
108	1100-041	1	EA	Bracket Lower Door Model 1100	
109	2600-872	1	EA	Bushing Bronze 1/2IDx3/4ODx3/8	
110	1100-115	1	EA	Bracket Lock Pin Cover	
111	1100-116	1	EA	Bracket Lock Pin Base	
112	4001-035	1	EA	Lock N16058BDxSFx2K Key 16120	
113	1702-510	1	EA	Cam FL BF0816	
114	2600-310	1	EA	Carrier Model 1100 UHMW	
115	1100-049	1	EA	Locking Pin Model 1100	
116	1100-046	1	EA	Release Ring	
117	1100-048	1	EA	Spring 1.190"l x 0.984"d	
118	2620-328	1	EA	Nut Center Lock 5/16-18	
119	2615-159	1	EA	Bolt Hex Head 5/16-18 x 3"	
120	2620-028	2	EA	Washer 5/16" USS	
124	2615-153	2	EA	Bolt Hex Head 5/16-18 x 3/4	
126	2615-181	1	EA	Bolt Hex Head 1/2-13 x 1 1/2	
128	2600-807	1	EA	Spirol Pin 3/16D x2.0L Stainls	
130	2616-343	4	EA	Screw Phillips Head 8-32x1 1/4	
131	2616-000	4	EA	Screw Phillips Head 6-32 x 1/4	