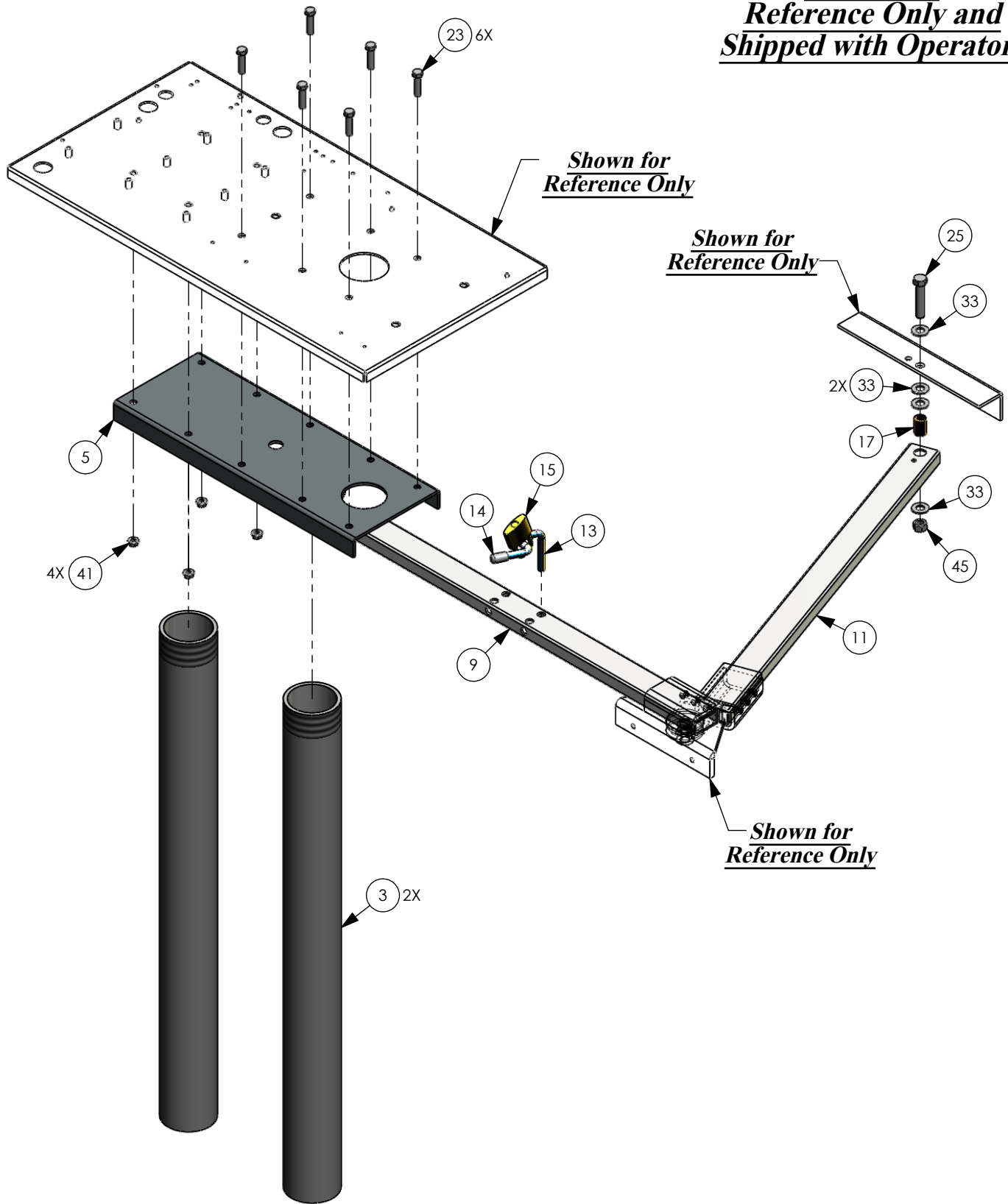



REV	DESCRIPTION	Drawn	APPR
E	Added Items 14 & 47 Manual & Cap.	Sal 11/21/08	D.C. 11/21/08

***Shown for  
Reference Only and  
Shipped with Operators***



1. See attached reference sheet for BOM; Reference Movex 2600-263 Rev E.

Notes: Unless Otherwise Specified.

<b>PROPRIETARY AND CONFIDENTIAL</b> THE INFORMATION CONTAINED IN THIS DRAWING IS THE SOLE PROPERTY OF Door King. ANY REPRODUCTION IN PART OR AS A WHOLE WITHOUT THE WRITTEN PERMISSION OF Door King IS PROHIBITED.	DRAWN	NAME	DATE	 <b>IPB-Post Mount, 2600-263 6300 Swing Gate Operator</b>	REV	
	CHECKED	Sal	07/15/08		E	
	COMMENTS:				SIZE	
					Scale: None	DWG. NO.
				6300-863	SHEET 1 OF 2	

Item	Part Number	Qty	UM	Description	REV
1	6300-863	1	EA	IPB-Post Mount 6300 Swing Gate Operator	E
3	2600-261	2	EA	Pipe Legs 630 3.5"OD x36"	
5	2600-744	1	EA	Base Pipe Mounting Model 630	
9	2600-716	1	EA	Crank Arm Model 610 605 Blk	
11	2600-714	1	EA	Connecting Rod 1" x 2" x 60"	
13	2600-179	1	EA	Release Handle 6050,6100,6300	
14	1514-020	1	EA	Cap Plastic Antenna	
15	2600-767	1	EA	Lock Padlock Brass B745C	
17	2600-054	1	EA	Spacer 3/4OD x 1/2ID x1 1/8L	
23	2615-055	6	EA	Bolt Hex Head 3/8-16 x 1 1/2	
25	2615-084	1	EA	Bolt Hex Head 1/2-13 x 2 1/2	
33	2620-021	4	EA	Washer 1/2 " SAE	
41	2620-411	4	EA	Nut Hex Flange Lock 5/16-18	
45	2620-320	1	EA	Nut Center Lock 1/2-13	
47	6300-063	1	EA	Manual Installation	