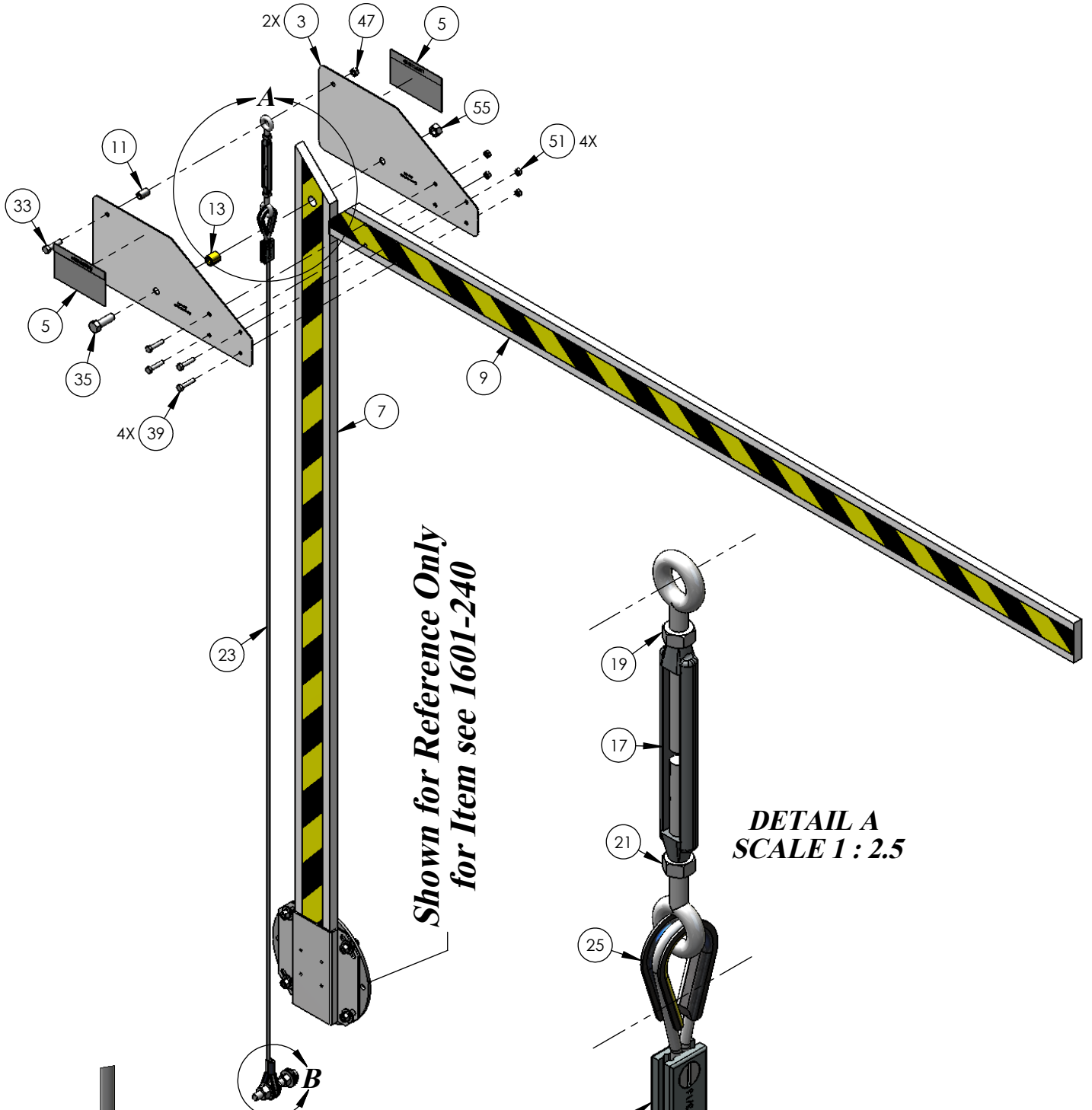
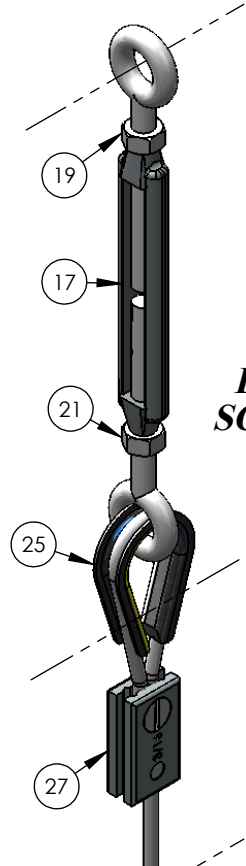


REVISIONS

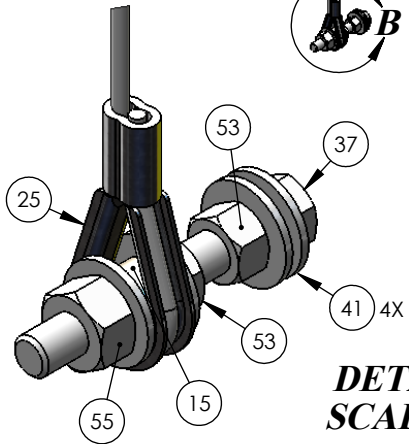
| REV | DESCRIPTION | DATE | APPR |
|-----|----------------------------------|-----------------|------------------|
| E | Revised & Redrawn on SolidWorks. | Scf 11/08/08 | D.C. 11/08/08 |



*Shown for Reference Only
for Item see 1601-240*



DETAIL A
SCALE 1 : 2.5



DETAIL B
SCALE 1 : 2

1. See attached reference sheet for BOM Reference Movex 1601-084 Rev E.

Notes: Unless Otherwise Noted.

PROPRIETARY AND CONFIDENTIAL
THE INFORMATION CONTAINED IN THIS DRAWING IS THE SOLE PROPERTY OF Door King.
ANY REPRODUCTION IN PART OR AS A WHOLE WITHOUT THE WRITTEN PERMISSION OF Door King IS PROHIBITED.

**Arm Folding Wood
Model 1601-084**

| | | |
|------------------|-----------------|-----------------|
| SIZE A | DWG 1601-884 | REV E |
| SCALE: 1:32 | | SHEET 1 of 2 |

| Item | Part Number | Qty | UM | Description | Rev |
|-------------|--------------------|------------|-----------|--------------------------------------|------------|
| 1 | 1601-884 | 1 | EA | IPB-Model 1601-084, Arm Folding Wood | E |
| 3 | 1601-128 | 2 | EA | Plate Folding Arm Wood | |
| 5 | 2599-035 | 2 | EA | Label 1601 Warning | |
| 7 | 1601-118 | 1 | EA | Arm Wood Folding Opr End Assy | |
| 9 | 1601-119 | 1 | EA | Arm Wood Folding Extend Assy | |
| 11 | 1601-173 | 1 | EA | Bushing Steel 1/2 x 5/16 x 13/16L | |
| 13 | 2600-873 | 1 | EA | Bushing Bronze 3/4 OD x 1/2 ID x .81 | |
| 15 | 2600-147 | 1 | EA | Spacer Steel .75 OD x .53 ID x .56L | |
| 17 | 1601-122 | 1 | EA | Turnbuckle Stainless | |
| 19 | 1601-126 | 1 | EA | Nut 8x1.25mm RH Stainless | |
| 21 | 1601-127 | 1 | EA | Nut 8x1.25mm LH Stainless | |
| 23 | 1601-121 | 1 | EA | Cable Steel | |
| 25 | 1601-124 | 2 | EA | Thimble Eye Bare End | |
| 27 | 1601-123 | 1 | EA | Cable Clamp | |
| 33 | 2615-030 | 1 | EA | Bolt Hex Head 5/16-18 x 1 1/4 | |
| 35 | 2615-181 | 1 | EA | Bolt Hex Head 1/2-13 x 1 1/2 | |
| 39 | 2615-007 | 4 | EA | Bolt Hex Head 1/4-20 x 1 1/4 | |
| 41 | 2620-030 | 4 | EA | Washer 1/2 USS | |
| 47 | 2620-328 | 1 | EA | Nut Center Lock 5/16-18 | |
| 51 | 2620-340 | 4 | EA | Nut Center Lock 1/4-20 | |
| 53 | 2620-420 | 2 | EA | Nut Hex 1/2-13 | |
| 55 | 2620-320 | 2 | EA | Nut Center Lock 1/2-13 | |